



**AGRISEM**<sup>®</sup>  
INTERNATIONAL

USER'S MANUAL AND SPARE-PART LIST

DISC-O-SEM  
DSF1500/2000 - DS750/1000



Send us back this guarantee certificate within 15 days with an invoice copy enclosed



AGRISEM INTERNATIONAL S.A. « Beaucé » 44 850 LIGNE – France – Tél. : 02.40.77.40.48 – Fax : 02-40-77-45-45

NOTT-AN-574-A

01/04/2008





***To be returned on reception of the machine***

Dealer
Name
Address
Tel
Code Nb

Owner
Nom
Address
Tel

Type of machine	
Working width	
Serial number of the machine	
Delivery date to the user's place (join a copie of invoice and dealer's delivery note)	
Tractor description and horse power	
Type of soil, clay %	
Surface area of farm	

Date : ..... / ..... / .....

Customer's signature and client's stamp

Dealer's signature and dealer's stamp

We are fully aware of, and accept, the contents of the instruction manual and we hereby adhere to the clauses of the guarantee.



# DECLARATION OF CONFORMITY TO « MACHINE » REGULATIONS

	<b>AGRISEM</b> <sup>®</sup> INTERNATIONAL	
"Beaucé" F - 44850 LIGNÉ - Tél. 33 (0)2.40.77.40.48 Fax. 33 (0)2.40.77.45.45		
<input type="checkbox"/> MODELE	<input type="text"/>	
N° DE SERIE	<input type="text"/>	
MATERIEL FABRIQUE SOUS LICENCE		

The above-named constructor certifies that the hereby designated new material:

## DISC-O-SEM

Conforms to the dispositions of the modified "machines" regulations (regulation 98/37/CE) and the national legislations transposed.

Signed in Ligné, France,

18 February 2008



Michel EVIN  
Managing Director

## SUMMARY

---

<b>SUMMARY</b> .....	<b>1</b>
<b>INTRODUCTION</b> .....	<b>3</b>
<b>GUARANTEE CONDITIONS</b> .....	<b>4</b>
<b>CORRECT USE OF THE MACHINE</b> .....	<b>7</b>
<b>SAFETY INSTRUCTIONS</b> .....	<b>8</b>
<b>GENERAL SAFETY RULES</b> .....	<b>10</b>
<b>USING YOUR DISC-O-SEM</b> .....	<b>11</b>
1.1. DESCRIPTION.....	11
1.2. PREPARATION FOR USE .....	11
1.3. COUPLING UP TO THE TRACTOR.....	11
1.4. ADJUSTMENT .....	11
1.4.1. Working width of the element .....	11
1.4.2. Depth adjustment .....	11
1.5. REPAIR AND MAINTENANCE .....	11
1.5.1. Oiling .....	11
1.5.2. Discs .....	12
1.5.3. Wearing parts .....	12
1.6. ADVICE FOR OPTIMAL USE .....	13
<b>PNEUMATIC SEED DRILL</b> .....	<b>15</b>
1.1. TECHNICAL CHARACTERISTICS DS750/1000.....	15
1.2. TECHNICAL CHARACTERISTICS DSF1500/2000.....	15
1.3. START-UP OPERATION OF THE METAL YELLOW TURBINE (DS750).....	15
1.3.1. Connection of the three hoses .....	15
1.3.2. Adjustment of pump type.....	16
1.3.3. Start-up operation for turbine motor .....	16
1.3.4. Adjustmet of turbine motor speed .....	17
1.4. START-UP OPERATION OF THE TURBINE CRARY (DSF).....	17
1.4.1. Connection of the two hoses .....	17
1.4.2. Adjustment of regulator for the turbine Crary .....	18
1.4.3. Start-up operation for turbine motor .....	18
1.4.4. Adjustmet of turbine motor speed .....	19
1.5. HOPPER .....	19
1.5.1. Hopper DS750.....	19
1.5.2. Hopper DSF1500.....	19
1.5.3. Filling the hopper.....	19
1.5.4. Emptying the hopper.....	20
1.6. DISTRIBUTION.....	20
1.6.1. Description.....	20
1.6.2. Adjustment of grain deliverty rate for 3m and 4m (Box r = 12/17 and pinion 16 teeth).....	22
1.6.3. Adjustment of grain deliverty rate for 5m and 6m (Box r = 12/17 and pinion 32 teeth).....	24
1.6.4. Adjustment of grain deliverty rate for 3m and 4m (Box r = 12/34 and pinion 16 teeth).....	26
1.6.5. Adjustment of grain deliverty rate for 5m and 6m (Box r = 12/34 and pinion 32 teeth).....	27
1.6.6. Verification of grain deliverty rate.....	28
1.7. DRIVING WHEEL .....	29
1.8. DISTRIBUTION HEAD.....	30
1.9. TURBINE .....	27
1.9.1. Hydraulic connections.....	31
1.9.2. Adjustment of turbine system.....	31
1.10. TEST BEFORE SOWING .....	31
1.11. OPERATIONAL ADVICE .....	32

<b>DISTRIBUTION SPARE PARTS .....</b>	<b>34</b>
DISTRIBUTION – Ø90 .....	35
GROOVED FEED DRILL SECTION KIT .....	37
DRIVING AXLE KIT .....	39
SMALL GROOVES SEALING KIT .....	41
LARGE GROOVES SEALING KIT .....	43
STIRRED KIT .....	45
GROOVED FEED DRILLS SECTION COMMAND KIT .....	47
ROTATION GUIDE FOR GROOVED FEED DRILLS SECTION KIT .....	49
VENTURI NOZZLED KIT – Ø90 .....	51
GROOVED FEED DRILLS SECTION CLOSURE KIT .....	53
SEALED FLAP KIT .....	55
SEALING SELECTOR KIT .....	57
SPOUT KIT .....	59
EMPTYING TRAP KIT .....	61
RIGHT-HAND GROOVED FEED DRILLS CASING KIT .....	63
LEFT-HAND GROOVED FEED DRILLS CASING KIT .....	65
DOSING TRAP KIT – Ø90 .....	67
HOOD KIT .....	69
BOX r=12/17 .....	71
BOX r=12/34 .....	73
<b>SEED DRILL SPARE PARTS (DSF1500) .....</b>	<b>75</b>
SEED-DRILL FRAMEWORK KIT DSF1500 .....	79
HOPPER KIT 1500L .....	81
EXTENSION KIT .....	83
SUN WHEEL ARMS KIT DSF .....	89
SUN WHEEL HYDRAULIC MOUNTING SYSTEM KIT .....	91
SUN WHEEL MOUNTING SYSTEM KIT .....	93
MANOMETRE KIT FOR DSF1500 .....	95
FRONT HOPPER EXTENSION KIT .....	97
HOSE FRONT HOPPER KIT .....	99
DISTRIBUTION DRIVE KIT DSF1500-24 .....	101
DISTRIBUTION DRIVE KIT DSF1500-16 .....	103
ROAD SIGNALLING KIT FOR DSF1500 .....	105
DOUBLE DISTRIBUTION HEAD SUPPORT KIT 1M50 .....	107
DISTRIBUTION HEADS SUPPORT BUCKLE GUY KIT .....	109
<b>SEED DRILL SPARE PARTS (DS1500).....</b>	<b>112</b>
SIMPLE SEED-DRILL KIT DOM-S .....	113
SEED-DRILL FRAMEWORK KIT DOM-S-RIGID .....	115
HOPPER KIT WITHOUT EXTENSION .....	117
EXTENSION KIT .....	119
SUN WHEEL ARM FOR DOM .....	121
SUN WHEEL SUPPORT (beam 120) .....	123
CARDAN KIT .....	125
SPIRAL HOSES KIT FOR DS750 .....	127
HOSES KIT .....	129
DISTRIBUTION HEAD SUPPORT KIT– Ø90 .....	131
<b>COMMON SPARE PARTS FOR PNEUMATIC SEED DRILLS .....</b>	<b>134</b>
TURBINE KIT WITHOUT DRIVING SYSTEM .....	135
TURBINE HYDRAULIC SYSTEM KIT 14cm <sup>3</sup> .....	137
TURBINE HYDRAULIC SYSTEM KIT 16cm <sup>3</sup> .....	139
SEED DRILL HYDRAULIC SYSTEM KIT DS750 .....	141
VERTICAL BELLOWS .....	143
CRARY HYDRAULIC SYSTEM KIT .....	145
HYDRAULIC HOSES KIT .....	147
CONNECTION KIT .....	149
SIMPLE DISTRIBUTION DRIVE KIT .....	151
DISTRIBUTION KIT Ø90 – 16 x Ø35 .....	153
DISTRIBUTION KIT Ø90 – 24 x Ø35 .....	155
FIELD MARKING KIT FOR DSF1500 .....	157

## ***INTRODUCTION***

---



You must return the guarantee certificate within 2 weeks from the date of delivery to the final client

You are the owner of a **DISC-O-MULCH**. This machine has been designated to give you complete satisfaction.

This equipment is the result of research into new solutions aimed at reducing costs.

In order to get the most out of your **DISC-O-MULCH**, please read your manual with care and follow, the maintenance and adjustment advice carefully.


Your dealer remains at your disposal for information on any particular point, so please don't hesitate to contact him.

In the interest of improvement, **AGRISEM INTERNATIONAL** reserves the right to modify their products, but in so doing they are not under obligation to reproduce these modifications on existing models.

Likewise, characteristics in this manual can be modified without notice and adjustment procedures and subsequent use, which is indicative, can not be under our responsibility.

---

### Marks signification :

Marks:  designate a kit.

Marks:  designate a part.



## ***GUARANTEE CONDITIONS***

---

These guarantee conditions are only applicable to **machines exclusively equipped with original AGRISEM INTERNATIONAL parts**, « Beaucé », 44850 LIGNE, FRANCE; they are as follows:

### VALIDITY TIME

- If a fault is noticed on any structural part of the machine in the **6 months** following delivery and if this fault is due to a raw material defect or due to fabrication procedures at the factory. The parts presumed faulty should be returned to the company for appraisal.

Proof of delivery:

- The date on the delivery note and the owner's invoice.
- The return of the guarantee certificate within 15 days of delivery (signed and stamped by the dealer and the owner).

### CONCERNED MACHINES AND PARTS

As concerns the guarantee, the term "Machine" is designated exclusively for new machines and parts manufactured by AGRISEM INTERNATIONAL. It does not include outside components such as tyres, flexible hydraulic tubes etc even though these parts are also provided by the company.

- **The guarantee will be rendered null and void if any modifications are carried out on the machine without the formal agreement of AGRISEM INTERNATIONAL or if parts other than those produced by the company are used on the machine (eg. Counterfeit parts).**

### GARANTEE LIMIT

The guarantee is limited to refunding or repair of the faulty parts with material or finishing in our factory and by our technical service.

- Costs relating to dismantling and replacement of the faulty part are not covered by the guarantee nor are the transport costs for the machines or machine-parts to the repair site and back.

### PRE-REQUEST

**The maintenance and use of the machine have to conform to indications of the User's Manual.**

**All the security measures mentioned in this User's Manual and the User's Manuals for the complementary equipment have to be respected.**

All the protection and safety components as well as dangerous parts (e.g. shock-absorber) have to be routinely inspected and replaced if necessary.

### GARANTEE EXCLUSIONS

- Naturally the guarantee does not apply to :
  - Faults due to wear and tear, misuse, lack of maintenance
  - Accident-damage or use not consistent with usual functions.
  - Faults due to a downtime of the machine
  - Damage incurred during transport and manipulation by whichever Transport Company. It is the addressee who must act as necessary as regards the transporters in such a situation.
  - Injuries to the owner or a third person, nor the indirect consequences as a result
  - Damage incurred because of a breakdown of an instrument due to a defect or incident with the machine.

PROCEDURE OF THE GARANTEE APPLIANCE: MUST TO BE RESPECTED BY THE DEALER AND THE USER

The company’s responsibility concerning the guarantee is dependent on the strict respect by the dealer and the user of the following regulations:

A) **THE RETURN OF THE GUARANTEE CERTIFICATE BY THE DEALER, DULY FILLED-IN AND SIGNED BY THE DEALER AND THE OWNER.**

B) The recourse must imperatively be formulated on the **AGRISEM INTERNATIONAL GUARANTEE RECLAMATION FORM** and sent by the dealer to the company’s technical service, by recorded delivery, with an acknowledgement of receipt, within a delay of one month following the incident. The reclamation form must be clearly filled in by the dealer and include the following information:

- Name and address of the dealer, client code,
  - Name and address of the owner,
  - Type of machine,
  - Working width,
  - Serial number of the machine,
  - Delivery date to the owner,
  - Date of the problem,
  - **Precise references of replaced parts, with invoice number and date,**
  - **Make and type of used tractor,**
  - Detailed description of presumed causes of incident,
  - Surface area worked by machine,
  - Surface area of farm,
  - Type of soil clay %,
  - Invoice for the wearing parts
- stoney                       yes                       no
- changed parts                      yes                      no (send the copy of the invoice by fax)

C) **The parts presumed faulty should be returned to the company for appraisal** along with a duplicate of the guarantee reclamation form as proof. **The dealer has to order a new part instead of fault one.** The consecutive transport costs necessary to return the above-said parts are the responsibility of the sender.

D) **The technical director or managing director of the company** will make the final decision as regards the reclamation. This decision, regardless of the object of the guarantee appeal, is irreversible and the buyer must undertake to accept the decision regarding the defect, its replacement or that of certain parts.  
The Company salesmen are not competent to make such a decision and if they do so, it could be considered null and void.

*NOTA: In case of refusal, the part remains at the disposition of the client for 8 days, after this delay it will be scrapped with no appeal possible.*

The machine dealers have no right or power to take any decision whatsoever, on purpose or otherwise, in the name of the company.

.....

**EXCLUSIVE RESPONSIBILITY CLAUSE**

AGRISEM can not be held responsible if the user did not respect the safety instructions mentioned in this User's manual.

AGRISEM can not be held responsible for injuries to the owner or a third person, neither the indirect consequences as a result caused or non by the damage. The security distance of 50 m has to be respected anyway.

AGRISEM cannot be held responsible for damage caused by a breakdown of an instrument due to a defect or incident with the machine

.....

**TECHNOLOGICAL EVOLUTION**

Concerned with the constant improvement of its products, AGRISEM INTERNATIONAL reserves the right to modify them, with no obligation of reproducing the improvements on existing models.

Furthermore, due to the constant evolution of techniques, no guarantee can be given as regards the description of materials in all documentation produced by the company.

Besides, the pictures presented in this document are not contractual because the machines and the parts might be slightly modified.

.....

## ***CORRECT USE OF THE MACHINE***

---

The AGRISEM INTERNATIONAL DISC-O-SEM products must only be used for the work they are destined for.

### **STUBBLE-BREAKING OF ARABLE SOIL IN STANDARD CONDITIONS**

In the case of damage due to use of the machine for work outside the constructor's specifications, the constructor can not be held responsible.

The correct use of the machine also implies:

- The respect of regulations of use, maintenance and upkeep as stated by the constructor,
- Exclusive use of replacement parts, accessories and original equipment appointed by the constructor.

The DISC-O-SEM must only be used, maintained and repaired by people competent to do so, familiar with the characteristics and the way to use the machine. The above said people should be aware of the possible risks to which they are exposed.

The user must strictly comply with all regulations regarding:

- Accident prevention.
- Safety at work (labour laws).
- Driving on the road (Highway Code).

He has the obligation to observe all warnings concerning the machine. All modifications made by the user or any other person without the written agreement of the constructor disengages all responsibility of the constructor should damage result.

The AGRISEM INTERNATIONAL seed drills have been conceived for working only with AGRISEM equipment. They can be combined with other machines. In such a case AGRISEM INTERNATIONAL can not be held responsible for any material and/or immaterial damage or injuries.

---

## ***SAFETY INSTRUCTIONS***

---

Most accidents that happen while working, during maintenance or when displacing a machine are due to non-observance of elementary security regulations. Consequently, it is imperative that all people likely to work with this machine strictly respect the following fundamental rules and likewise the safety instructions stipulated on the stickers placed on the DISC-O-SEM.

1. Before all operations make sure that the DISC-O-SEM is on a stable surface.
2. This DISC-O-MULCH was conceived for precise work, it must always be in perfect working order and only be repaired with original AGRISEM INTERNATIONAL parts.
3. All necessary precautions must be taken when adapting working parts that are heavy or sharp.
4. Verify that the machine respects personal safety.
5. Verify tightness of screws and bolts before each use.
6. Verify that the DISC-O-SEM is coupled correctly.
7. Ensure that the tractor has sufficient ballast at the front before all work, in order to avoid any risk of tipping up; if necessary add ballast to the front of the tractor.
8. Distance all people from the manoeuvring area of the DISC-O- SEM.
9. Never transport anybody on the DISC-O- SEM or its complementary tools during work or displacement.
10. Be aware of hidden obstacles (stones, roots, tubing, cable, etc) if an incident occurs, STOP IMMEDIATELY, and find the cause.  
  
NB: If the obstacle is an electric cable or gas-line, alert the authorities competent to deal with it.
11. Never leave the tractor unless the DISC-O- SEM is resting on the ground, brakes on, motor off and the key out of the ignition.
12. Never adjust or repair anything unless the tractor motor is stopped and the machine is resting on the ground.
13. Before driving on the road, the user must ensure that the instrument is coupled correctly and visible, in respect of the Highway Code.
14. Verify the correct type-pressure on your tractor.
15. On rough ground or tight turns reduce your speed.
16. Before any displacement, even short distances, verify the balance of the tractor and complementary material. Never drive over 25 Km/h when loaded
17. Get in to the machine only by the gangway designed for this purpose.
18. Ensure that nobody stays on the seed drill during the transportation
19. Be aware there are no people on the seed drill and in the nearest area during the seed loading. The gangway must be only used at stops.
20. Be sure that all the sections that might be blocked up with seed are cleaned.
21. Verify is the hydraulic hoses for quick connection to the seed drill and to the tractor are clean before connecting them.

22. Don't stand under the sun wheel when it is in the transport position.
  23. During transportation be especially aware. As the rear visibility is restricted when moving you must ensure that there is no obstacle before backing away. When driving on the roads the driver/owner is the only responsible in case of accident.
  24. As there is a risk of rejects you have to keep the safety area of 50 m when working.
  25. During the tests of rejects you have to keep the safety area of 50m when working.
  26. During the tests of the seed drill at stops the safety area has to have the perimeter of 15 m (putting in operation of hydraulics systems, turbine, disc markers...) and the rear window of the tractor must be closed.
  27. As for the front hopper, the user has to respect the Highway Code of its country.
  28. Let the machine get cold before any intervention to the hydraulic system.
  29. When you put in operation the turbine, respect the security perimeter because of the reject risk.
  30. When testing the distribution delivery, the user has to turn the sun wheel carefully to avoid the risk of injury. When rotating the wheel distance everybody at 15m from the machine.
-

## ***GENERAL SAFETY RULES***

---

- **Never let children** climb on the tractor or play close to the equipment, even when the machine is stopped ;
  - On delivery of a machine (new or second-hand) insist on the provision of the **user's manual** and the **certificate of conformity to the Labour code** and thereon respect the constructor's instructions ;
  - Make sure that the DISC-O-SEM and its complementary material does not hide the tractors rear lights ;
  - If necessary provide your equipment with **reflective signalization** panels or complementary luminous indicators ;
  - Clear the highway of any mud left by the tractor or tools ;
  - Be aware that soil-working equipment, however narrow, presents a real danger (cutting-edge blades, ploughshares, discs...) and can be fatal in an accident ;
  - Wear safety shoes and gloves when manipulating sharp parts ;
  - If the equipment is not already provided with, anticipate means of signalization: **illumination ramps, catadioptrics, plates or bands of reflective stickers**. Long or large equipment must imperatively have a signalling system when the tractor's rear lights are hidden ;
  - Always employ **split pins and blocking systems** ;
  - For exposed metal parts, use an anti-rusting product or grease
  - **During the work the driver must ensure that nobody is in the manoeuvring area of the machine. He cannot leave the tractor unless the machine is completely stopped, brakes on and motor off**
-

## **DISC-O-SEM USE**

---

### **1.1 DESCRIPTION**

The DISC-O-SEM framework can be equipped with a variety of main portions. Each portion is supplied with replaceable wear and tear discs. The discs' working depth is controlled by the depth-control device with the tractor coupling and an AGRISEM roller.

### **1.2 PREPARATION FOR USE**

When you receive your DISC-O- SEM, verify that its characteristics are suitable. Then, carry out the preliminary operations for starting up, as indicated in this manual.

### **1.3 COUPLING UP TO THE TRACTOR**

1. Reverse (or advance) the tractor in order to couple-up with the DISC-O- SEM which should be staying on a stable surface.
2. Place the inferior mounting arms in line with the coupling caps.
3. Couple-up the inferior mounting arms by means of the appropriate device.
4. Adjust the length of the 3d point link then fix in place with the supplied shaft and clip.
5. To unfasten the DISC-O- SEM, do the preceding operations in reverse order and ensure that the machine is on a stable surface.
6. During coupling-up or unfastening, nobody should remain between the tractor wheels and the DISC-O- SEM.
7. Connect the hydraulic hoses following the constructors' instructions.

### **1.4 ADJUSTEMENT**

#### **1.4.1. Working width of an element**

- The DISC-O- SEM is delivered with a pre-adjusted distance between each disc.

#### **1.4.2 Depth adjustment**

- Put the elements in their working position.
- Adjust the depth by manipulating the shafts of the multistop system when your tool is equipped with a roller.

### **1.5 MAINTENANCE AND REPAIR**

Before beginning any maintenance operation or oiling, make sure that the safety instructions have been followed. Before adjustments or verification, make sure the DISC-O- SEM is in horizontal and stable position. Block the machine if necessary.

#### **1.5.1. Oiling**





The rollers (cages, Agrix®, Flexi-Sem®) are fixed by means of two self-aligning blocks which provide grease. For the auto-alignment function correctly the blocks should be greased at the start of each new season and regularly throughout the season.

The grease used is lithium based grease reinforced with molybdenum bisulphide / NLGI2 grade. AGRISEM INTERNATIONAL can not be held responsible when any other type of grease is used.



### 1.5.2. Discs

⇒ The discs must be replaced as soon as their diameter reaches the following values.

Disc diameter	maximum diameter of wear and tear
<b>Ø 460</b> 	<b>Ø400</b>
<b>Ø510</b> 	<b>Ø440</b>
<b>Ø560</b> 	<b>Ø480</b>
<b>Ø610</b> 	<b>Ø520</b>



Don't never work in sowing position when the rear row discs of the DOM are Ø610

AGRISEM INTERNATIONAL can not be held responsible if the DISC-O-SEM is used with discs that have a level of wear and tear superior to that specified.

⇒ To replace the discs :

- Lift the DISC-O- SEM about 15 cm off the ground and block it in that position with the tractor motor stopped and the parking brake on.
- Remove the damaged disc.
- Put a new one.



The recommended pressure of the screw when mounting the discs is 250Nm.

Regular tightening of the bolts

You must tighten the bolts and the screws of the DISC-O- SEM every time before using.



Use only the original AGRISEM INTERNATIONAL parts.

### 1.5.3. Wearing parts

All the parts are made from specially treated steel, thus it is not advisable to solder them or else the thermal treatment loses its efficiency.

## 1.6 ADVICE FOR OPTIMAL USE

- Before all usage, make sure that all safety instructions are followed and that the machine has been greased and maintained correctly.
- When the soil humidity is great, slipping could degrade the superficial soil structure. It is better to use a tractor with four-wheel drive to reduce sliding.



For road transport remember to retract the lateral apron and dismantle the end disc

- Adapt your working speed to the type of soil and chosen working depth.



Work only in a straight line and never turn the machine when in the soil

Respect the following working depths:

- Stubble-breaking from 1 to 5 cm.
- Before beginning work verify the following:
  - Are the working parts in good condition and fixed correctly?
  - Is there enough ballast on the front of the tractor to lift the DISC-O-SEM ?
  - During use verify that the DISC-O- SEM is correctly coupled and perfectly horizontal when working, in the longitudinal and transversal sense.
  - If required, consult your tractor's manual to study all safety aspects and adjustments for raising the tractor in order to optimize the use of your material.
  - Respect the working speed
    - Between 8 and 18 Km/h on the soil without stones
    - Between 8 and 12 Km/h on the soil with stones



All the Disc-O- SEM must only work on the arable soil without any outside obstacles (e.g. ropes, cords...)

- **WHEN USING THE DISC-SEM VERIFY THAT ALL THE SOWING UNITS ARE FUNCTIONING EQUALLY.**
- CHECK THE SEED OUTLET OF THE SOWING UNITS AND MAKE THE VISUAL CONTROL OF THE WHOLE MACHINE BEFORE BEGINNING TO WORK

THE OPERATION: TURN THE WHEEL 3 TIMES AND CHECK THE UNIFORM SEEDS DISTRIBUTION BETWEEN THE SOWING UNITS. MAKE SURE THAT THE TUBES ARE NOT CLUTTERED AND THE SEED IS SPILLED OUT EQUALLY. THE SEED HAS TO BE DISTRIBUTED EVENLY BETWEEN ALL SOWING UNITS. THIS OPERATION HAS TO BE REPEATED EVERY HECTARE.



THE TRACTOR MOTOR HAS TO BE STOPPED

- Sowing depth control

You can adjust the sowing depth with the rear roller. Make a sowing test through 50 m with the wanted working speed and check the sowing depth.

If this depth does not conform to your need, adjust the rear roller again until you have a necessary depth. Check it at the reached working speed. When the working speed is under 8 km/h, the depth is not regular.

The control of the sowing units and of the depth is imperative after any new setting up of the machine.



WHEN THE HOPPER IS PLACED ON THE MACHINE WITH DISCS THE SOWING DEPTH VARIES DEPENDING ON THE HOPPER FULLNESS. SO, YOU HAVE TO ADJUST THE DEPTH REGULARLY.

- CHECK THE SEED

YOU HAVE TO STOP THE MACHINE EVERY HECTARE AND CHECK IF THE SEED ARE DISTRIBUTED EVENLY ON THE SOIL OF THE BAND.

- CROSSING ADJUSTMENT WITH/WITHOUT TRACTOR

TO AVOID THE LACK OR SUPERPOSITION OF THE SOIL YOU HAVE TO TAKE INTO CONSIDERATION THE LAST BAND AND NOT THE SOIL PROJECTION FROM THE SECOND RANG OF DISCS. FOR DOING THIS YOU HAVE TO GET OUT OF THE TRACTOR AND VERIFY THE POSITION OF THE LAST BAND OF SOWING.

When adjusting the discs markers you have also to verify the seed emplacement of the last band of sowing.

- EMLACEMENT IN PARALLEL WITH THE SOIL

ON THE FIELD YOU CAN ADJUST LONGITUDINAL INCIDENCE WITH THE 3D POINT BEAM OR WITH THE REAR ROLLER.

- You have to remove the road signalling kit when working

SIGNALLING KIT HAS BEEN DEVELOPED ONLY FOR TRANSPORTATION; AGRISEM INTERNATIONAL IS NOT RESPONSIBLE FOR THE SIGNALLING KIT BREAKAGE WHICH CAN HAPPEN DURING THE WORK.

- Advise on DISC-O-SEM use for stubble breaking

You must remover the hopper with its complementary equipment before using the Disc-O-Mulch for stubble breaking. If you keep the hopper on during stubble breaking it might be deteriorated.

The correct use of the DISC-O- SEM optimizes and ensures a good establishment of your crop. The user must make his own decisions and assume the taken risks should his machine be used incorrectly or inappropriately. AGRISEM INTERNATIONAL can not be held responsible for soil degradation or a result which is not up to your expectations when the safety rules and the advise on the machine use weren't respected.

## **PNEUMATIC SEED DRILL**

### **1.1. TECHNICAL CHARACTERISTICS DS750/1000**



Working width :	3m or 4m
Hopper's volume :	750L
Volume extension :	250L
Distribution heads :	2 x 16 outlets
Number of rows :	24 (3m) - 32 (4m)
Distribution :	Stainless steel
Cylinder volume for small grains :	0 – 30,3cm <sup>3</sup>
Cylinder volume for large grains ::	0 – 595,7cm <sup>3</sup>
Speed ratio :	r = 1/2 or r = 2
Turbine drive :	Hydraulic

### **1.2. TECHNICAL CHARACTERISTICS DSF1500/2000**



Working width :	3m, 4m, 5m ou 6m
Hopper's volume :	1500L
Volume extension :	500L
Distribution heads :	2 x 16 ou 2 x 24 outlets
Number of rows :	24 (3m) - 32 (4m) 40 (5m) – 48 (6m)
Distribution :	Stainless steel
Cylinder volume for small grains :	0 – 30,3cm <sup>3</sup>
Cylinder volume for large grains ::	0 – 595,7cm <sup>3</sup>
Speed ratio :	r = 12/17 ou r = 17/12
Turbine drive :	Hydraulic

### **1.3. PREPARATION FOR USE OF THE METAL YELLOW TURBINE (DS750)**

#### **1.3.1. Connection of the 3 hoses**

Connect the couplers of two large hoses to the one of tractor's distributor. (see: **figure N°1**).



**Figure N°1**



**Figure N°2**

Remember which coupler is connecting to the free return of the tractor's hydraulic reservoir (screw-on coupler, valve-mechanism coupler ...) (**see: figure N°2**).

You need an adaptor for connecting the valve-mechanism coupler of the turbine motor drain (small hose) to the free return valve of the tractor hydraulic reservoir (**see: figure N°3**).



**Figure N°3**

Connect the VALVE-MECHANISME COUPLER of the turbine motor drain (small hose) to the free retron adaptor of the tractor hydraulic reservoir (**cf. : figure N°4**).

**ATTENTION** : the turbine motor drain must be connected before any start-up operation of the turbine motor.



**Figure N°4**

#### 1.3.2. Adjustment of pump type for AGRISEM turbine

If the tractor equipped with a variable delivery hydraulic pump you have to turn off the red tap on the turbine control block. In order to do it, turn it clockwise. The central control has to be completely retracted. (**see: figure N°5**).



**Figure N°5**

If the tractor is equipped with a fixed delivery hydraulic pump you have to turn on the red tap on the turbine control block. In order to do it, turn it anticlockwise. The central control has to be completely out. (**see: figure N°6**).



**Figure N°6**

#### 1.3.3. Start-up operation of the turbine motor

Switch on the tractor distributor in its permanently open position. The turbine must be turning.

If it does not, rearrange the two motor supply hoses at the tractor distributor level. (**see: figure N°7**).



**Figure N°7**

Once again switch on the tractor distributor in its permanently open position. The turbine must be turning.

#### 1.3.4. Turbine motor speed adjustment

Switch on the gradual delivery limiter situated on the turbine control block in order to make vary the turbine rotation speed. (see: **figure N°8**).

**ATTENTION** : you cannot operate the delivery limiter when the motor is running.



**Figure N°8**

#### 1.4. PREPARATION FOR USE OF THE CRARY TURBINE (DSF)

##### 1.4.1. Connection of 2 hoses

Connect the pression coupler to one of the simple effect distributor of the tractor (see: **figure N°9**).



**Figure N°9**

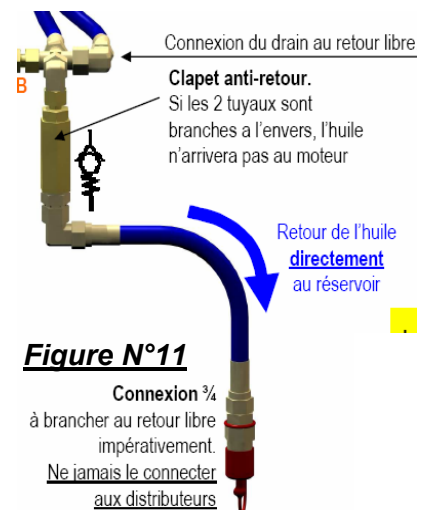
Remember which coupler is connecting to the free return of the tractor's hydraulic reservoir (screws-on coupler, valve mechanism coupler ...) (see: **figure N°10**).



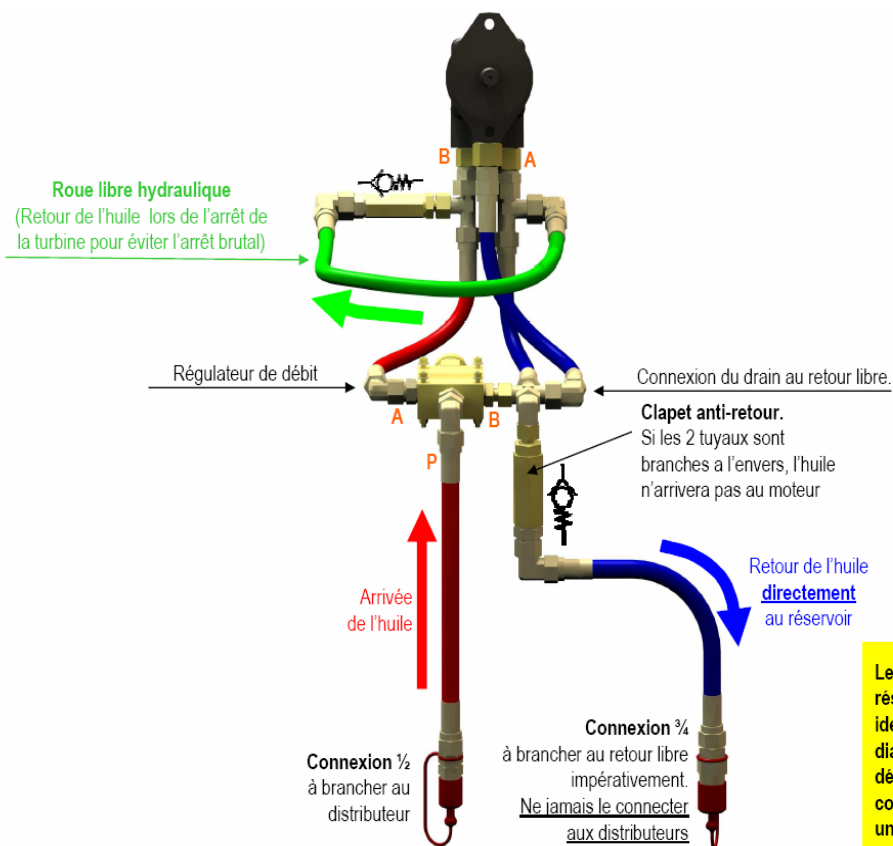
**Figure N°10**

You need an adaptor for connecting the valve mechanism coupler of the turbine motor return line (3/4 hose) to the free return valve of the tractor hydraulic reservoir (see: **figure N°11**).

**ATTENTION** : The return line **MUST** be connected to the tractor reservoir=FREE RETURN before any strat-up operation of the turbine.



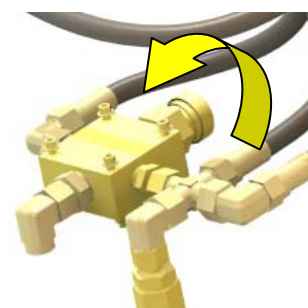
**Figure N°11**



Le diamètre du flexible allant jusqu'au réservoir du tracteur doit impérativement être identique à celui-ci. Aucune restriction de diamètre ne doit être effectuée sous peine de détériorer le fonctionnement de la turbine. Les connexions hydrauliques doivent être uniquement en 3/4.

#### 1.4.2. Turbine Cray regulator adjustment

Completely open the pulley situated on the regulator. In order to do it, turn it clockwise. The oil output will be maximum. (see: **figure N°12**).



**Figure N°12**

#### 1.4.3. Start-up operation of the turbine motor

Switch on the tractor distributor in its permanently open position. The turbine must be turning.

If it does not, control the hydraulic system and check if the return line is on the tractor free return. (see: **figure N°13**).



Once again switch on the tractor distributor in its permanently open position. The turbine must be turning.

**Figure N°13**

#### 1.4.4. Turbine motor speed adjustment

Switch on the gradual delivery limiter situated on the regulator in order to make vary the turbine rotation speed (**see: figure N°14**).

**note** : if the tractor is equipped with regulators on the distributor you should completely open the turbine delivery limiter and regulate the delivery on the distributor. So, the lamination effect will be limited.



**Figure N°14**

### 1.5. HOPPER

#### 1.5.1. Hopper DS750

You can easily access the hopper by a gangway with retractable rung situated behind the DISC-O-SEM. The hopper's cover is hold with 2 rubber buckles (**see: figure N°15**).



**Figure N°15 : Gangway**

#### 1.5.2. Hopper DSF1500

The DSF hopper is made of high density polyamide.

It is covered by a soft roll-up tarpaulin (**see: figure N°16**).



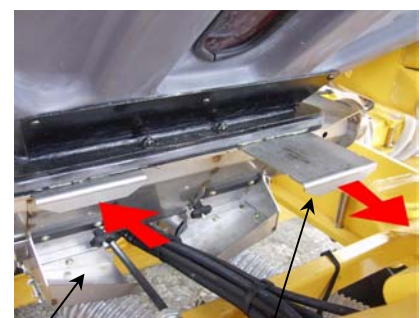
**Figure N°16 : Hopper**

#### 1.5.3. Filling the hopper

Before filling the hopper make sure that the both emptying trap and distribution unit trap are correctly closed. (**see: figure N°17**).

In order to facilitate further delivery adjustment you must also close the 2 traps stopping up the distribution supply conduit. (**see: figure N°17**).

You have also check that the filter inside the hopper is perfectly clean for facilitating the seed movement.



Emptying trap      Hopper trap closing

**Figure N°17 : Distribution**



In order to evaluate the level of remaining grains you can make a visual control through the outer port-holes.

Before sowing, it is necessary to verify that no foreign body does stop up the sowing unit tubes, the distribution and the hopper.

During the hopper filling you have to stop working the turbine and to turn off the ignition.

After the hopper filling check that no foreign body stays in the hopper.

Ensure that the machine is empty, clean and dry before beginning to work.

#### 1.5.4. Emptying the hopper

To empty the hopper, place a recipient under the 2 emptying spouts. Progressively open the 2 emptying traps, one after the other, in order to increase the rate of flow.

Once the hopper is empty, withdraw any grains left in the distributor, with a paint brush or a similar tool, then close the traps.

If you have only few grains or fertilizers left at the end of work, you can empty the hopper by the sample taking tanks.

After that you can clean the grain tank with the compressed air.

Clean the machine thoroughly at the end of every working period.

The grains cannot stay inside the hopper for a long time.



*Do NOT use high-pressure tools to clean the inside of the distributor*



After use, systematically empty and clean the hopper and the grooved feed drills, then store the machine in a sheltered place.

## 1.6. DISTRIBUTION

### 1.6.1. Description

- Distribution control

Every day ensure that the blowing off and the oiling of the distribution function correctly

Each hopper has a volumetric distribution system, consisting of 2 identical distribution canals (*see : figure N°18*). The dose modulation is carried out by the lateral movement of the grooved feed drills, driven by an elliptic crank. This section of grooved feed drills consists of, asymmetrically:

- 2 larges grooves (large grains),
- 2 small grooves (small grains),
- 2 dosing cylinders.



***Figure N°18 : Volumetric distribution***

The rotation of the crank combined with an indicator, allows the user to visualize on the graduated scale (mm) the length of the grooved feed drill being used.

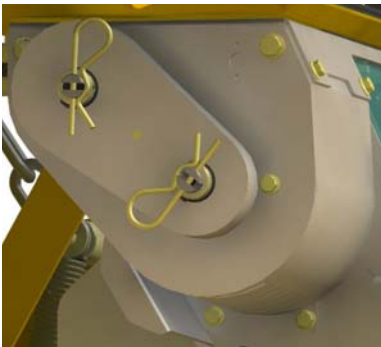
The graduated scale has two zones:

- positive: large grooves delivery (between 0 and 96mm)
  - negative: small grooves delivery (between 0 and -16mm)
- ☞ The value 0 corresponds to the neutral position when there is no movement.



*All reduction of delivery : large or small grooved, must be preceded by the emptying of the distributor. If this is not carried out, you will be taking a great risk*

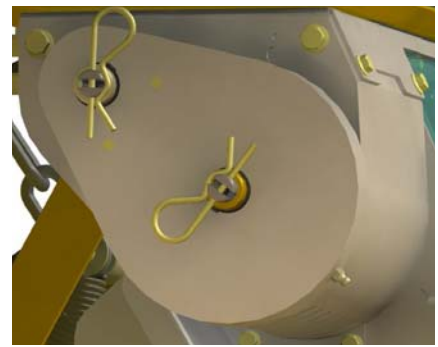
The removable box situated on the side of the distributor provides a 2 speed ratio (**see: figure N°19 and N°20**). Optionnaly, you can have a 3d ratio for the small grains by means of a special box. (**see: figure N°21**).



**Figure N°19**



**Figure N°20**



**Figure N°21**

For changing the speed ratio just pull out the 2 beta splint pins, slide the box towards the outside, then put it back adjusting it as regards the 2 axles.

☞. For security reasons, the 2 grooved splint pins facilitating the positioning of the box as regards the 2 axles are of a size that will resist normal torque transmission. If the made effort is too important one of the splint pins will shear.

With a reduced delivery box you will have a more large groove surface, which allows to distribute grains more evenly and to adjust values more precisely.

1.6.2. Adjustment of grain delivery for 3m et 4m (Box r = 12/17 and pinion 16 teeth)

You have to choose your doze of grains referring to the table below depending on the type of grains, on the working width and on the seeding density (kg/ha). You can determine the ratio you will use as well as the scale value (mm).

**Grand/petit débit** – normal/reduced delivery

**Grande/petites cannelures** – Large/small grooves

**Nombre de tours de roue/ha** – Number of wheel turns/ha

**Tableau de dosage (kg/Ha) pour largeur de travail 3m et 4m (Cassette r = 12/17)**

Semence Semilla Seme Seed Saatgut	Blé Trigo Grano Corn Getreide		Seigle Centeno Segala Rye Roggen		Orge Cebada Orzo Barlez Gerste		Avoine Avena Avena Oats Hafer		Pois - Soja Arveja - Soja Piselli - Soia Peas - Soya Erbsen - Soja		Graminée Graminea Forragio Grass Futteranbau	
	Grand débit											
Débit	3m	4m	3m	4m	3m	4m	3m	4m	3m	4m	3m	4m
6 ↑	24,5	18,3	23,5	17,6	21,6	16,2	15,9	11,9	25,7	19,3	11,4	8,6
10	40,8	30,6	39,2	29,4	36,0	27,0	26,5	19,9	42,9	32,2	19,1	14,3
14	57,1	42,8	54,9	41,1	50,4	37,8	37,1	27,8	60,0	45,0	26,7	20,0
18	73,4	55,0	70,5	52,9	64,8	48,6	47,7	35,7	77,2	57,9	34,3	25,7
22	89,7	67,3	86,2	64,7	79,2	59,4	58,2	43,7	94,4	70,8		
26	106,0	79,5	101,9	76,4	93,6	70,2	68,8	51,6	111,5	83,6		
30	122,3	91,7	117,6	88,2	108,0	81,0	79,4	59,6	128,7	96,5		
34	138,6	104,0	133,2	99,9	122,4	91,8	90,0	67,5	145,8	109,4		
38	154,9	116,2	148,9	111,7	136,8	102,6	100,6	75,5	163,0	122,2		
42	171,2	128,4	164,6	123,4	151,2	113,4	111,2	83,4	180,1	135,1		
46	187,6	140,7	180,2	135,2	165,6	124,2	121,8	91,3	197,3	148,0		
50	203,9	152,9	195,9	146,9	180,0	135,0	132,4	99,3	214,5	160,8		
54	220,2	165,1	211,6	158,7	194,4	145,8	143,0	107,2	231,6	173,7		
58	236,5	177,4	227,3	170,5	208,8	156,6	153,6	115,2	248,8	186,6		
62	252,8	189,6	242,9	182,2	223,2	167,4	164,1	123,1	265,9	199,5		
66		201,8		194,0	237,6	178,2	174,7	131,1	283,1	212,3		
70		214,1		205,7	252,0	189,0		139,0	300,2	225,2		
74		226,3		217,5		199,8		146,9	317,4	238,1		
78		238,5		229,2		210,7		154,9	334,5	250,9		
82		250,8		241,0		221,5		162,8		263,8		
86 ↓						232,3		170,8		276,7		
90						243,1				289,5		
94						253,9				302,4		
96										308,8		

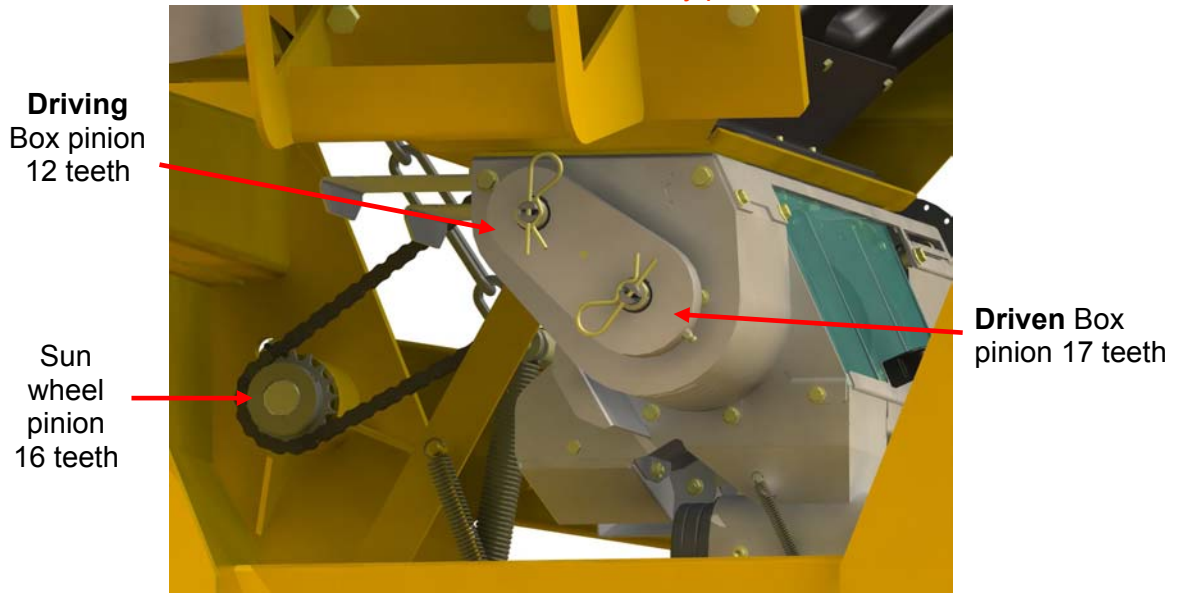
  

Semence Semilla Seme Seed Saatgut	Colza Colza Colza Colza Raps				Trèfle Trebol Trifoglio Clover Rotklee				Luzerne Alfalfa Alflafa Lucrene Pfriemenfgraf			
	Petit débit		Grand débit		Petit débit		Grand débit		Petit débit		Grand débit	
Débit	3m	4m	3m	4m	3m	4m	3m	4m	3m	4m	3m	4m
-2 ↑	1,0	0,8	2,10	1,58	1,2	0,9	2,49	1,87	0,6	0,5	1,26	0,95
-4	2,1	1,6	4,20	3,15	2,5	1,9	4,98	3,74	1,3	0,9	2,52	1,89
-6	3,1	2,4	6,31	4,73	3,7	2,8	7,47	5,60	1,9	1,4	3,78	2,84
-8	4,2	3,1	8,41	6,31	5,0	3,7	9,96	7,47	2,5	1,9	5,05	3,78
-10	5,2	3,9	10,51	7,88	6,2	4,7	12,45	9,34	3,1	2,4	6,31	4,73
-12 ↓	6,3	4,7	12,61	9,46	7,4	5,6	14,94	11,21	3,8	2,8	7,57	5,68
-14	7,3	5,5	14,72	11,04	8,7	6,5	17,43	13,08	4,4	3,3	8,83	6,62
-16	8,4	6,3	16,82	12,61	9,9	7,4	19,92	14,94	5,0	3,8	10,09	7,57

	3m	4m
Nombre de tours de roue / ha :	1185,8	889,4

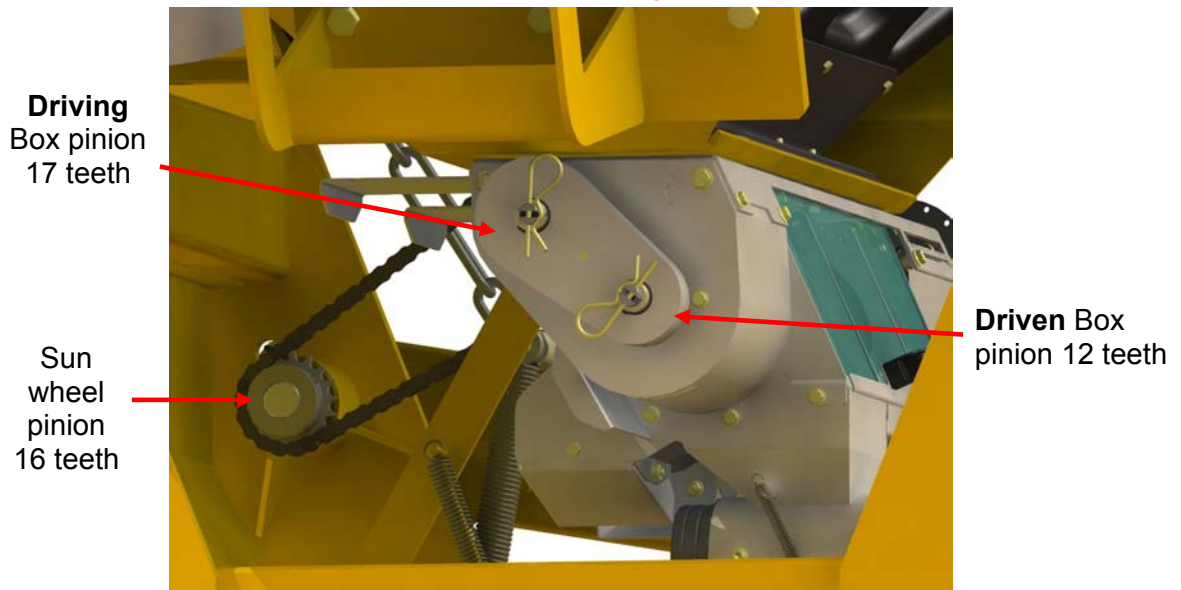
**Box r= 12/17 and pinion 16 teeth for DSF 1500 3 and 4 M**

**Box r=12/17 in reduced delivery position**



**Box r= 17/12 and pinion 16 teeth for DSF 1500 3 and 4 M**

**Box r=17/12 in normal delivery position**



1.6.3. Adjustment of grain delivery for 5m and 6m (Box r = 12/17 and pinion 32 teeth)

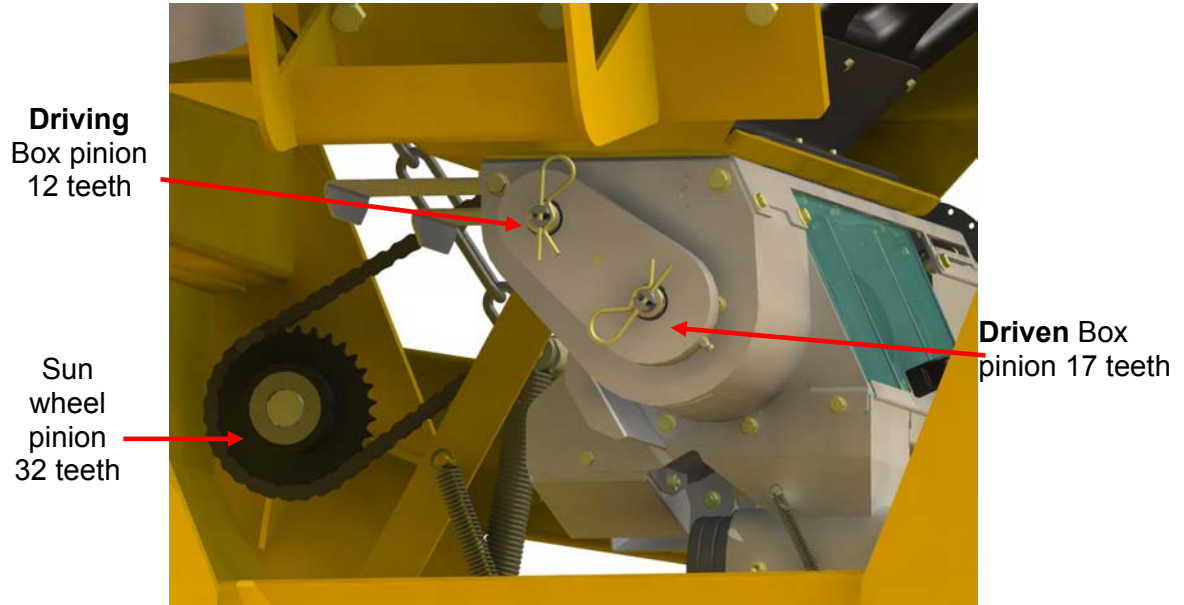
**Tableau de dosage (kg/Ha) pour DSF en largeur de travail 5m et 6m (Cassette r = 12/17)**

	Semence Semilla Seme Seed Saatgut	Blé Trigo Grano Corn Getreide		Seigle Centeno Segala Rye Roggen		Orge Cebada Orzo Barlez Gerste		Avoine Avena Avena Oats Hafer		Pois - Soja Arveja - Soja Piselli - Soja Peas - Soya Erbsen - Soja		Graminée Graminea Forragio Grass Futteranbau	
	Débit	Grand débit											
		5m	6m	5m	6m	5m	6m	5m	6m	5m	6m	5m	6m
Grandes cannelures	6 ↑	29,4	24,5	28,2	23,5	25,9	21,6	19,1	15,9	30,9	25,7	13,7	11,4
	10	48,9	40,8	47,0	39,2	43,2	36,0	31,8	26,5	51,5	42,9	22,9	19,1
	14	68,5	57,1	65,8	54,9	60,5	50,4	44,5	37,1	72,1	60,0	32,0	26,7
	18	88,1	73,4	84,6	70,5	77,8	64,8	57,2	47,7	92,6	77,2	41,2	34,3
	22	107,6	89,7	103,4	86,2	95,1	79,2	69,9	58,2	113,2	94,4		
	26	127,2	106,0	122,3	101,9	112,3	93,6	82,6	68,8	133,8	111,5		
	30	146,8	122,3	141,1	117,6	129,6	108,0	95,3	79,4	154,4	128,7		
	34	166,4	138,6	159,9	133,2	146,9	122,4	108,0	90,0	175,0	145,8		
	38	185,9	154,9	178,7	148,9	164,2	136,8	120,7	100,6	195,6	163,0		
	42	205,5	171,2	197,5	164,6	181,5	151,2	133,4	111,2	216,2	180,1		
	46	225,1	187,6	216,3	180,2	198,8	165,6	146,1	121,8	236,8	197,3		
	50	244,6	203,9	235,1	195,9	216,0	180,0	158,9	132,4	257,4	214,5		
	54	264,2	220,2	253,9	211,6	233,3	194,4	171,6	143,0	277,9	231,6		
	58	283,8	236,5	272,7	227,3	250,6	208,8	184,3	153,6	298,5	248,8		
	62	303,4	252,8	291,5	242,9	267,9	223,2	197,0	164,1	319,1	265,9		
	66		269,1		258,6	285,2	237,6	209,7	174,7	339,7	283,1		
	70		285,4		274,3	302,5	252,0		185,3	360,3	300,2		
	74		301,7		290,0		266,5		195,9	380,9	317,4		
	78		318,0		305,6		280,9		206,5	401,5	334,5		
	82		334,3		321,3		295,3		217,1		351,7		
86 ↓						309,7		227,7		368,9			
90						324,1				386,0			
94						338,5				403,2			
96										411,7			
Petites cannelures	Semence Semilla Seme Seed Saatgut	Colza Colza Colza Colza Raps				Trèfle Trebol Trifoglio Clover Rotklee				Luzerne Alfalfa Alfalfa Lucrene Pfriemenfgraf			
	Débit	Petit débit		Grand débit		Petit débit		Grand débit		Petit débit		Grand débit	
		5m	6m	5m	6m	5m	6m	5m	6m	5m	6m	5m	6m
	-2	1,3	1,0	2,52	2,10	1,5	1,2	2,99	2,49	0,8	0,6	1,51	1,26
	-4	2,5	2,1	5,05	4,20	3,0	2,5	5,98	4,98	1,5	1,3	3,03	2,52
	-6	3,8	3,1	7,57	6,31	4,5	3,7	8,97	7,47	2,3	1,9	4,54	3,78
	-8	5,0	4,2	10,09	8,41	6,0	5,0	11,95	9,96	3,0	2,5	6,05	5,05
	-10	6,3	5,2	12,61	10,51	7,4	6,2	14,94	12,45	3,8	3,1	7,57	6,31
	-12	7,5	6,3	15,14	12,61	8,9	7,4	17,93	14,94	4,5	3,8	9,08	7,57
	-14 ↓	8,8	7,3	17,66	14,72	10,4	8,7	20,92	17,43	5,3	4,4	10,60	8,83
-16	10,1	8,4	20,18	16,82	11,9	9,9	23,91	19,92	6,0	5,0	12,11	10,09	

	5m	6m
Nombre de tours de roue / ha :	711,5	592,9

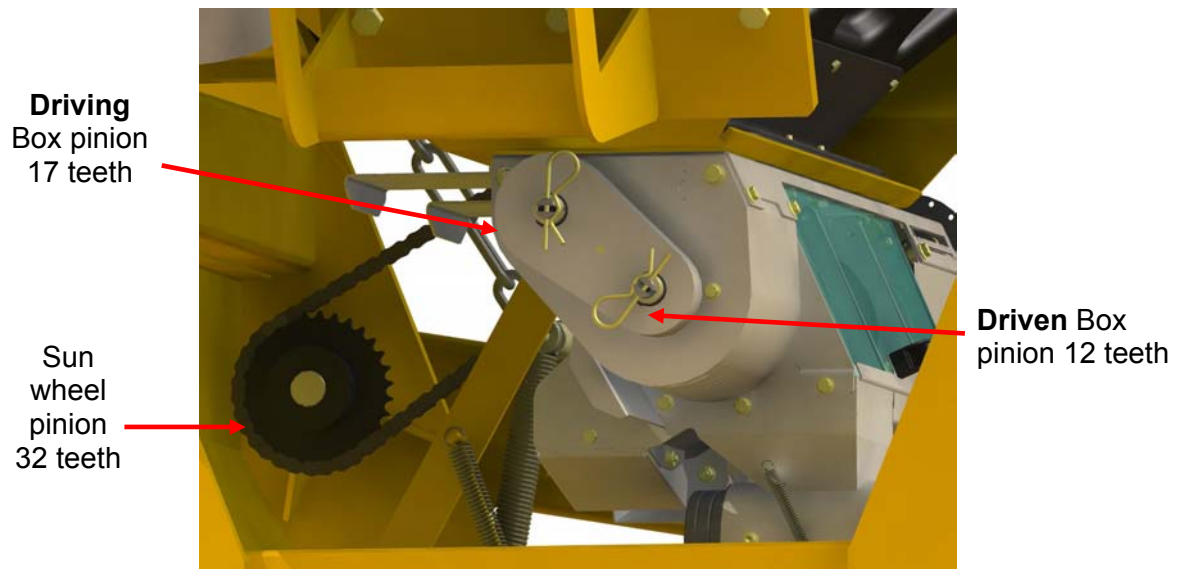
**Box  $r = 12/17$  and pinion 32 teeth for DSF 1500 5 and 6 M**

Box  $r=12/17$  in reduced delivery position



**Box  $r = 17/12$  and pinion 32 dents for DSF 1500 5 and 6 M**

Box  $r=17/12$  in normal delivery position



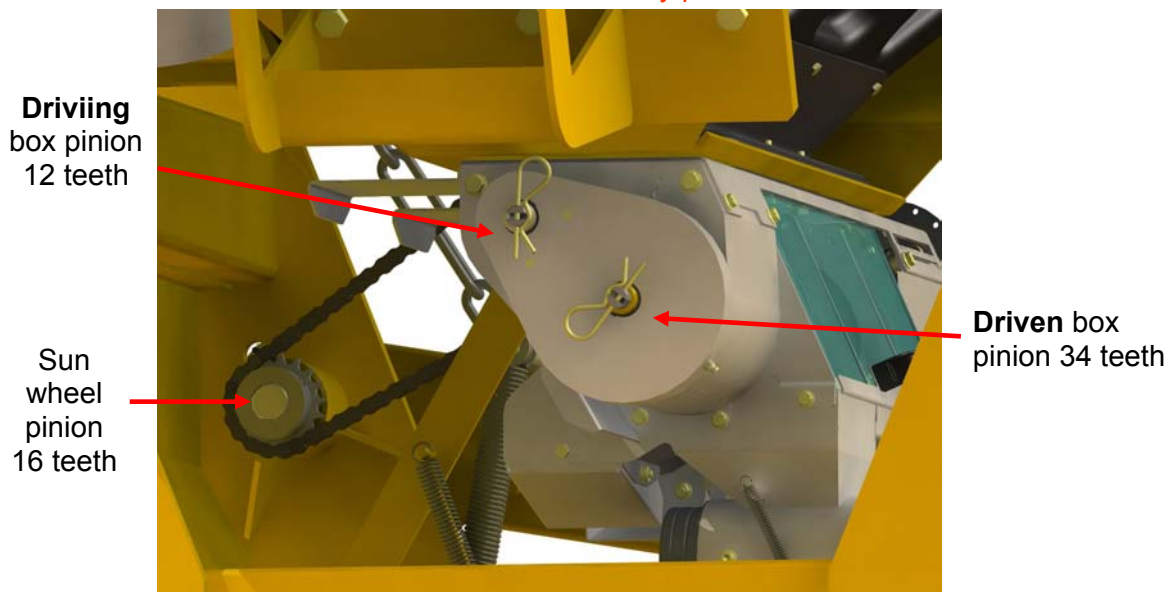
1.6.4. Adjustment of grain delivery for 3m and 4m (Box r = 12/34 and pinion 16 teeth)

**Tableau de dosage (kg/Ha) pour largeur de travail 3m et 4m (Cassette r = 12/34)**

Petites cannelures	Semence Semilla Seme Seed Saatgut	Colza		Trèfle Trebol Trifoglio Clover Rotklee		Luzerne Alfalfa Alfalfa Lucrene Pfriemenfgraf	
	Débit	Petit débit		Petit débit		Petit débit	
		3m	4m	3m	4m	3m	4m
	-2	0,5	0,4	0,6	0,5	0,3	0,2
	-4	1,0	0,8	1,2	0,9	0,6	0,5
	-6	1,6	1,2	1,9	1,4	0,9	0,7
	-8	2,1	1,6	2,5	1,9	1,3	0,9
	-10	2,6	2,0	3,1	2,3	1,6	1,2
	-12	3,1	2,4	3,7	2,8	1,9	1,4
	-14	3,7	2,7	4,3	3,3	2,2	1,6
	-16	4,2	3,1	5,0	3,7	2,5	1,9
			3m	4m			
Nombre de tours de roue / ha :			1185,8	889,4			

**Box r = 12/34 and pinion 16 teeth for DSF 1500 3 and 4M**

Box r=34/12 in reduced delivery position



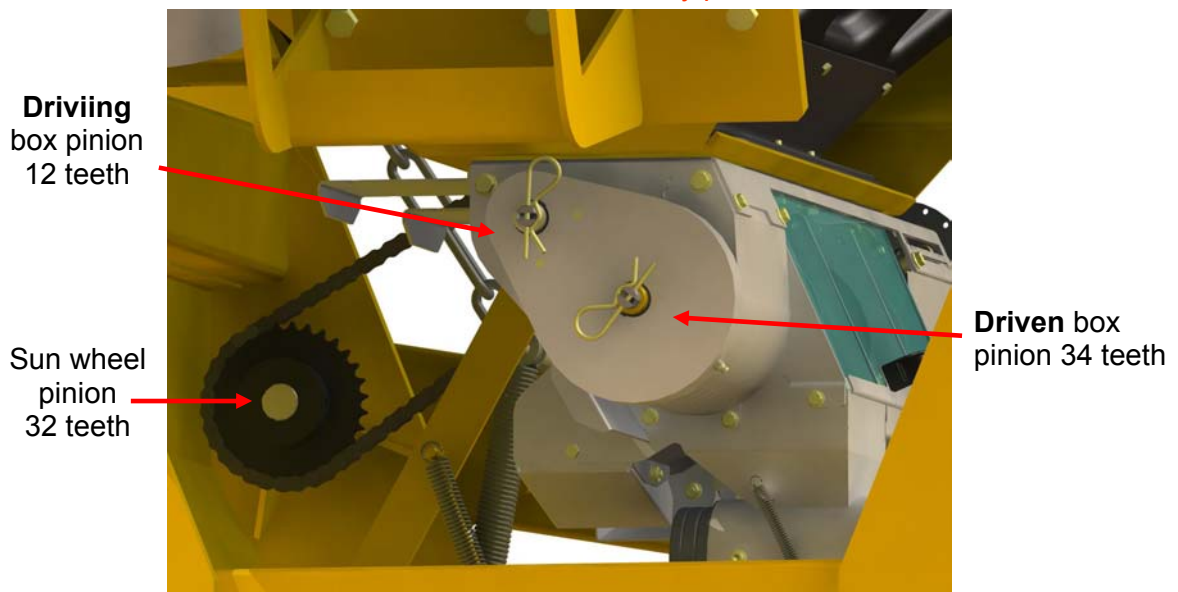
1.7.5. Adjustment of grain delivery for 5m and 6m (Box r = 12/34 and pinion 32 teeth)

**Tableau de dosage (kg/Ha) pour DSF en largeur de travail 5m et 6m (Cassette r = 12/34)**

Petites cannelures	Semence	Colza		Trèfle		Luzerne	
	Semilla	Colza		Trebol		Alfalfa	
	Seme	Colza		Trifoglio		Alfafa	
Seed	Colza		Clover		Lucrene		
Saatgut	Raps		Rotklee		Pfriemenfgraf		
Débit	Petit débit		Petit débit		Petit débit		
	5m	6m	5m	6m	5m	6m	
-2	0,6	0,5	0,7	0,6	0,4	0,3	
-4	1,3	1,0	1,5	1,2	0,8	0,6	
-6	1,9	1,6	2,2	1,9	1,1	0,9	
-8	2,5	2,1	3,0	2,5	1,5	1,3	
-10	3,1	2,6	3,7	3,1	1,9	1,6	
-12	3,8	3,1	4,5	3,7	2,3	1,9	
-14	4,4	3,7	5,2	4,3	2,6	2,2	
-16	5,0	4,2	6,0	5,0	3,0	2,5	
		5m	6m				
Nombre de tours de roue / ha :		711,5	592,9				

**Box r = 12/34 and pinion 32 teeth for DSF 1500 5 and 6M**

Box r=12/34 12 in reduced delivery position



- It is important to adjust the delivery depending on the grains size, on the weight of thousand grains and on used seeds treatment. Concerning the fertilizing you have to take into consideration its density and its mixture.



Some seeds treatment can badly disturb the delivery and the good distribution functioning.

👉 In order to find the desired delivery rate you should make regular tests.

1.6.6. Grain delivery rate control



- ✎ Before every use makes sure that the inside of the different grooved feed drills is completely clean. If it is not, the delivery rate trials will give incorrect results.
- ✎ Likewise make sure that the inside of the distributor is completely free of grain before any movement of the section of grooved feed drills.

After having carried out all the necessary adjustments:

- 1- Place the box and choose a speed ratio ,
- 2- Adjust delivery depending on the desired density;
- 3- Place a pre-weighed test vessel under the stop-up traps of each of the 2 distribution canals (**see: Figure N°22**),
- 4- Open the 2 stop-up traps of each of the 2 distribution canals, by moving them backwards,
- 5- Determine the percentage of the surface for simulation,
- 6- Turn the wheel as many times as indicated.
- 7- Weigh the grains in the tray,
- 8- Calculate the weight of grains for a hectare,
- 9- Compare the found result with that of the table.



***Figure N°22 : Stop-up traps***

This table indicates the number of sun wheel turns to be made depending on the machine width for a delivery test.

Seed drill width	Number of sun wheel turns	Multiply the result by 40 for getting a delivery by hectare
3m	30	
3,50m	25	
4m	22	
5m	18	
6m	15	

The wheel turns must be regular, about one turn by second.

The turn number is approximate and can vary depending on the soil type.

There a two possibilities :

- ☞ The found weight is that which was expected:
  - Close the two stop-up traps of each of the 2 distribution canals. The test is over.
- ☞ The found weight is different from that which was expected:
  - knowing that:           Wanted weight:.....MS  
                                   Measured weight:.....MM  
                                   Start indicator position (mm):.....PCD

It is possible to adjust the indicator position making the following calculation:  
 Wanted indicator position (mm) :  $PCS = (MS \times PCD) / MM$

Two possibilities :

- ☞ PCS >> PCD :
  - Put the indicator into its new position,
  - Repeat the steps 6 to 9.

- ☞ PCS << PCD :
  - If the difference  $PCD - PCS \leq 5mm$
  - Put the indicator into its new position,
  - Repeat the steps 6 to 9.

Otherwise ;



- Empty the distribution by closing the 2 traps blocking the distribution supply conduit (see paragraph: §1.2.2.).
- Put the indicator into its new position,
- Repeat the steps 6 to 9.

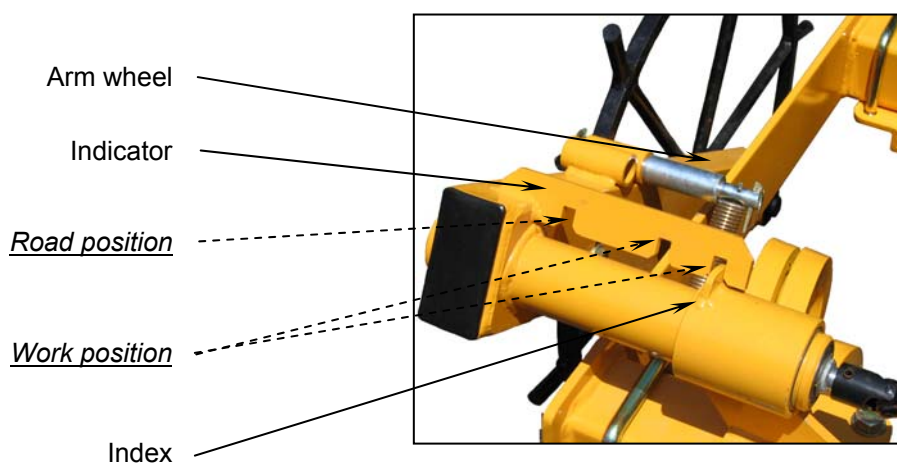
**1.7. DRIVING WHEEL**

For safety reasons and in respect of the Highway Code this kit is removable. That allows switching from the working position to the transport position.

Switch from the transport position to the working position (see: **Figure N°23**) :

- 1- Slightly raise the driving wheel so that its arm was roughly in horizontal position (when the indicator is out of its indexation).
- 2- When the arm is in that position, make a slight oscillating movement for pulling all the wheel kit outside the machine until the indicator is in front of the indexation.
- 3- Put the wheel on the soil.
- 4- With the tractor mounting system raise the machine by about 15cm from the soil.

- 5- Then connect the loose end of the driving wheel return spring to the DISC-O-SEM frame.



***Figure N°23 : Driving wheel***

Switch from the working position to the transport position (***see: Figure N°23***) :

- 1- With the tractor mounting system raise the machine by about 15cm from the soil.
- 2- Unfasten the spring end from the DISC-O-SEM frame.
- 3- Raise the driving wheel so that its arm was roughly in horizontal position (when the indicator is out of its indexation).
- 4- When the arm is in that position, make a slight oscillant movement for pulling all the wheel kit inside the machine until the indicator is in front of the indexation.
- 5- Leave the wheel stay on the DISC-O-SEM frame.



If you seed drill is mounted on the folding Disc-O-Mulch repliable, don't forget to unfasten the distribution cadran and put it to its support before folding the machine for transportation.



Before every working season when you use the DISC-O-SEM, you should check the different tensions of the chain connecting the driving wheel to the distribution. The adjusting devices are mounted for doing it.

### **1.8. DISTRIBUTION HEAD**

Each distribution head supplies 16 or 24 seeding tubes spread-out over the sowing line of the DISC-O-SEM.

Four return tubes have been mounted on these heads for recycling non-used outlets.

By a conical threaded simply unscrewing plug you can easily access inside of the distribution head. (***see: Figure N°24***).



***Figure N°24 : Distribution head***



Before every working season when using the DISC-O-SEM you have to clean and blow off all outlets of each distribution head.

## 1.9. TURBINE


### 1.9.1. Hydraulic connections

The oil delivery from the tractor must be at least 60L/min. If it is below this value, the rotation speed of the turbine can be insufficient, especially when sowing large grains.

Maximum pressure: 200 bars

### 1.9.2. Adjustment of the turbine system

By changing the position of the delivery meter connected to the hydraulic motor you can adjust the pressure inside the distribution conduit. You can measure this pressure with the manometer fixed on the hopper (tractor side).

 The turbine operation has to be adjusted depending on the grains to be sowed and on the working width as well. For information **see the table below:**

<i>Working width</i>	3m	4m	5m	6m
Small grains:	40mbar	50mbar	55mbar	65mbar
Large grains:	50mbar	60mbar	75mbar	80mbar

## 1.10. PRE-SOWING CONTROL

- 1- Make sure that the driving wheel rotation generates a grain delivery from each outlet on the DISC-O-SEM sowing line.
- 2- Verify that all the pneumatic hoses are correctly fixed upstream and downstream of the distribution.
- 3- Check the correct connection of the turbine hydraulic hoses to the tractor distributor.

### 1.11. OPERATION ADVICE

<b><i>Problem</i></b>	<b><i>Point to check</i></b>	<b><i>Solutions</i></b>
<i>Wrong volume / Ha</i>	Grooved feed drill section adjustment	Check the graduation as regards the scale
	Box position	Check that the box is in the right position
	Check the flap sealing	Change the flap thickness or move it from the cylinder by about ½ mm
<i>The seeds don't come to the distribution heads</i>	Traps down the hopper	Check that the 2 traps are open
	Turbine connection	Check the turbine connections as regards the scheme.
	Tubes and hoses Inclination	Limit the angles as much as possible for delivery facilitating
	Tractor hydraulic pressure	Increase the distributor hydraulic pressure
<i>Some seeding units don't deliver seeds</i>	Hoses Ø35 inclination	Stretch the hoses if necessary for eliminating the horizontal sections
	Sowing units	Check that any sowing units are blocked
<i>The sowing depth is uneven</i>	Advancement speed	For the regularity of work the speed must be at least between 10 and 12 Km/h
	DOM level	The DOM must always work in more or less horizontal position
<i>Oil run-out into the turbine motor</i>	Internal joints	Change the motor joint

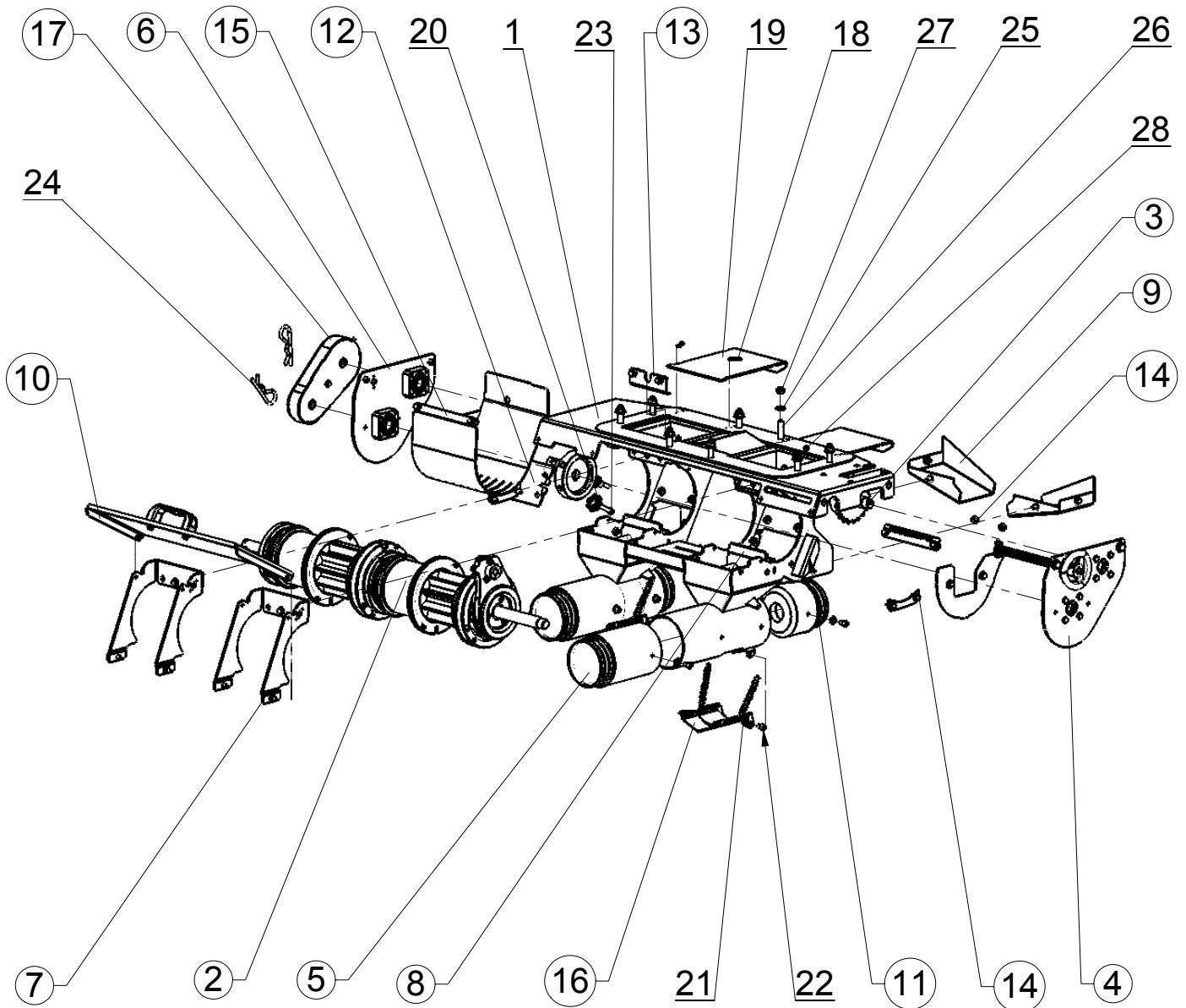


## *DISTRIBUTION SPARE PARTS*

---



VOLUMETRIC DISTRIBUTION OF LARGE AND SMALL SEEDS

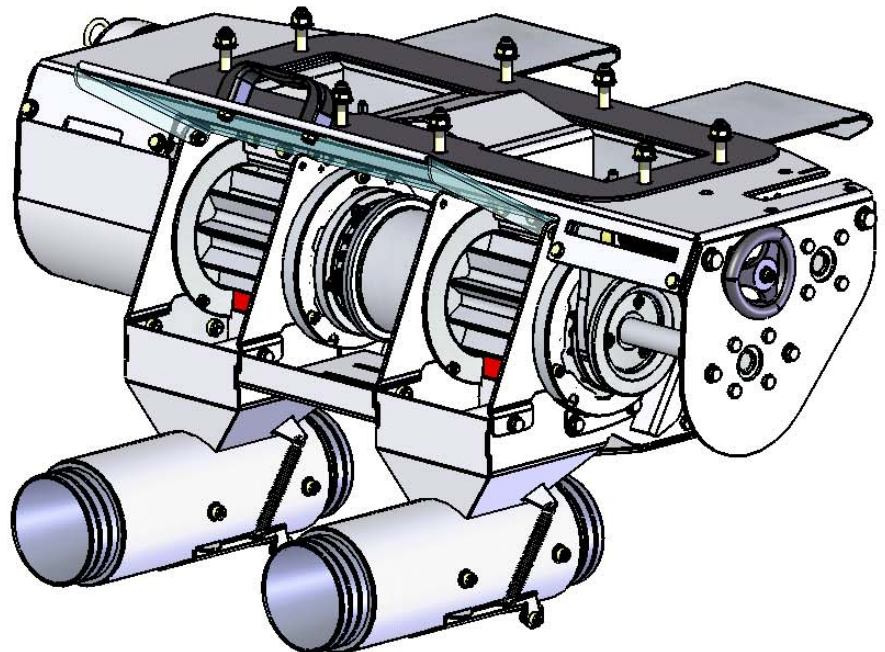


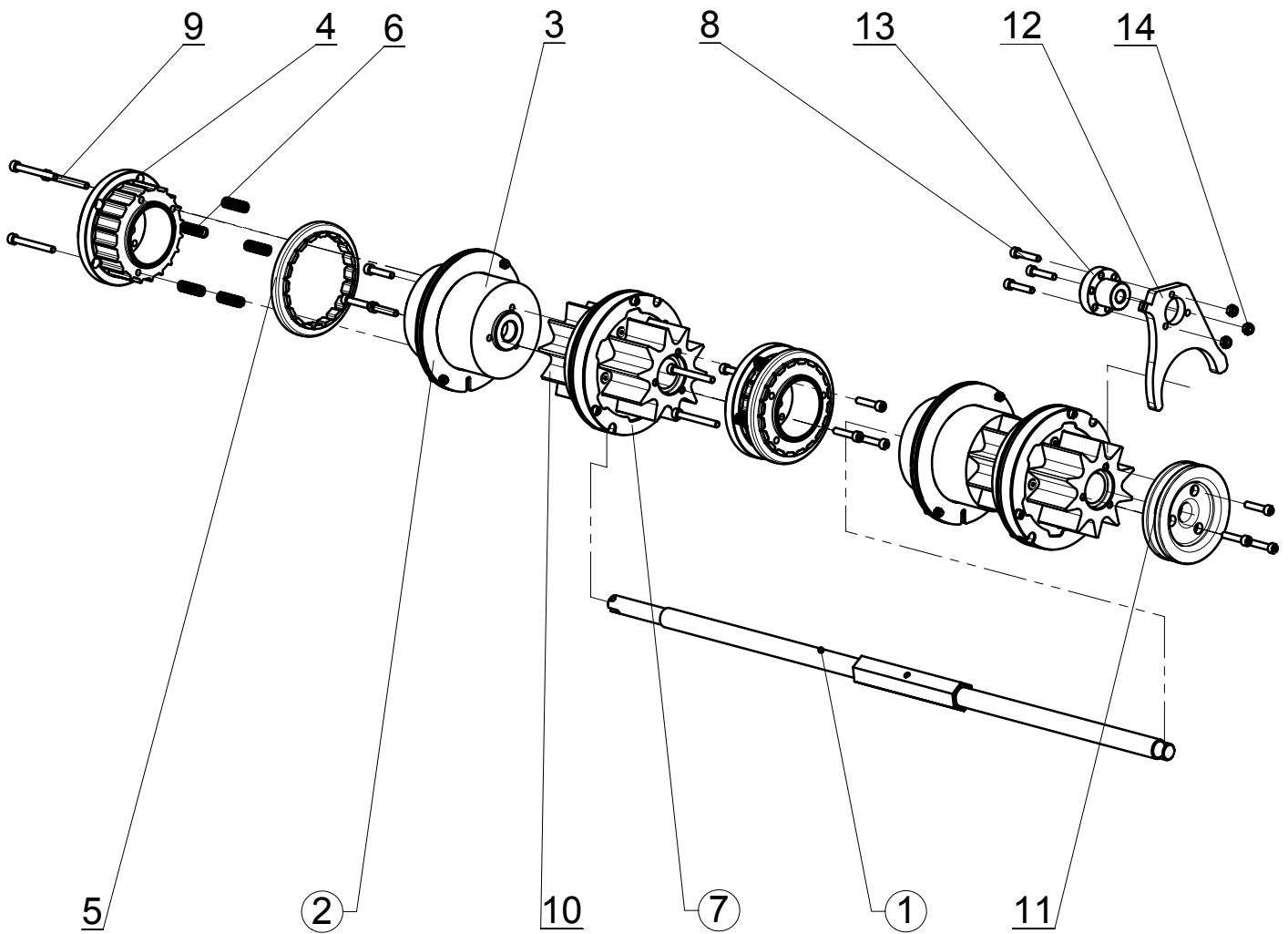


# Distribution - Ø90

Reference : SEM01-26-010

					Weight : 37.77 Kg
Seep	Reference	Description	Qty.	Weight	Comments
1	SEM01-26-520	Distribution main part - Ø90	1	11.69	
2	SEM01-27-001	Fluted feed drill section kit	1	7.56	
3	SEM01-27-005	Stirrer kit	1	2.76	
4	SEM01-27-030	Fluted feed drill section command kit	1	1.29	
5	SEM01-26-014	Venturi nozzle kit - Ø90	2	1.06	
6	SEM01-27-031	Fluted feed drill section rotation guide kit	1	1.04	
7	SEM01-26-002	Fluted feed drill section closure kit	2	0.49	
8	SEM01-27-035	Sealed flap kit	2	0.00	
9	SEM01-26-003	Spout kit	1	0.58	
10	SEM01-21-015	Distribution casing kit	1	2.07	
11	SEM01-26-007	Emptying trap kit	1	0.25	
12	SEM01-26-007	Emptying trap kit	1	0.00	
13	SEM01-26-005	Sealing selector kit	2	0.08	
14	SEM01-21-020	Righthand fluted feed drill casing kit	1	1.00	
15	SEM01-21-021	Lefthand fluted feed drill casing kit	1	1.03	
16	SEM01-26-016	Dosing trap kit - Ø90	2	0.21	
17	SEM01-27-025	Box r=12/17	1	1.46	
18	SEM01-25-601	Blocking trap spring	4	0.0008	
19	SEM01-26-630	Hopper blocker draw	2	0.53	
20	PESR6	Star handle for rapid tightening M6	2	0.04	
21	EN6	Nylstop Nut M6 - 8 - bichromated yellow	6	0.003	
22	VCHC6-010-FT	Screw CHc - M6 x 10 - 8.8 - bichromated yellow	4	0.01	
23	VCHC6-045-FT	Screw CHc - M6 x 45 - 8.8 - bichromated yellow	2	0.01	
24	GB	Beta clips - Ø4x12-22	2	0.02	
25	RDC8	Washer Ø8 - yellow electro zinc	16	0.002	
26	VH8-045	Screw H - M8 x 45 - 8.8 - bichromated yellow	8	0.022	
27	EN8	Nylstop Nut M8 - 8 - bichromated yellow	8	0.006	
28	SEM01-26-700	Sealed joint of distribution	1	0.18	

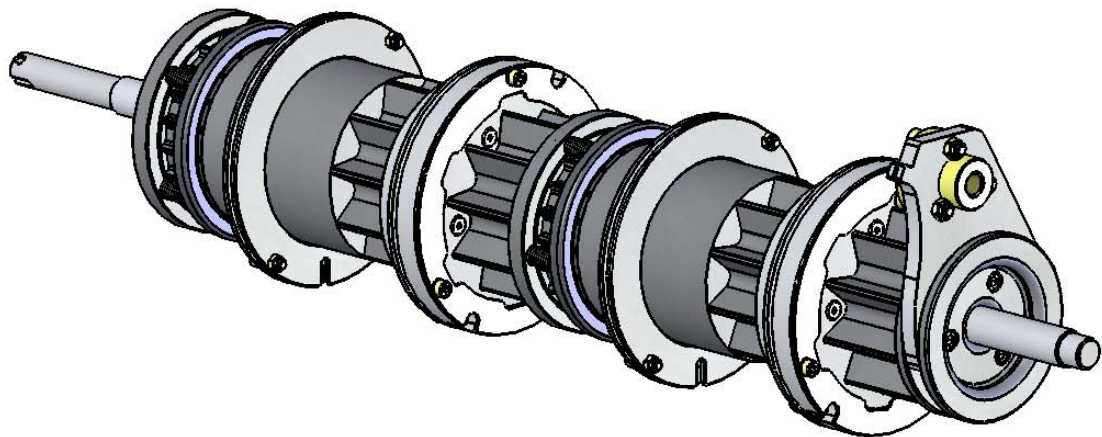


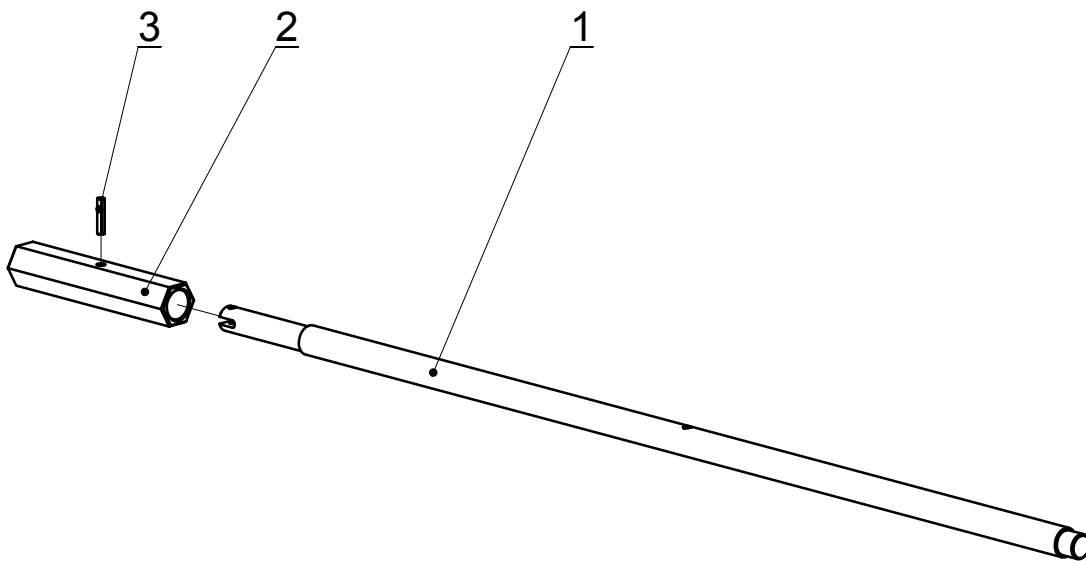


# Fluted feed drill section kit

Reference : SEM01-27-001

					Weight : 7.54 Kg
Seep	Reference	Description	Qty.	Weight	Comments
1	SEM01-27-002	Drive shaft kit	1	2.26	
2	SEM01-27-010	Small sluted feed drill sealing kit	2	0.14	
3	SEM01-27-612	Dosing cylinder	2	0.49	
4	SEM01-27-611	Small fluted feed drill	2	0.27	
5	SEM01-27-615	Sealing ring for small fluted feed drill	2	0.04	
6	SEM01-25-606	Compression spring $\varnothing 0,8 - \varnothing 10 - 40$	10	0.002	
7	SEM01-27-015	Large fluted feed drill sealing kit	2	0.69	
8	VCHC6-030-FT	Screw CHc - M6 x 30 - 8.8 - bichromated yellow	15	0.01	
9	VCHC6-055	Screw CHc - M6 x 55 - 8.8 - bichromated yellow	6	0.02	
10	SEM01-27-610	Large fluted feed drills	2	0.63	
11	SEM01-27-613	Fluted feed drill section bobbin	1	0.15	
12	SEM01-27-620	Fluted feed drill section command fork	1	0.15	
13	WFRM-2835TR14x4	Nut for wedge-screw M14x4	1	0.23	
14	EN6	Nylstop Nut M6 - 8 - bichromated yellow	3	0.003	

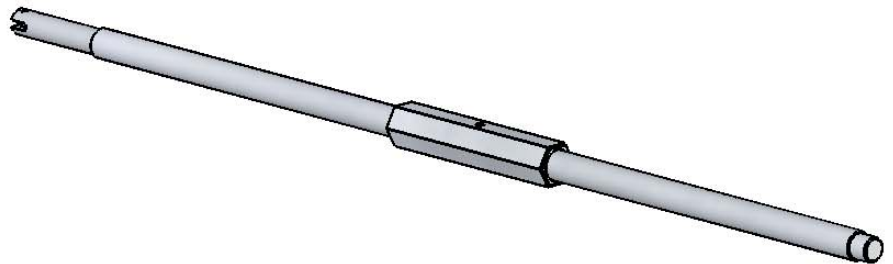


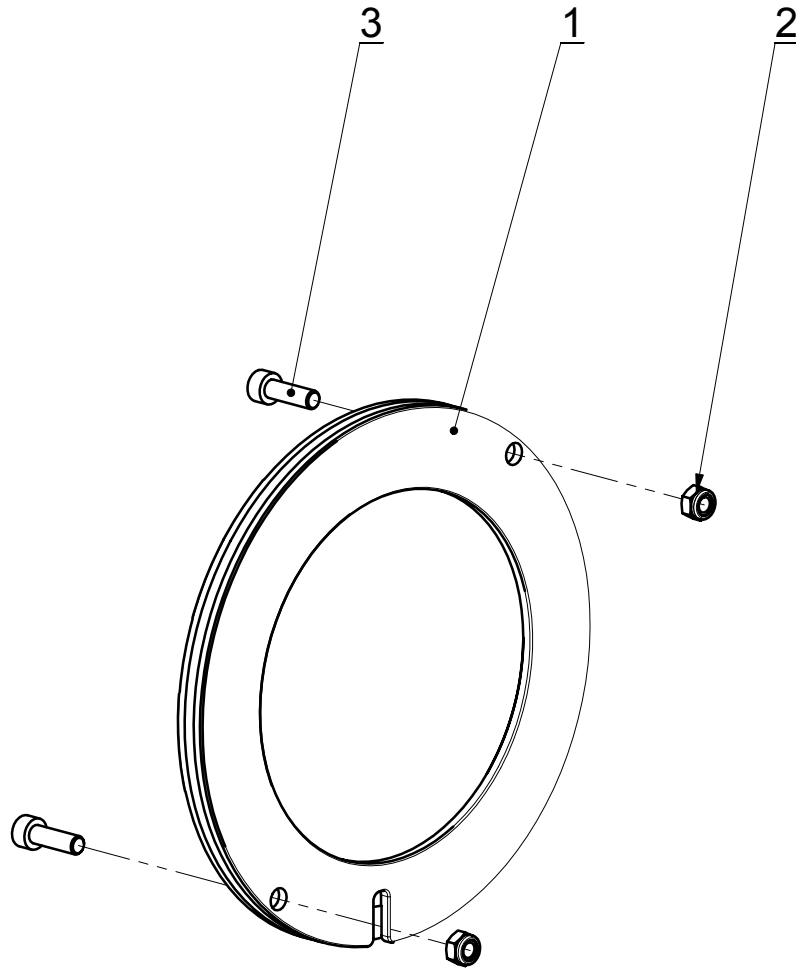


# Drive shaft kit

Reference : SEM01-27-002

					Weight : 2.26 Kg
Seep	Reference	Description	Qty.	Weight	Comments
1	SEM01-27-626	Fluted feed drill drive shaft	1	1.89	
2	SEM01-27-627	Fluted feed drill hexagonal drive system	1	0.36	
3	GCC5-24	Fluted cylindric pin Ø5x24	1	0.00	

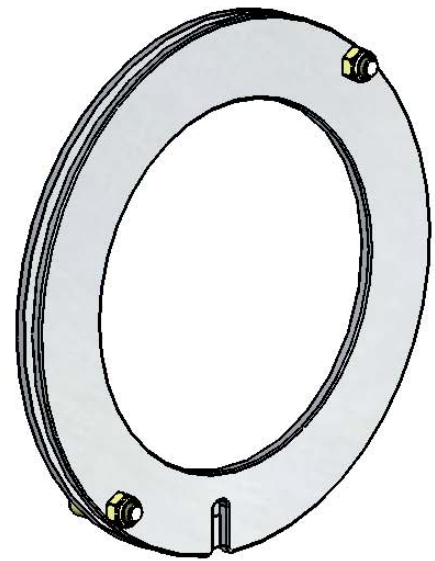


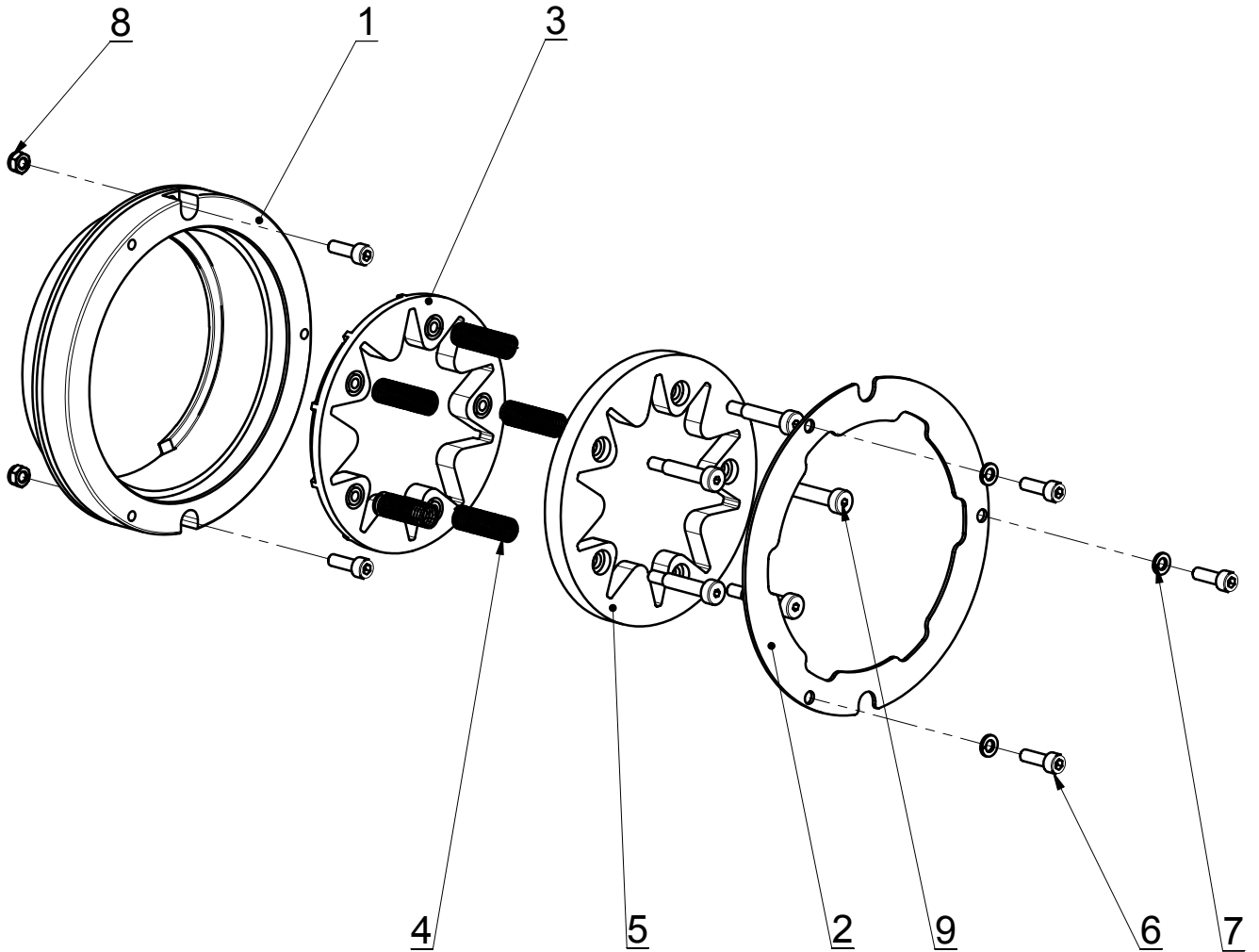


# Small sluted feed drill sealing kit

Reference : SEM01-27-010

					Weight : 0.14 Kg
Seep	Reference	Description	Qty.	Weight	Comments
1	SEM01-27-601	Small fluted feed drill sealing seat	1	0.13	
2	EN5	Nylstop Nut M5 - 8 - bichromated yellow	2	0.001	
3	VCHC5-016-FT	Screw CHc - M5 x 16 - 8.8 - bichromated yellow	2	0.00	



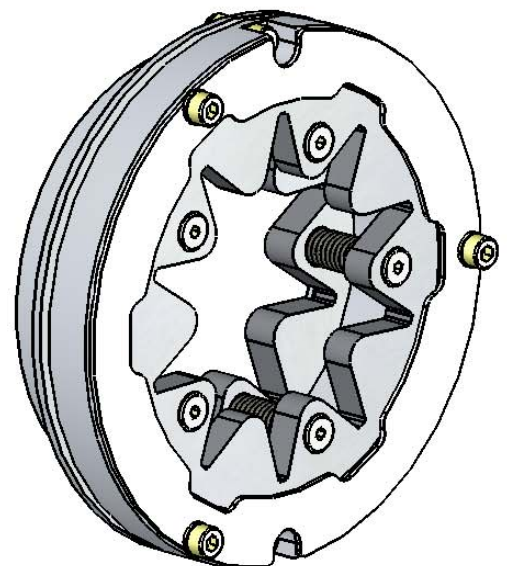


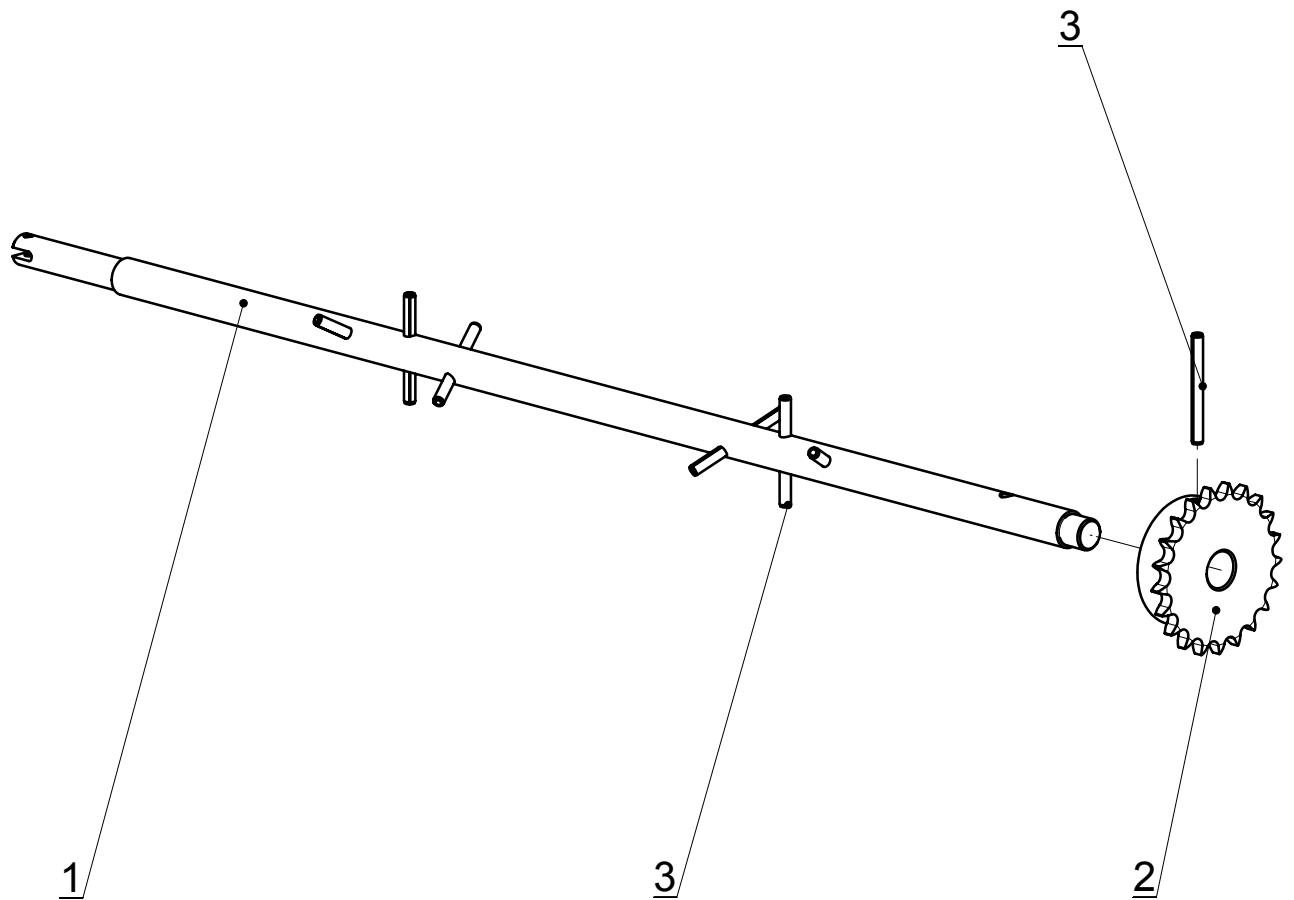


# Large fluted feed drill sealing kit

Reference : SEM01-27-015

					Weight : 0.67 Kg
Seep	Reference	Description	Qty.	Weight	Comments
1	SEM01-27-605	Large fluted feed drill sealing seat	1	0.41	
2	SEM01-27-607	Fluted feed drill sealing thrust bearing kit	1	0.08	
3	SEM01-27-606	Sealing ring for large fluted feed drill	1	0.04	
4	SEM01-25-606	Compression spring Ø0,8 - Ø10 - 40	5	0.002	
5	SEM01-27-608	Second sealing ring for large fluted feed drill	1	0.06	
6	VCHC5-016-FT	Screw CHc - M5 x 16 - 8.8 - bichromated yellow	5	0.00	
7	RE5	Washer Ø5 - elastic bichromated yellow	3	0.000	
8	EN5	Nylstop Nut M5 - 8 - bichromated yellow	2	0.001	
9	VCCH5-025	Screw CCHc M5 - Ø6 x 25 - 8.8 - bichromated yellow	5	0.01	

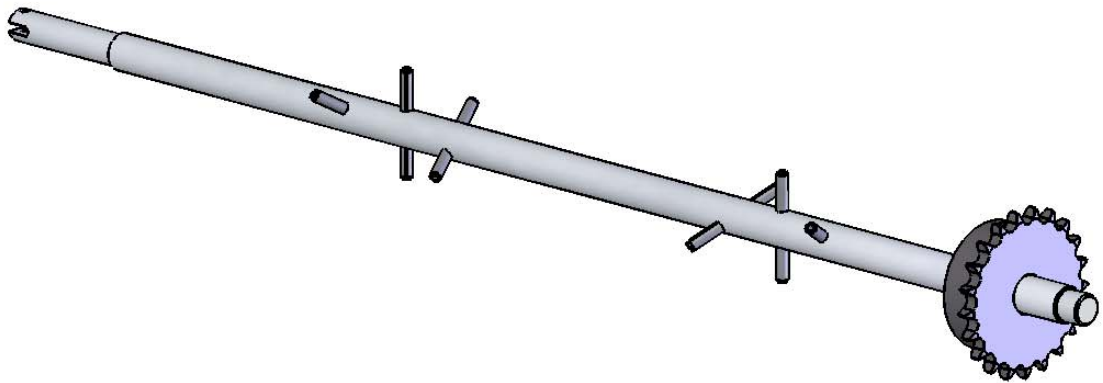


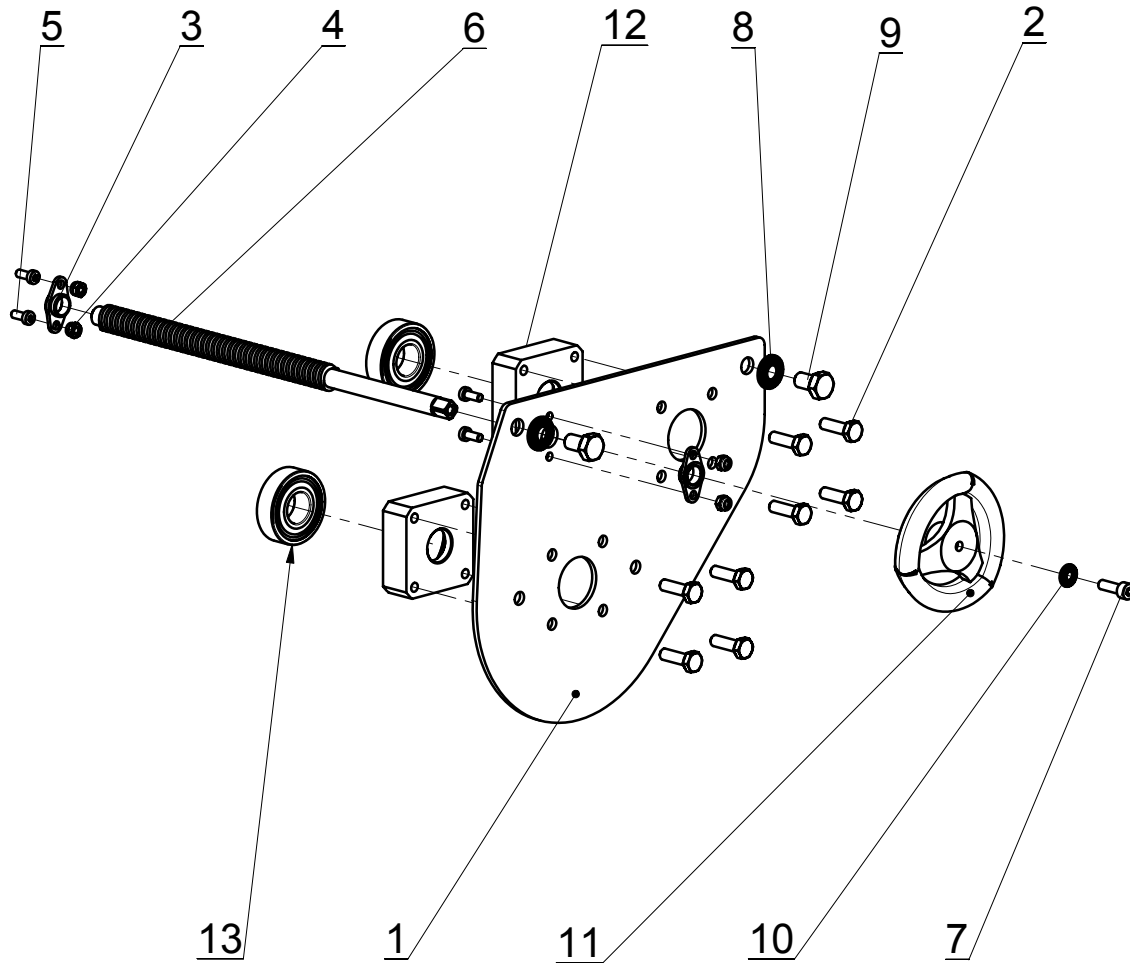


# Stirrer kit

Reference : SEM01-27-005

					Weight : 2.76 Kg
Seep	Reference	Description	Qty.	Weight	Comments
1	SEM01-27-625	Stirrer shaft	1	1.86	
2	PIGN12,7-21-1	Pinion 08B1-21 teeth- 12,7- Ø20	1	0.839	
3	GE06-60-INOX	Elastic pin Ø6x60 - stainless-steel	7	0.01	

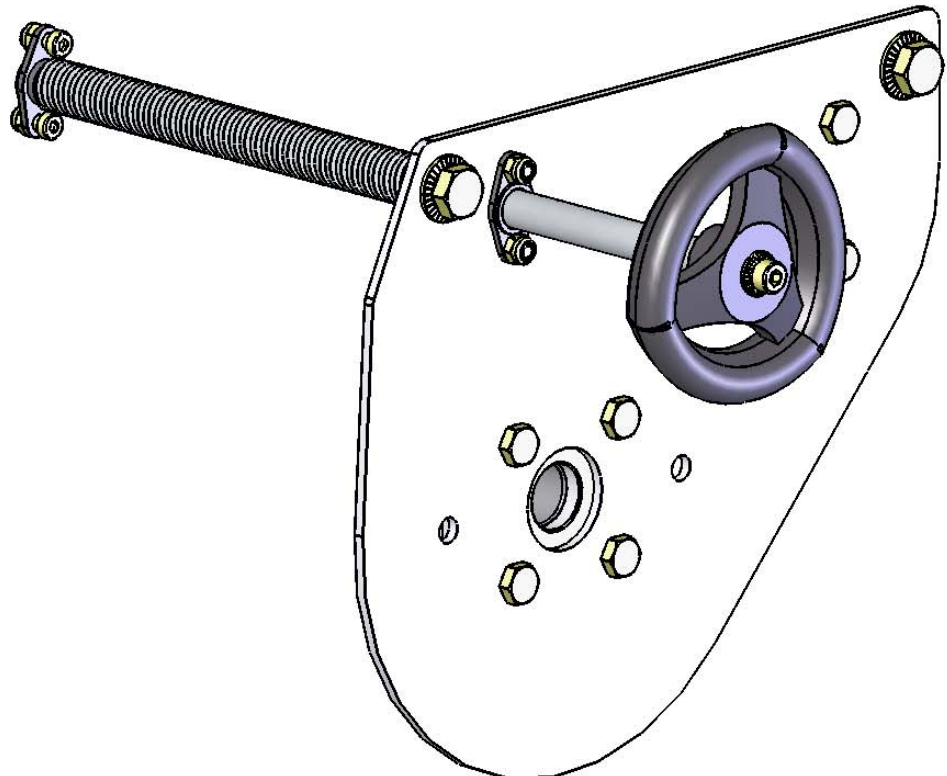


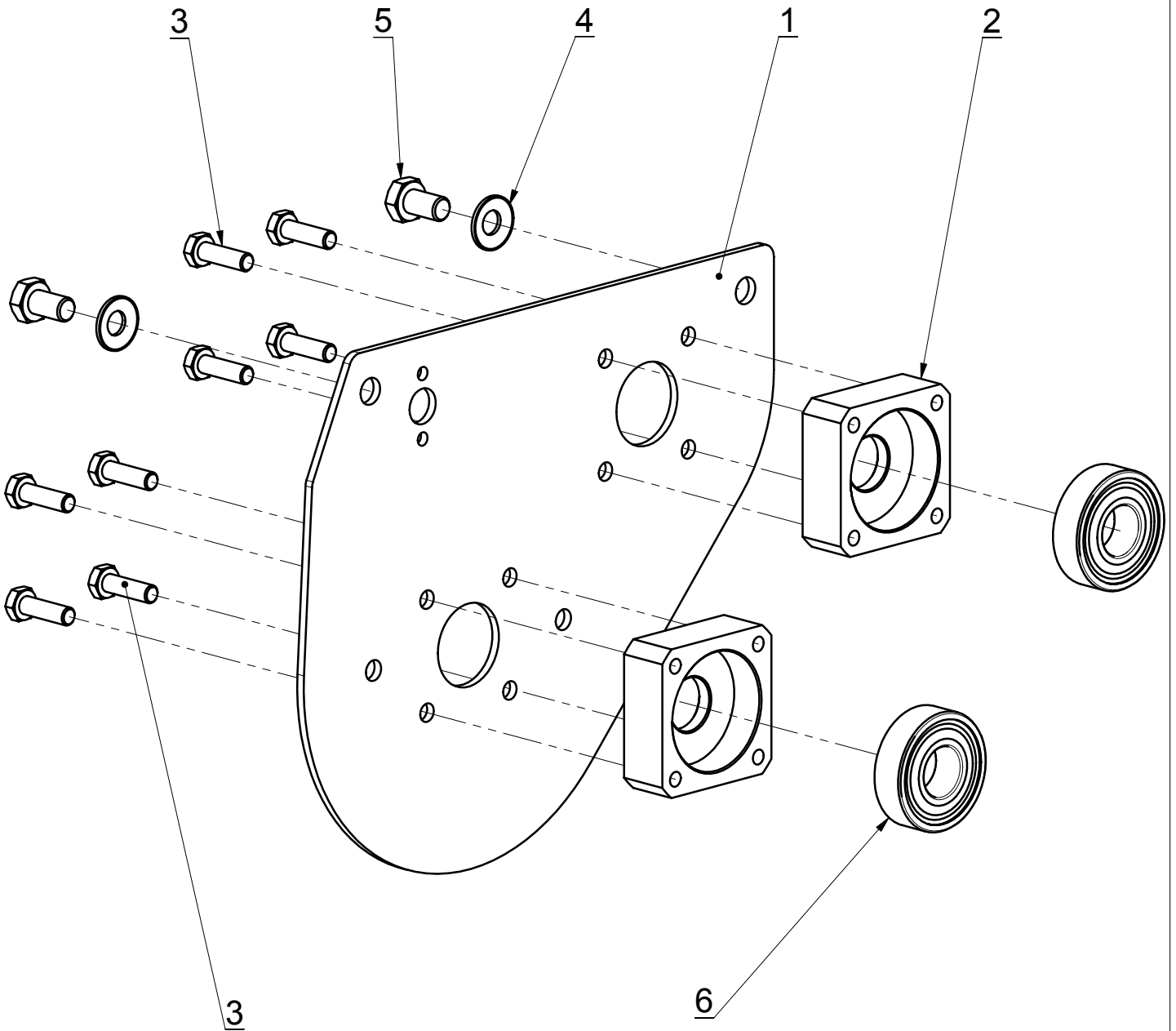


# Fluted feed drill section control kit

Reference : SEM05-27-030

					Weight : 1.32 Kg
Seep	Reference	Description	Qty.	Weight	Comments
1	SEM01-26-635	Distribution transmission flank	1	0.69	
2	VH6-020-FT	Screw H - M6 x 20 - 8.8 - bichromated yellow	8	0.007	
3	GFL-10	Ø10 bearing - 2 holes Ø10	2	0.00	
4	EN4	Nylstop Nut M4 - 8 - bichromated yellow	4	0.001	
5	VCRHC4-010	Screw CHc - M4 x 10 - 8.8 - bichromated yellow	4	0.00	
6	SEM05-27-628	Fluted feed drill command shaft	1	0.21	
7	VCHC5-016-FT	Screw CHc - M5 x 16 - 8.8 - bichromated yellow	1	0.00	
8	RDC8	Washer Ø8 - yellow electro zinc	2	0.002	
9	VH8-014-FT	Screw H - M8 x 14 - 8.8 - bichromated yellow	2	0.012	
10	RDC5	Washer Ø5 - yellow electro zinc	1	0.001	
11	VOL8	Hand-wheel	1	0.04	
12	SEM01-27-636	Bearing Ø17	2	0.07	
13	ROUL-516	Roll-on bearing with joints - 6203 2RS1	2	0.06	

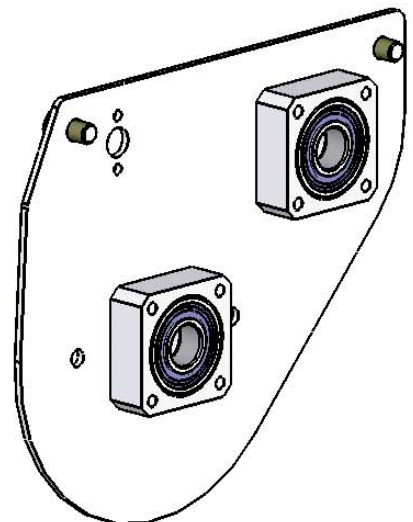


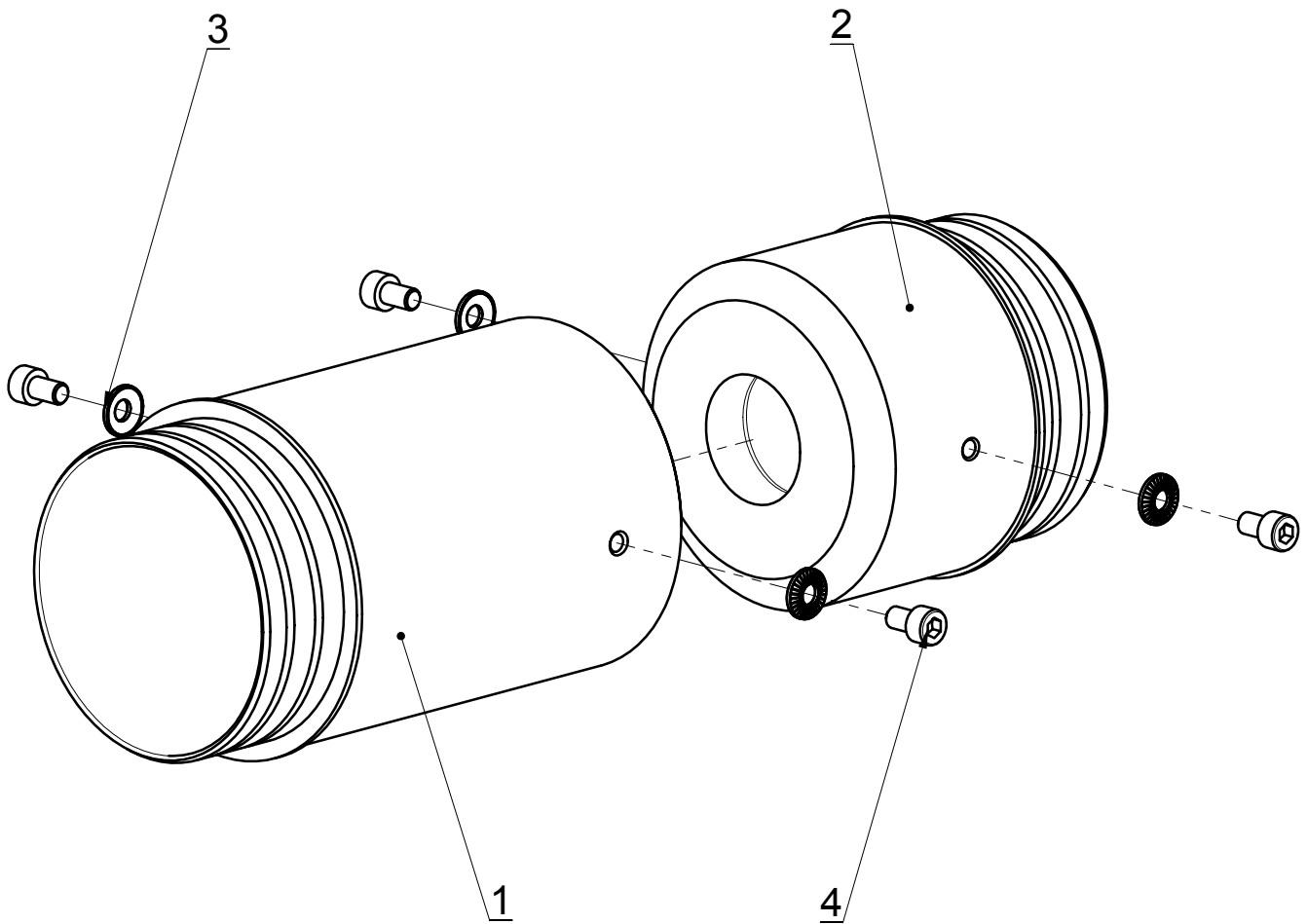


# Fluted feed drill section rotation guide kit

Reference : SEM01-27-031

					Weight : 1.04 Kg
Seep	Reference	Description	Qty.	Weight	Comments
1	SEM01-26-635	Distribution transmission flank	1	0.69	
2	SEM01-27-636	Bearing Ø17	2	0.07	
3	VH6-020-FT	Screw H - M6 x 20 - 8.8 - bichromated yellow	8	0.007	
4	RDC8	Washer Ø8 - yellow electro zinc	2	0.002	
5	VH8-014-FT	Screw H - M8 x 14 - 8.8 - bichromated yellow	2	0.012	
6	ROUL-516	Roll-on bearing with joints - 6203 2RS1	2	0.06	



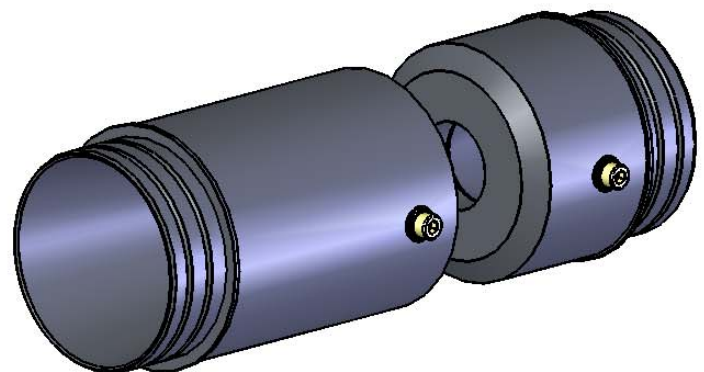


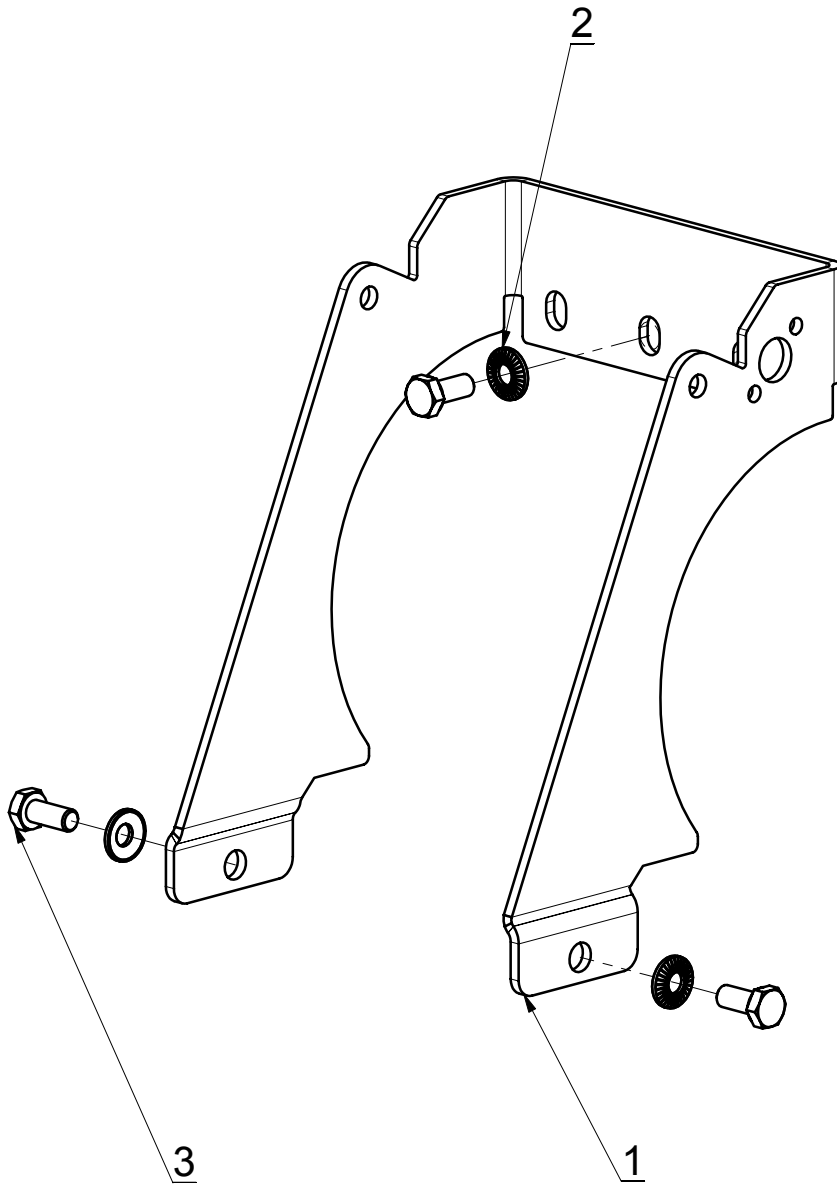


# Venturi nozzle kit - Ø90

Reference : SEM01-26-014

					Weight : 1.07 Kg
Seep	Reference	Description	Qty.	Weight	Comments
1	SEM01-26-665	Venturi nozzle exit cone - Ø90	1	0.60	
2	SEM01-26-666	Venturi nozzle entry cone - Ø90	1	0.44	
3	RDC6	Washer Ø6 - yellow electro zinc	4	0.003	
4	VCHC6-010-FT	Screw CHc - M6 x 10 - 8.8 - bichromated yellow	4	0.01	

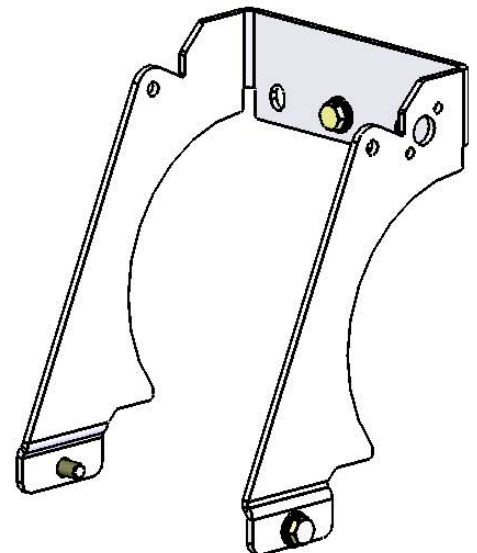


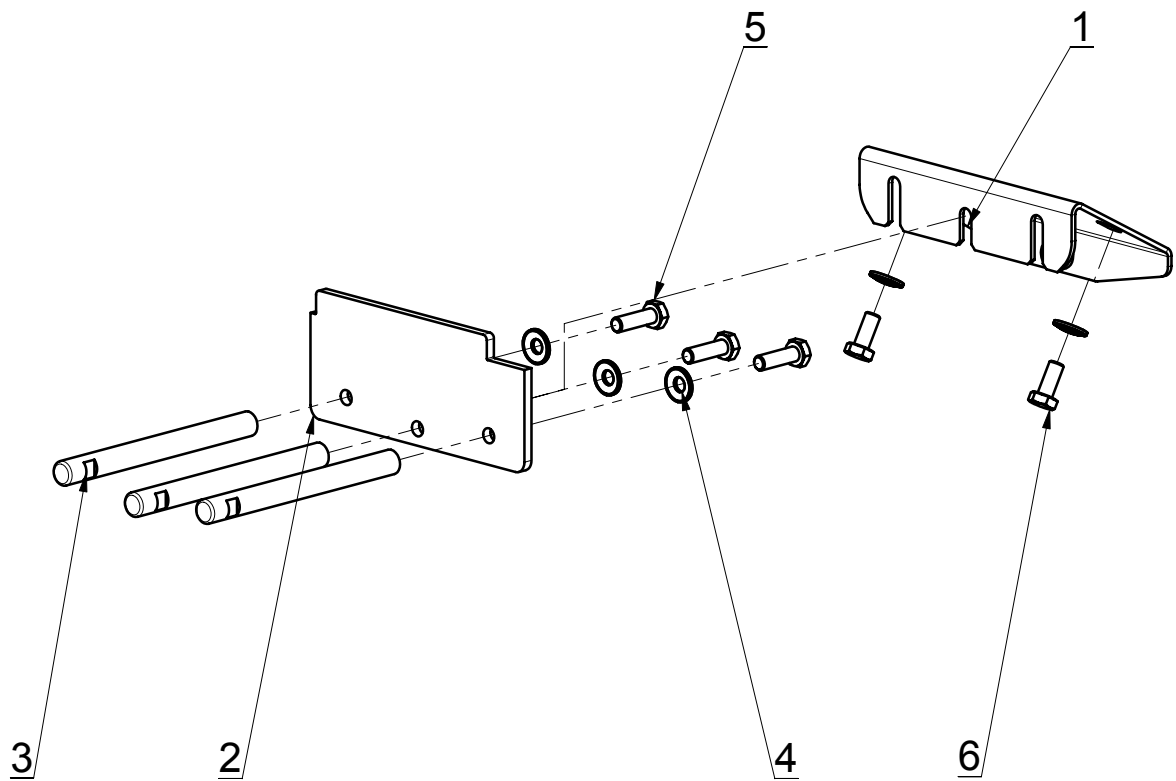


# Fluted feed drill section closure kit

Reference : SEM01-26-002

					Weight : 0.50 Kg
Seep	Reference	Description	Qty.	Weight	Comments
1	SEM01-26-625	Fluted feed drill section closure casing	1	0.47	
2	RDC6	Washer Ø6 - yellow electro zinc	3	0.003	
3	VH6-014-FT	Screw H - M6 x 14 - 8.8 - bichromated yellow	3	0.006	

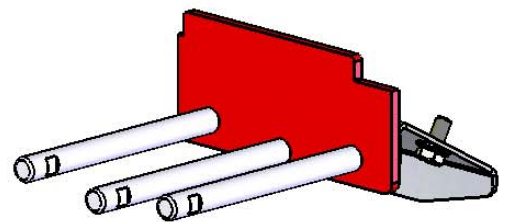


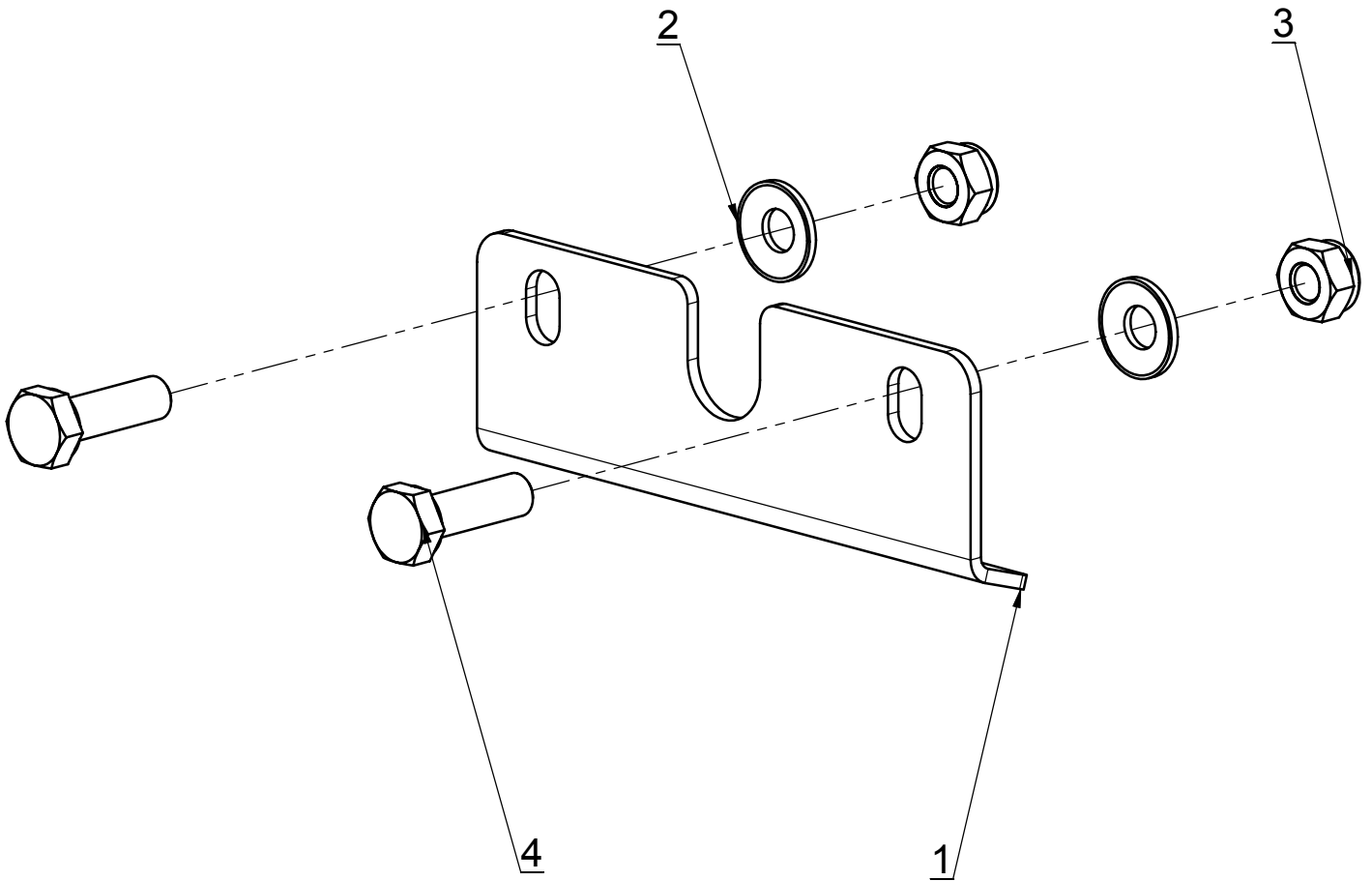


# Sealed flap kit

Reference : SEM01-27-035

					Weight : 0.61 Kg
Seep	Reference	Description	Qty.	Weight	Comments
1	SEM01-26-510	Crimped distribution emptying ramp	1	0.19	
2	SEM01-27-635	Sealing flap	1	0.19	
3	SEM01-26-620	Distribution shaft	3	0.06	
4	RDC6	Washer Ø6 - yellow electro zinc	5	0.003	
5	VH6-020-FT	Screw H - M6 x 20 - 8.8 - bichromated yellow	3	0.007	
6	VH6-014-FT	Screw H - M6 x 14 - 8.8 - bichromated yellow	2	0.006	

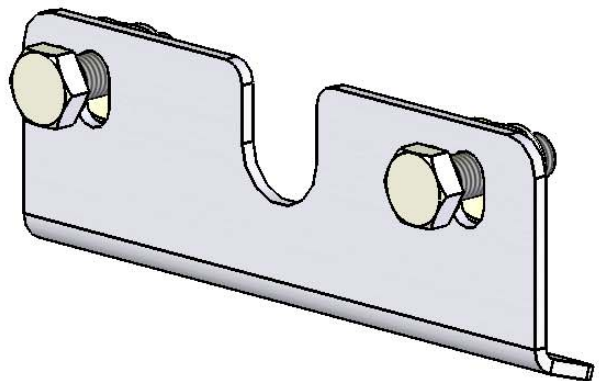


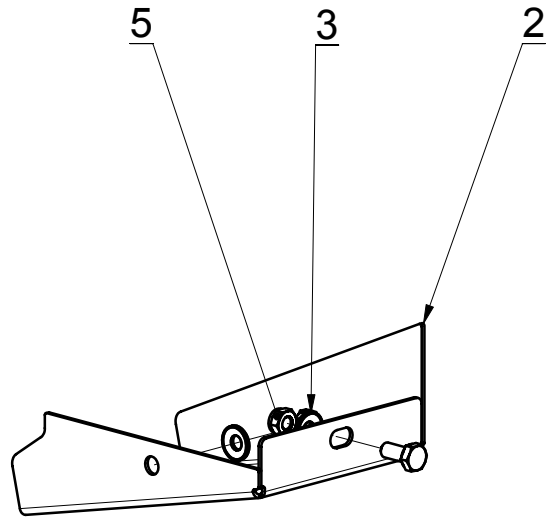
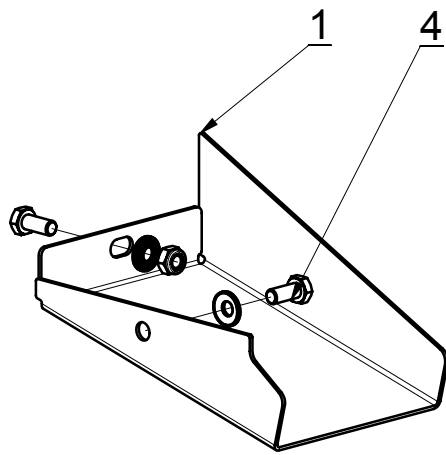


# Sealing selector kit

Reference : SEM01-26-005

					Weight : 0.08 Kg
Seep	Reference	Description	Qty.	Weight	Comments
1	SEM01-26-660	Sealing selector	1	0.06	
2	RDC6	Washer Ø6 - yellow electro zinc	2	0.001	
3	EN6	Nylstop Nut M6 - 8 - white zinc-coated	2	0.00	
4	VH6-020-FT	Screw H - M6 x 20 - 8.8 - white zinc-coated	2	0.007	



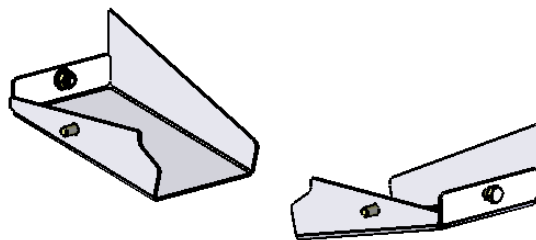


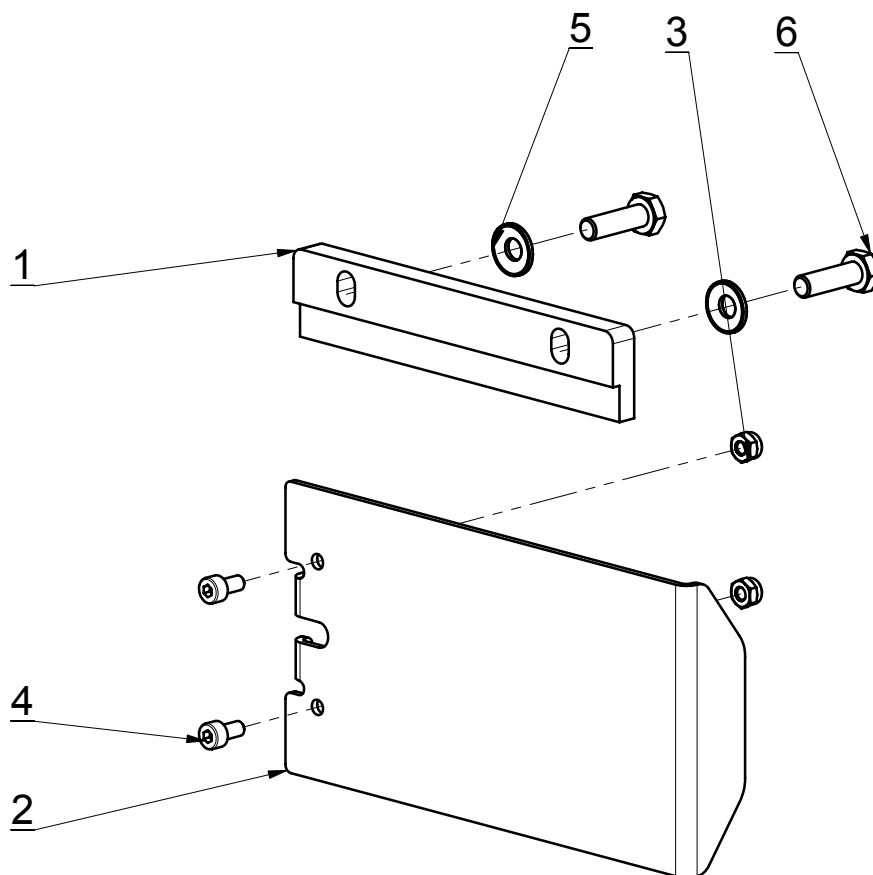


# Spout kit

Reference : SEM01-26-003

					Weight : 0.58 Kg
Seep	Reference	Description	Qty.	Weight	Comments
1	SEM01-26-645	Right-hand delivery spout	1	0.27	
2	SEM01-26-646	Left-hand delivery spout	1	0.27	
3	RDC6	Washer Ø6 - yellow electro zinc	4	0.003	
4	VH6-014-FT	Screw H - M6 x 14 - 8.8 - bichromated yellow	4	0.006	
5	EN6	Nylstop Nut M6 - 8 - bichromated yellow	2	0.003	

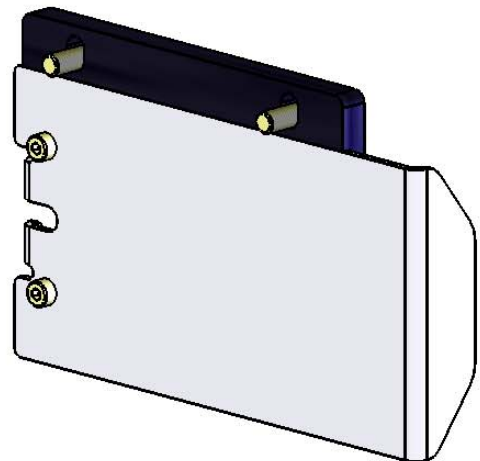


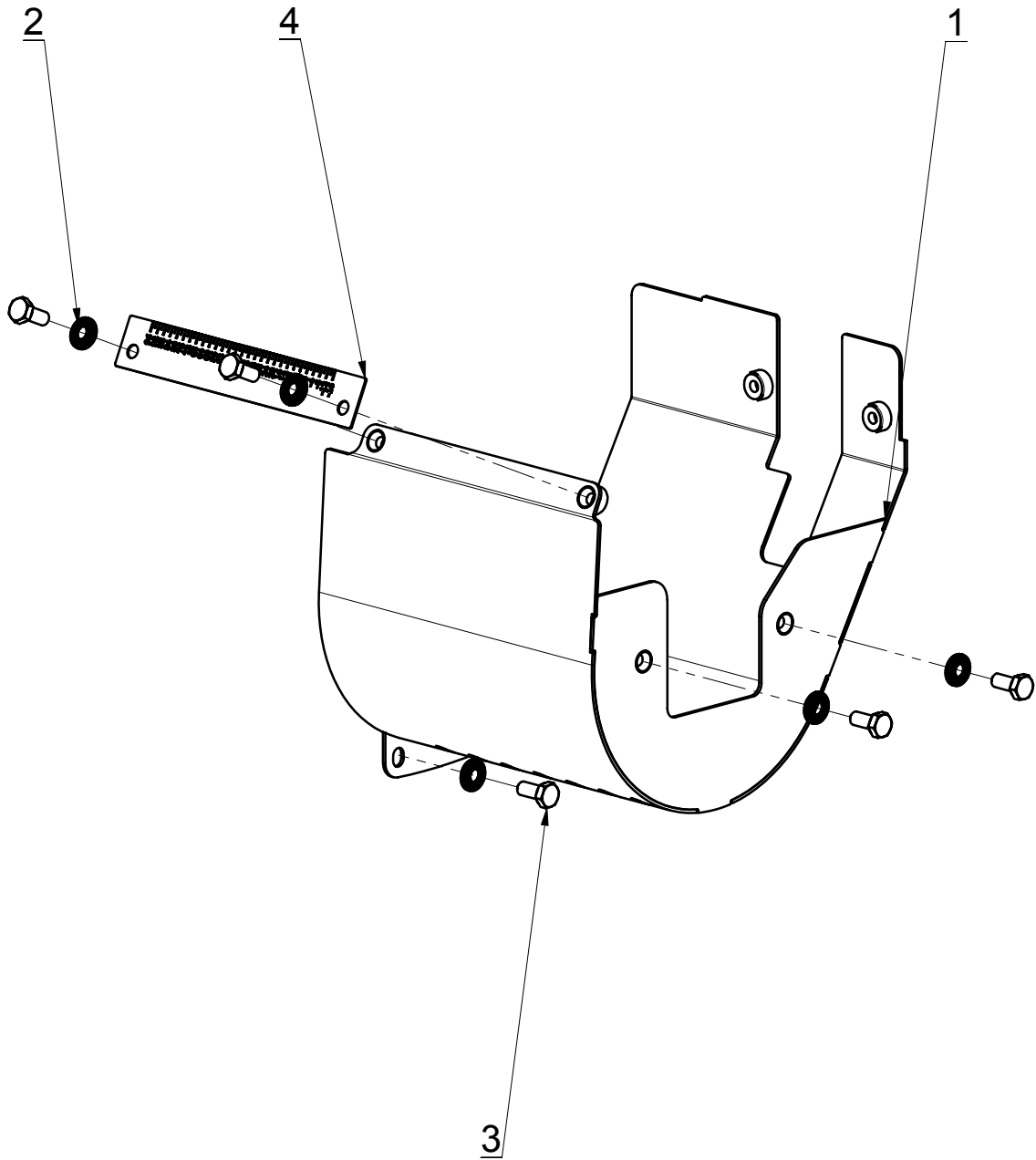


# Emptying trap kit

Reference : SEM01-26-007

					Weight : 0.25 Kg
Seep	Reference	Description	Qty.	Weight	Comments
1	SEM01-27-630	Hopper emptying sliding draw	1	0.02	
2	SEM01-26-651	Hopper emptier draw	1	0.20	
3	EN4	Nylstop Nut M4 - 8 - bichromated yellow	2	0.001	
4	VCHC4-008-FT	Screw CHc - M4 x 8 - 8.8 - bichromated yellow	2	0.00	
5	RDC6	Washer Ø6 - yellow electro zinc	2	0.003	
6	VH6-020-FT	Screw H - M6 x 20 - 8.8 - bichromated yellow	2	0.007	

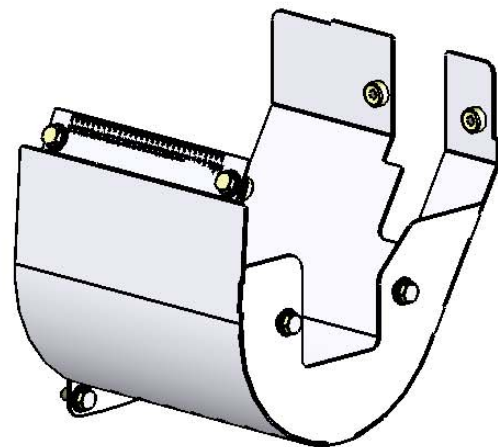


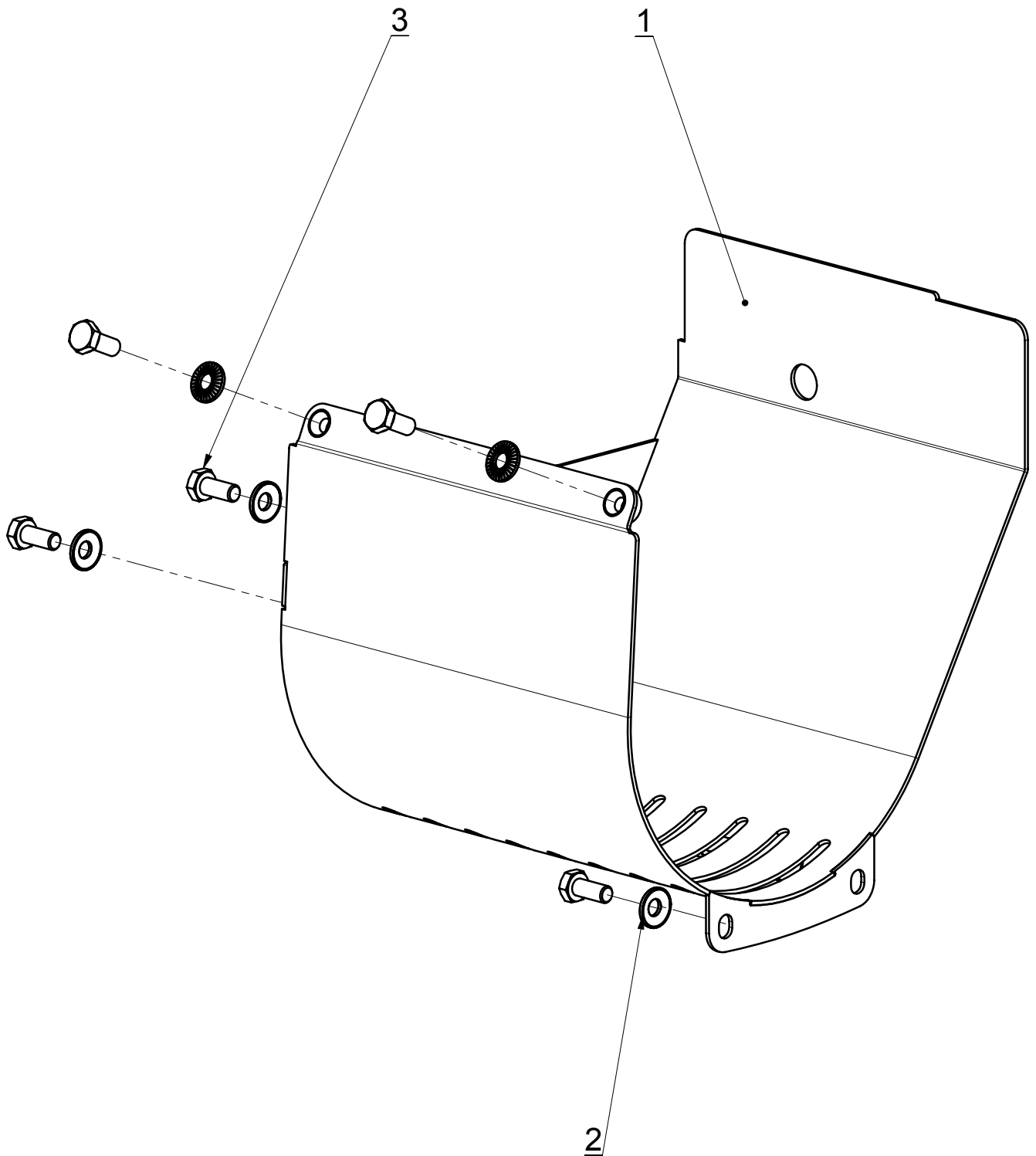


# Righthand fluted feed drill casing kit

Reference : SEM01-21-020

					Weight : 1.01 Kg
Seep	Reference	Description	Qty.	Weight	Comments
1	SEM01-21-501	Right-hand delivery spout	1	0.95	
2	RDC6	Washer Ø6 - yellow electro zinc	6	0.003	
3	VH6-014-FT	Screw H - M6 x 14 - 8.8 - bichromated yellow	6	0.006	
4	SEM01-26-670	Delivery rate graduation	1	0.01	

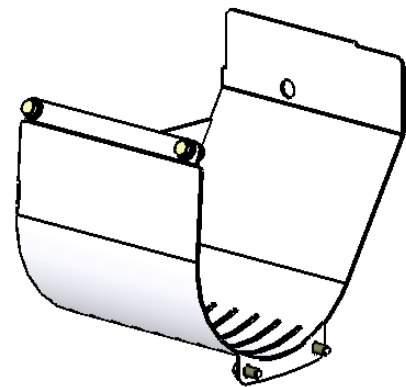


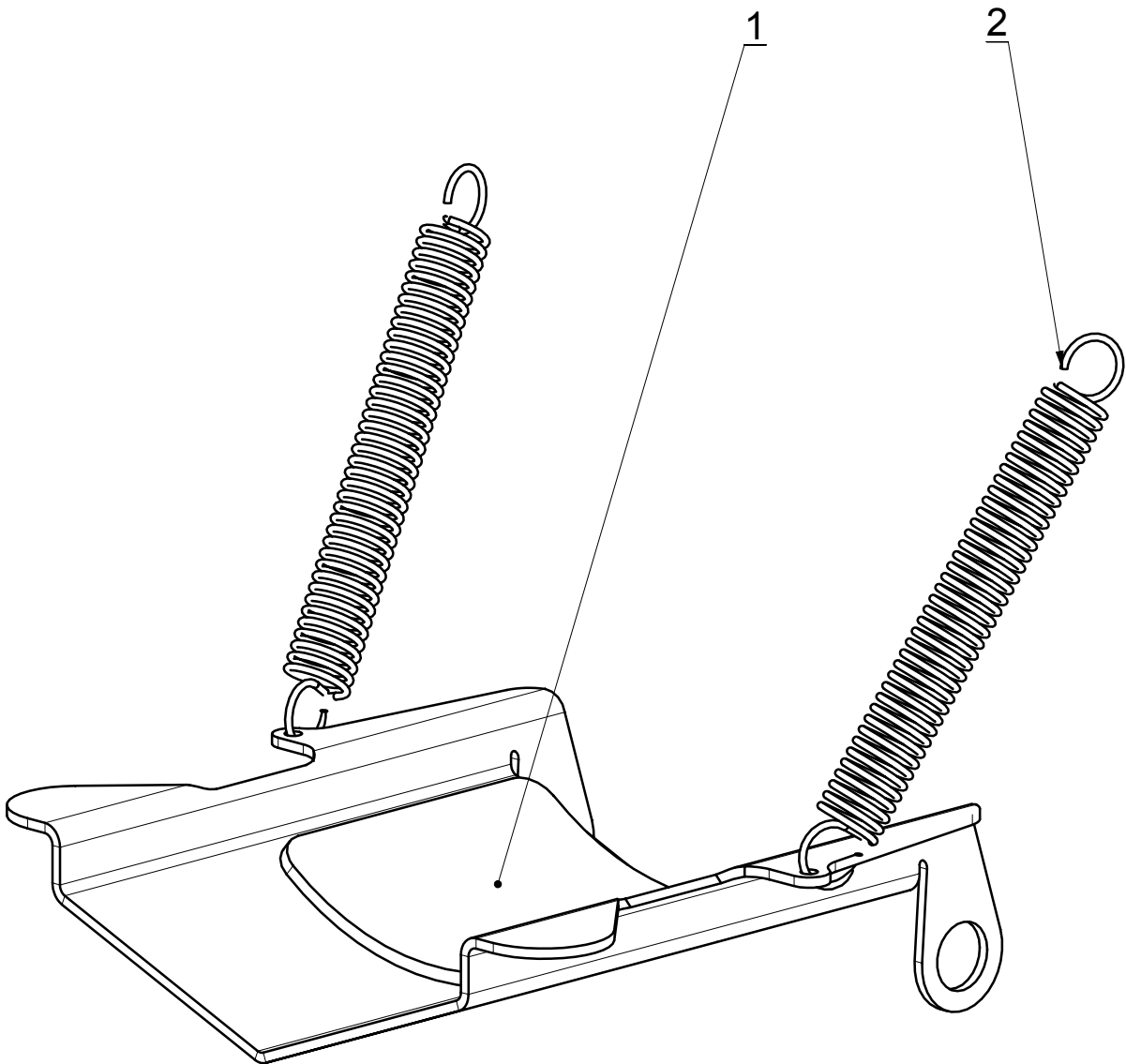


# Lefthand fluted feed drill casing kit

Reference : SEM01-21-021

					Weight : 1.03 Kg
Seep	Reference	Description	Qty.	Weight	Comments
1	SEM01-21-504	Left-hand delivery spout	1	0.98	
2	RDC6	Washer Ø6 - yellow electro zinc	6	0.003	
3	VH6-014-FT	Screw H - M6 x 14 - 8.8 - bichromated yellow	6	0.006	



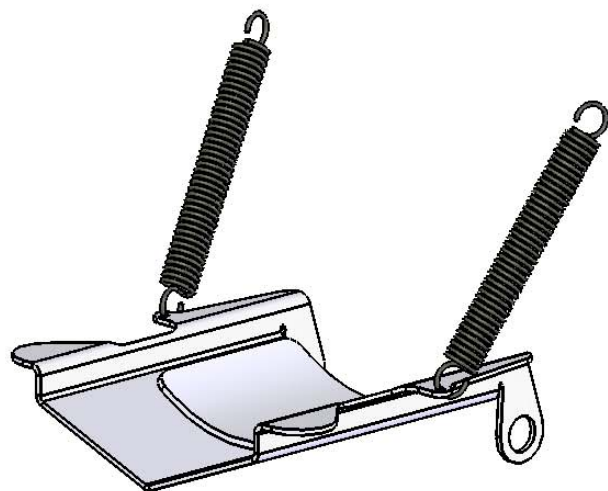


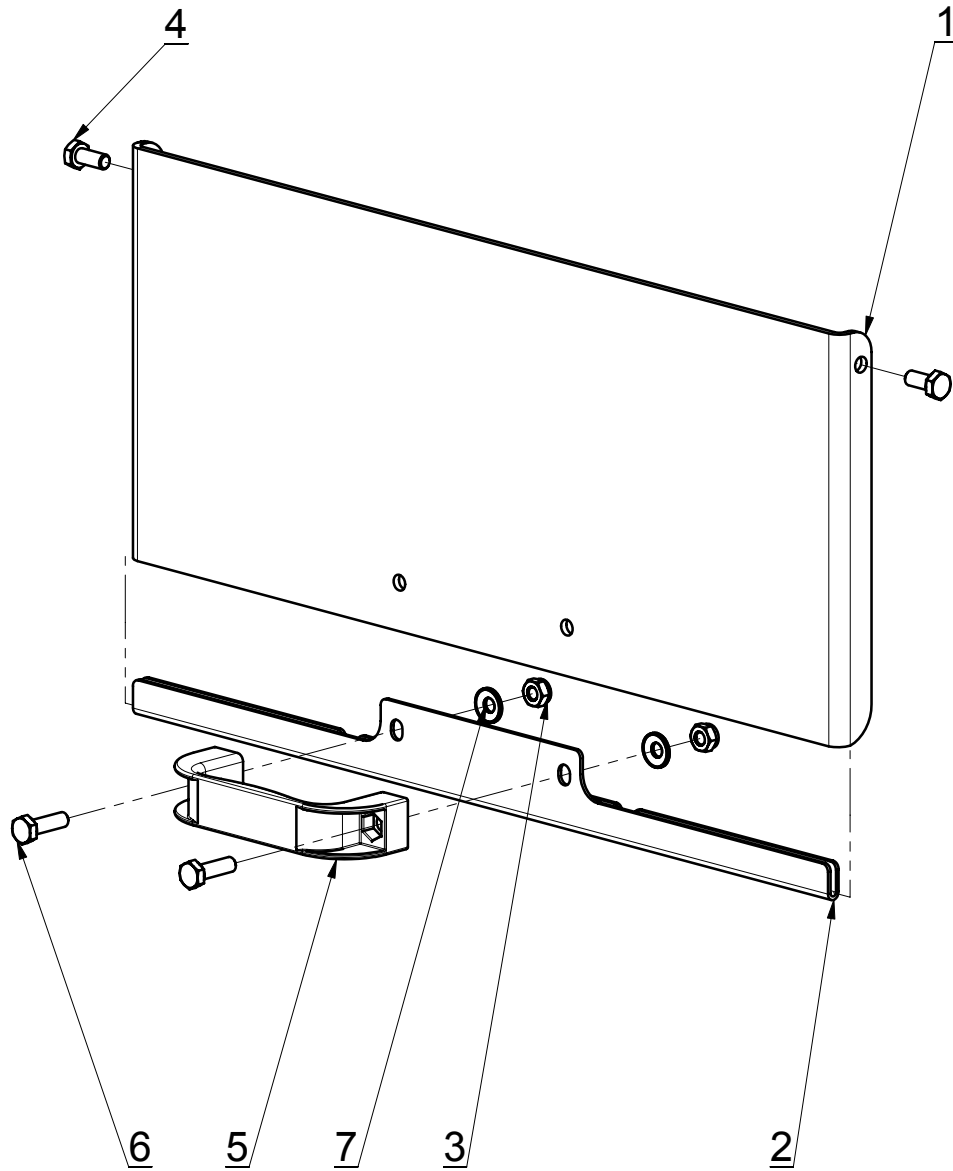


# Dosing trap kit - Ø90

Reference : SEM01-26-016

					Weight : 0.21 Kg
Seep	Reference	Description	Qty.	Weight	Comments
1	SEM01-26-516	Dosing trap - Venturi Ø90	1	0.19	
2	SEM01-25-610	Traction spring Ø1 - Ø10 - 70	2	0.01	

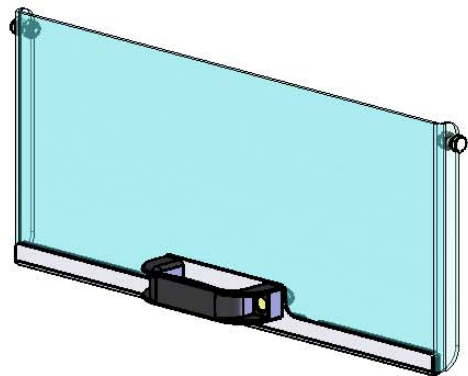


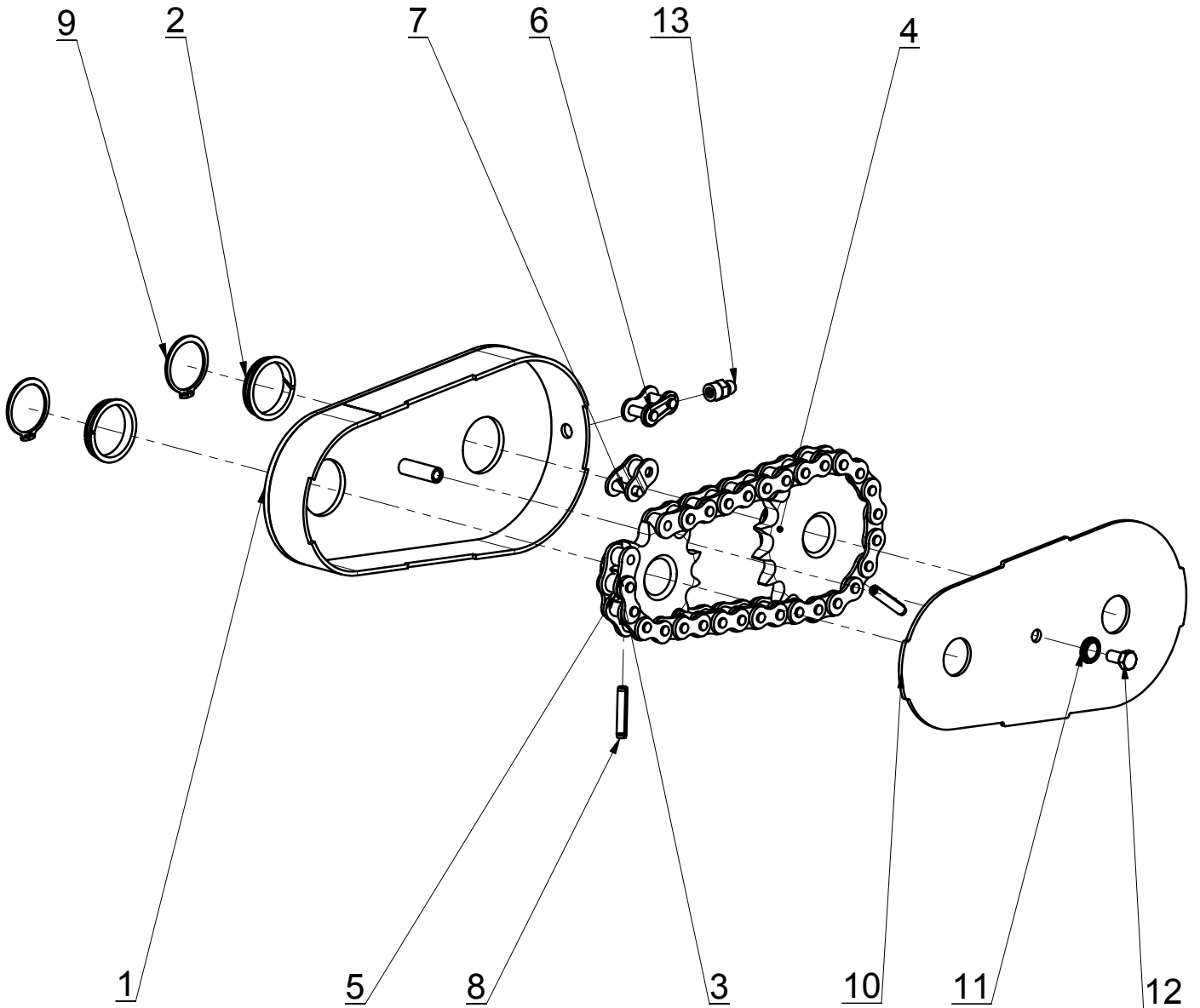


# Distribution casing kit

Reference : SEM01-21-015

					Weight : 2.08 Kg
Seep	Reference	Description	Qty.	Weight	Comments
1	SEM01-21-625	Distribution casing	1	1.70	
2	SEM01-21-626	Rigidification selector	1	0.17	
3	EN6	Nylstop Nut M6 - 8 - bichromated yellow	4	0.003	
4	VH6-014-FT	Screw H - M6 x 14 - 8.8 - bichromated yellow	2	0.006	
5	PM6-94	Maintenance handle Ø6-94	1	0.17	
6	VH6-020-FT	Screw H - M6 x 20 - 8.8 - bichromated yellow	2	0.007	
7	RDC6	Washer Ø6 - yellow electro zinc	2	0.003	

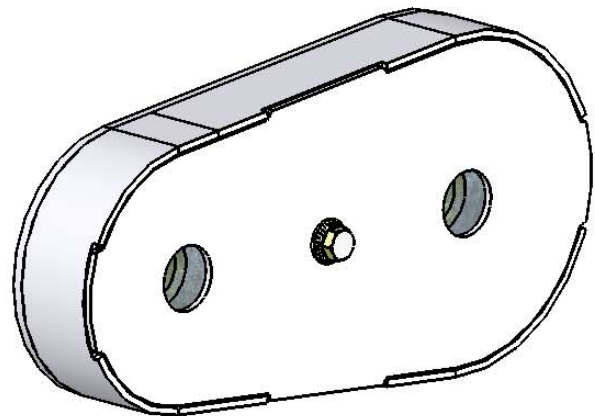


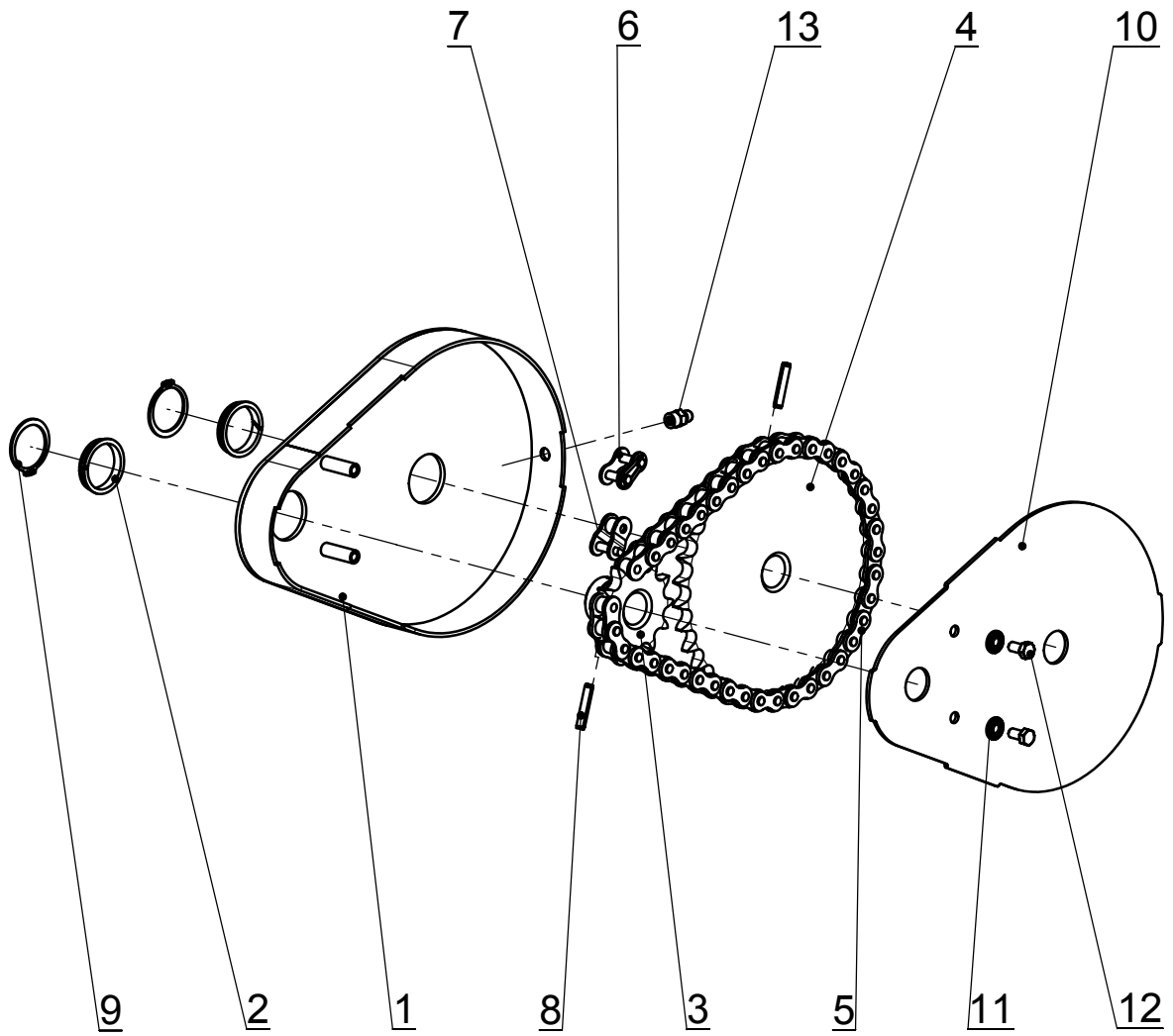


# Box r=12/17

Reference : SEM01-27-025

					Weight : 1.46 Kg
Seep	Reference	Description	Qty.	Weight	Comments
1	SEM01-21-505	box main part	1	0.50	
2	MCM-25-03	Bearing clip Ø25 - 3	2	0.00	
3	PIGN12,7-12-1	Pinion 08B1-12 teeth- 12,7- Ø17,5	1	0.133	
4	PIGN12,7-17-1	Pinion 08B1-17 teeth- 12,7- Ø17,5	1	0.291	
5	SEM01-22-603	Chain - DIN 8187- Thread 12,7 - 29 links	1	0.29	
6	CRS-08B1-AR	Fast,simple clip 12,7	1	0.01	
7	CRS-08B1-MCS	Single-bend link 12,7	1	0.01	
8	GES5-24-E	Thick spiraled elastic pin Ø5 x 24	2	0.002	
9	CE24-1,2	External circlip 24x1,2	2	0.002	
10	SEM01-21-632	Box lid	1	0.20	
11	RDC5	Washer Ø5 - yellow electro zinc	1	0.001	
12	VH5-010-FT	Screw H - M5 x 10 - 8.8 - bichromated yellow	1	0.003	
13	GRAI502	M8x1,25 Straight lubricator	1	0.005	

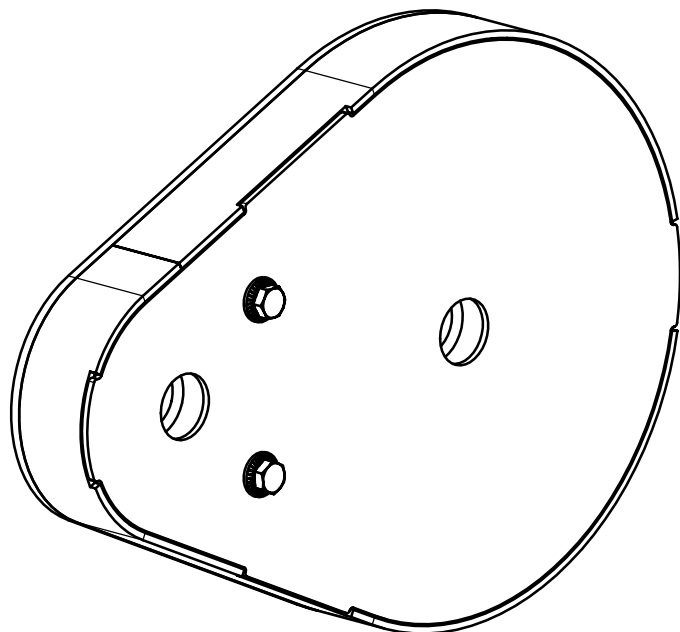




# Box r=6/17

Reference : SEM01-27-028

					Weight : 2.86 Kg
Seep	Reference	Description	Qty.	Weight	Comments
1	SEM01-21-515	box main part	1	0.82	
2	MCM-25-03	Bearing clip Ø25 - 3	2	0.00	
3	PIGN12,7-12-1	Pinion 08B1-12 teeth- 12,7- Ø17,5	1	0.133	
4	PIGN12,7-34-1	Pinion 08B1-34 teeth- 12,7- Ø17,5	1	1.077	
5	CRS-08B1-CS	Chain - DIN 8187- Thread 12,7 - 39 links	1	0.40	
6	CRS-08B1-AR	Fast,simple clip 12,7	1	0.02	
7	CRS-08B1-MCS	Single-bend link 12,7	1	0.01	
8	GES5-24-E	Thick spiraled elastic pin Ø5 x 24	2	0.002	
9	CE25-1,2	External circlip 25x1,2	2	0.002	
10	SEM01-21-652	Box lid	1	0.38	
11	RDC5	Washer Ø5 - yellow electro zinc	2	0.001	
12	VH5-010-FT	Screw H - M5 x 10 - 8.8 - white zinc-coated	2	0.003	
13	GRAI-502	M8x1,25 Straight lubricator	1	0.005	



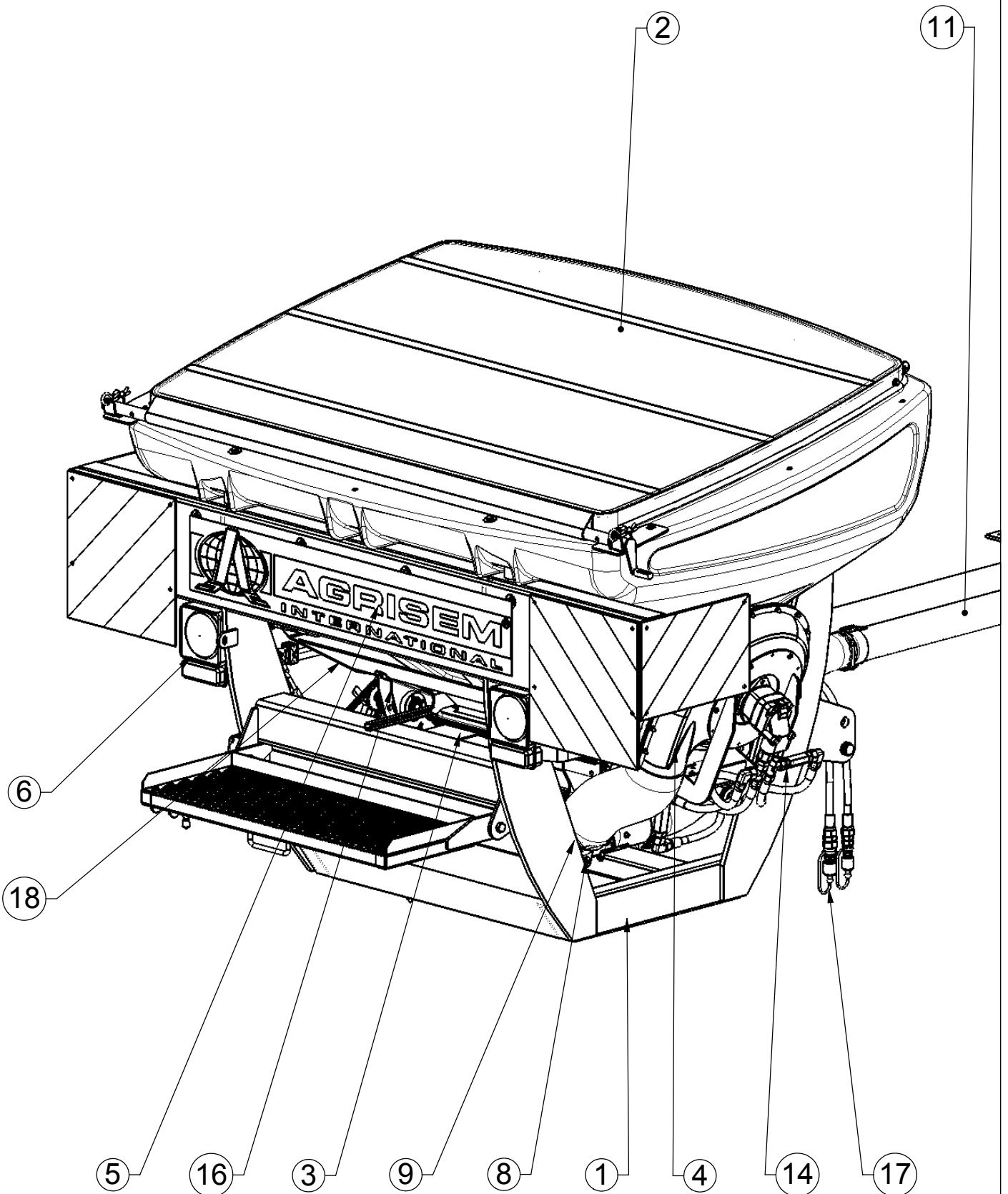
## ***SEED-DRILL SPARE PARTS***

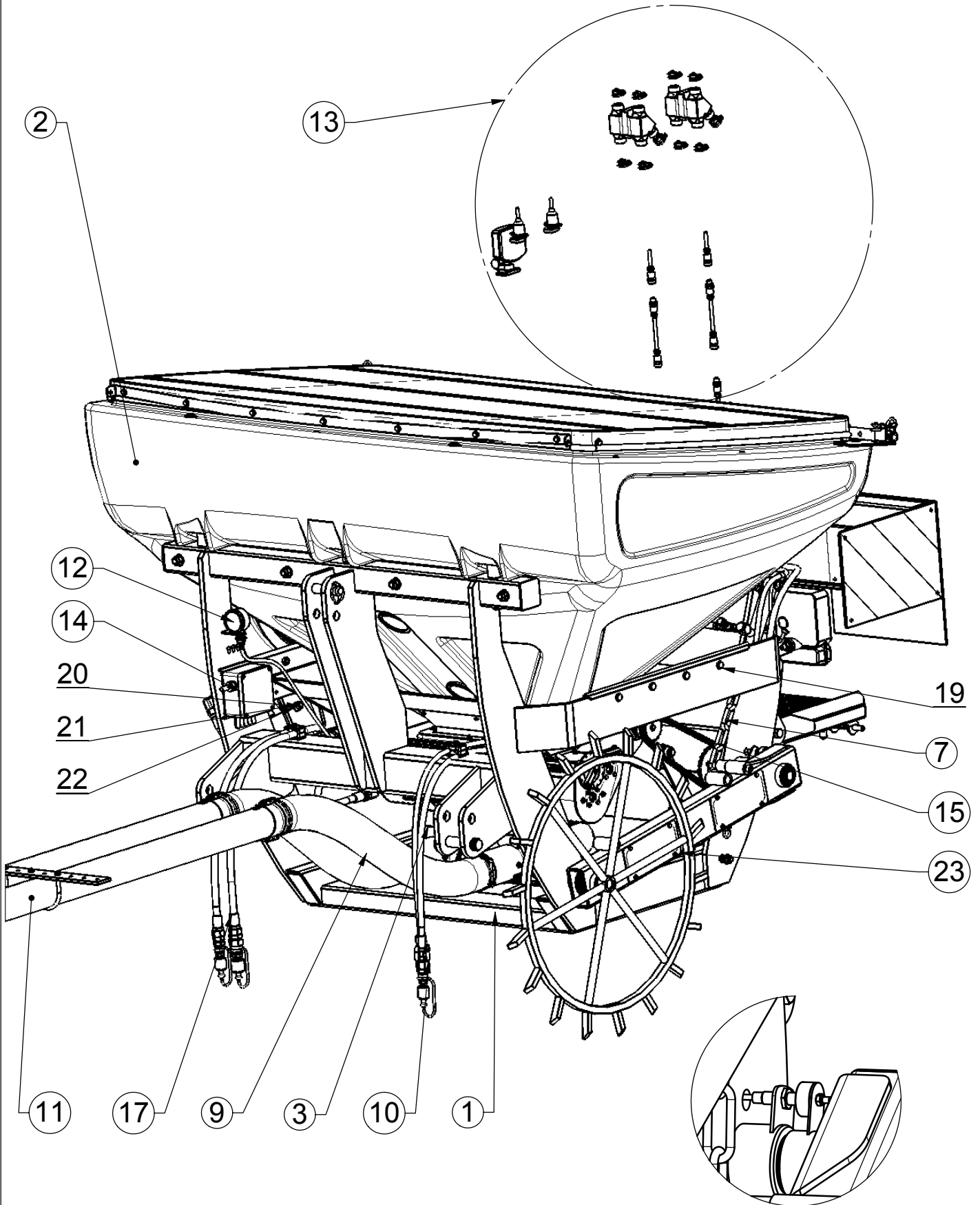
---



FRONT HOPPER DSF1500





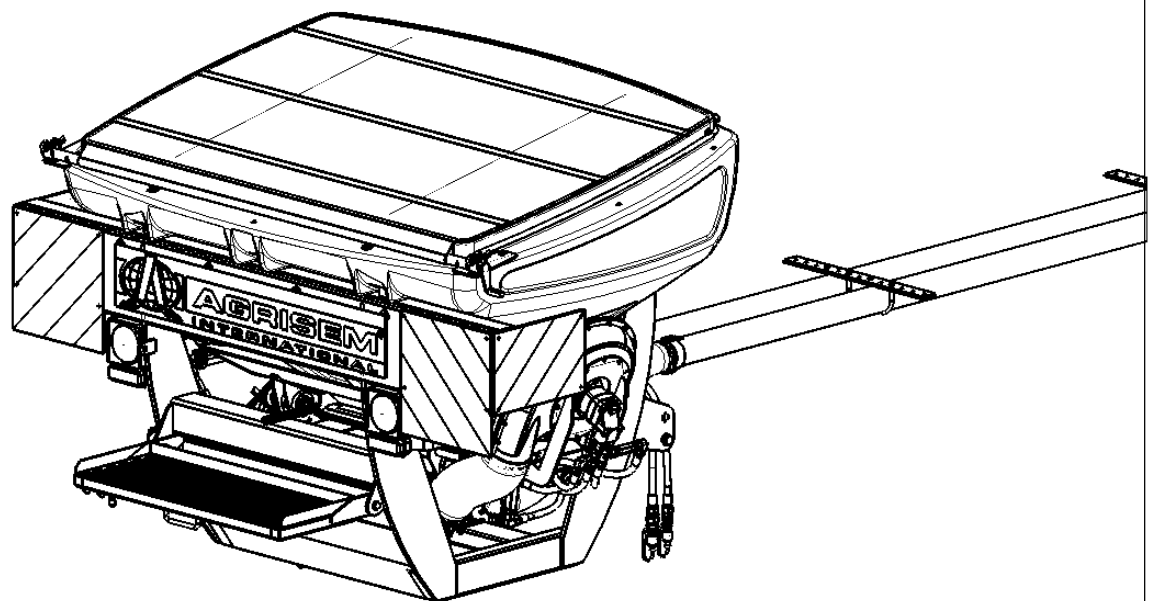


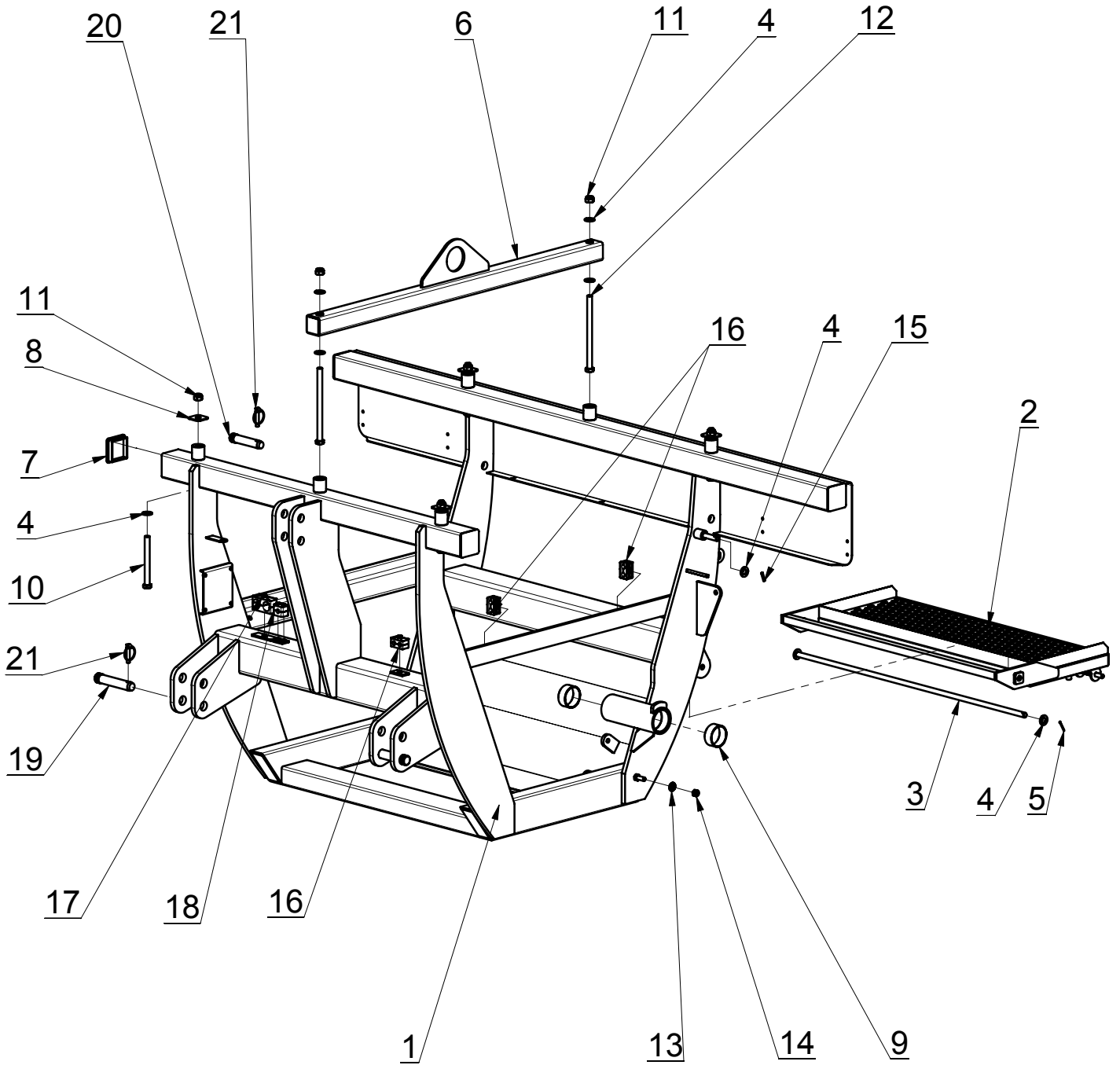
DÉTAIL AA  
ECHELLE 1 : 5

# Front hopper

Reference : DSF1500F-24

					Weight : 774.65 Kg
Seep	Reference	Description	Qty.	Weight	Comments
1	SEM04-01-001	Framework kit Front Hopper DSF1500	1	387.88	
2	SEM04-28-000	Hopper kit 1500 litres	1	124.85	
3	SEM01-26-010	Distribution - Ø90	1	37.55	
4	SEM01-29-025	Turbine kit	1	31.33	
5	ETIQ-684	AGRISEM stickers lg : 1263	1	0.33	
6	SEM04-11-002	Signalling kit for DSF1500	1	9.52	
7	SEM04-12-001	Sun arm mounting kit	1	1.17	
8	SEM01-29-024	Connection kit	1	2.59	
9	sem04-32-005	Hose kit for front hopper	1	14.17	
10	SEM04-20-001	Sun arm mounting hydraulic kit	1	3.10	
11	SEM04-32-002	Front hopper extension kit	1	51.46	
12	SEM04-32-003	Manometer kit for DSF1500	1	0.39	
13	SEM04-30-050	Marking kit for DSF1500	1	19.07	
14	SEM01-31-011	Hydraulic kit for turbine CRARY	1	8.61	
15	SEM04-21-004	Distribution driving kit for DSF1500-24	1	3.04	
16	SEM01-26-021	Single distribution drive kit	1	3.44	
17	SEM04-20-003	Hydraulic hose kit	1	6.25	
18	SEM05-12-501	Distribution cradle	1	29.08	
19	VH12-025-FT	Screw H - M12 x 25 - 8.8 - white zinc-coated	8	0.040	
20	VH14-040-FT	Screw H - M14 x 40 - 8.8 - white zinc-coated	3	0.077	
21	RE14	Washer Ø14 - elastic white zinc-coated	3	0.007	
22	EN14	Nylstop Nut M14 - 8 - white zinc-coated	3	0.031	
23	SEM04-13-005	Sun wheel arms kit	1	40.15	

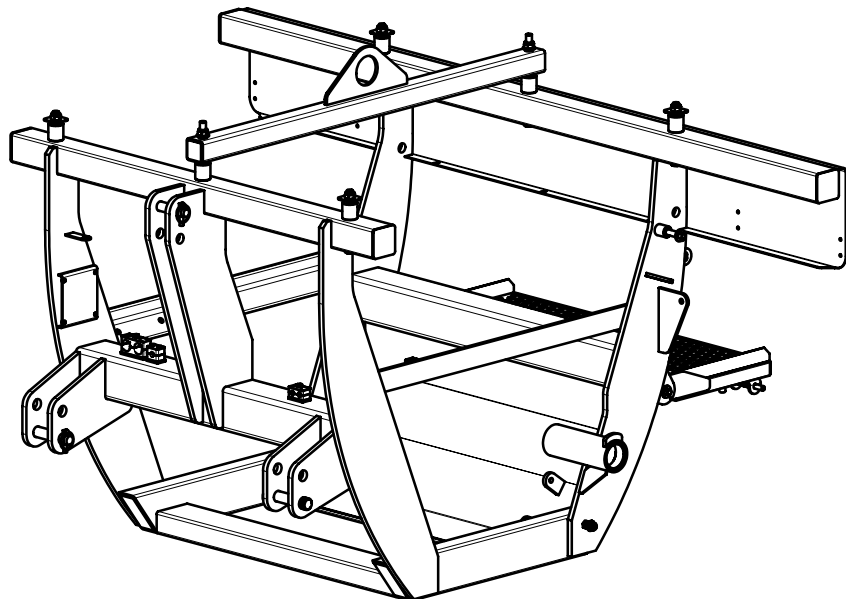


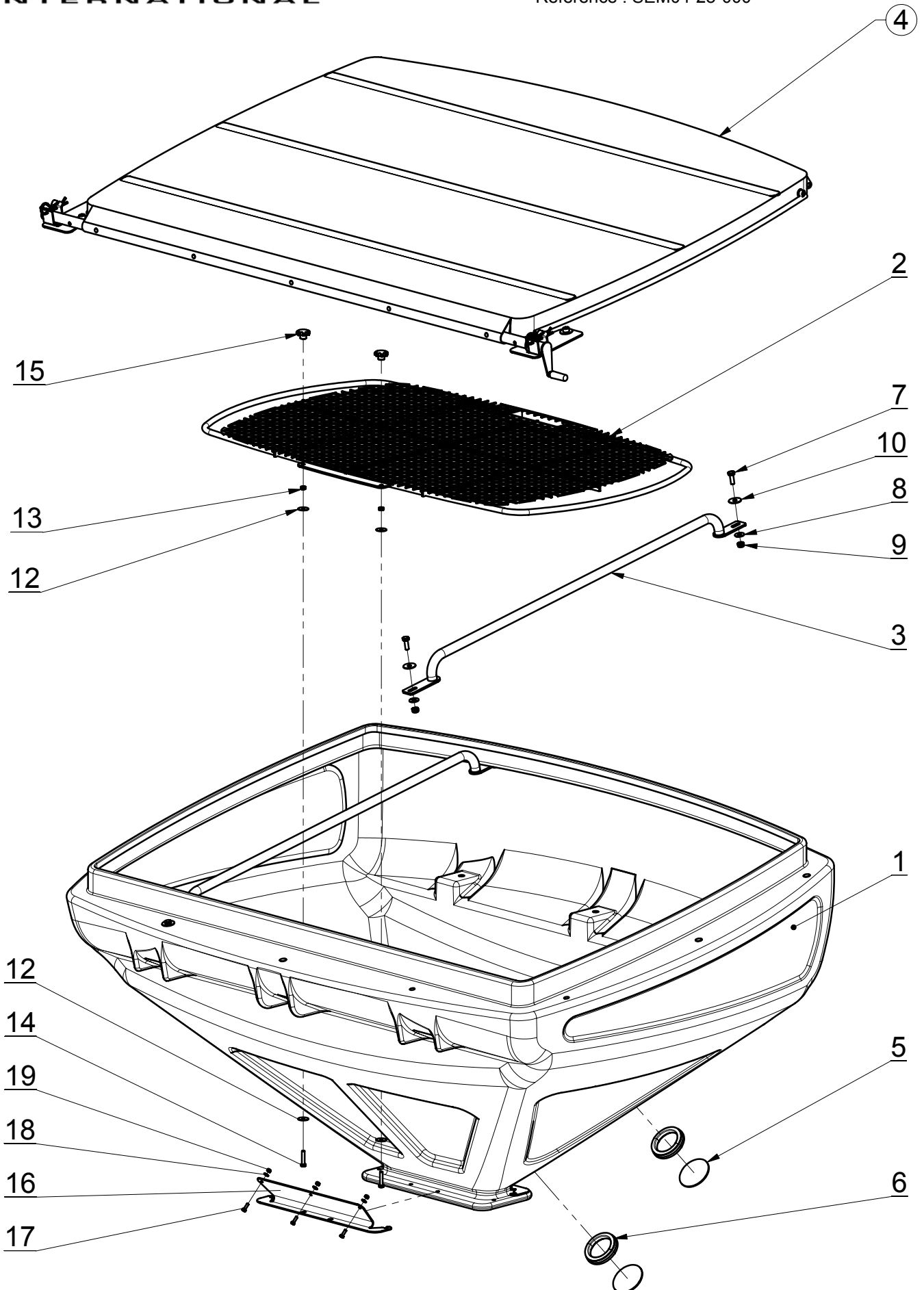


# Framework kit Front Hopper DSF1500

Reference : SEM04-01-001

					Weight : 372.55 Kg
Seep	Reference	Description	Qty.	Weight	Comments
1	SEM04-01-501	Framework	1	331.96	
2	SEM04-01-502	Gangway	1	21.10	
3	SEM04-01-505	Gangway shaft	1	1.64	
4	R16M	Average washer Ø16 - yellow electro zinc	10	0.01	
5	GCF3.2-030	Split cylindrical pin Ø3,2x30	1	0.00	
6	SEM04-01-504	Handling bar	1	12.06	
7	CT80805	Tube-mask 80x80x5	4	0.05	
8	SEM04-01-677	Hopper lock washer	4	0.05	
9	BF-521	Friction ring Ø65 - 30	2	0.09	
10	VH16-160	Screw H - M16 x 160 - 8.8 - bichromated yellow	4	0.291	
11	EN16	Nylstop Nut M16 - 8 - bichromated yellow	6	0.039	
12	VH16-240-10.9	Screw H - M16 x 240 - 10.9 - bichromated yellow	2	0.418	
13	RDC12	Washer Ø12 - yellow electro zinc	1	0.007	
14	EN12	Nylstop Nut M12 - 8 - bichromated yellow	1	0.020	
15	GE06-30	Elastic pin Ø6x30	1	0.00	
16	CPD13C	Double-threaded clamp for hose Ø13	3	0.09	
17	CPD30C	Double-threaded clamp for hose Ø30	1	0.14	
18	CP13C	Single-threaded clamp for hose Ø13	1	0.07	
19	28-120	Shaft Ø28 x 120	2	0.73	
20	25-095	Shaft Ø25 x 095 Cat.2	1	0.49	
21	GC-10	Bolt clip Ø10	3	0.05	

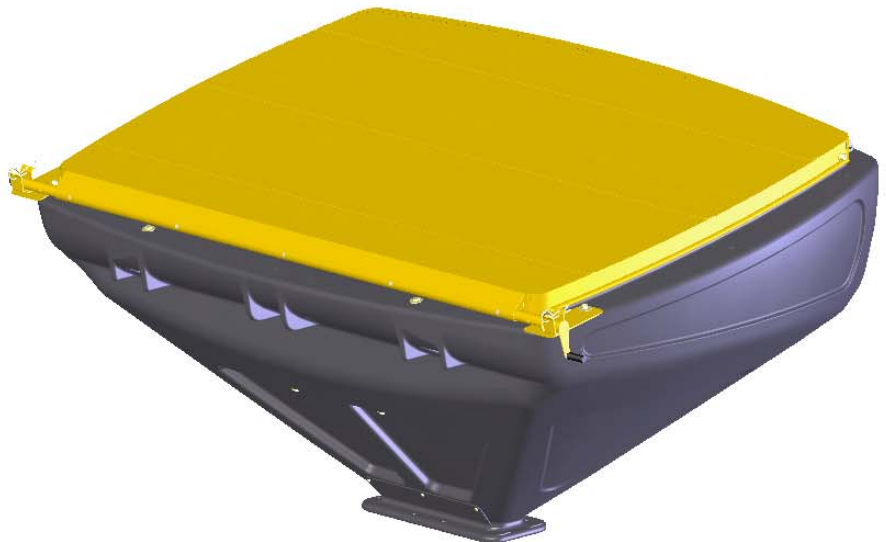


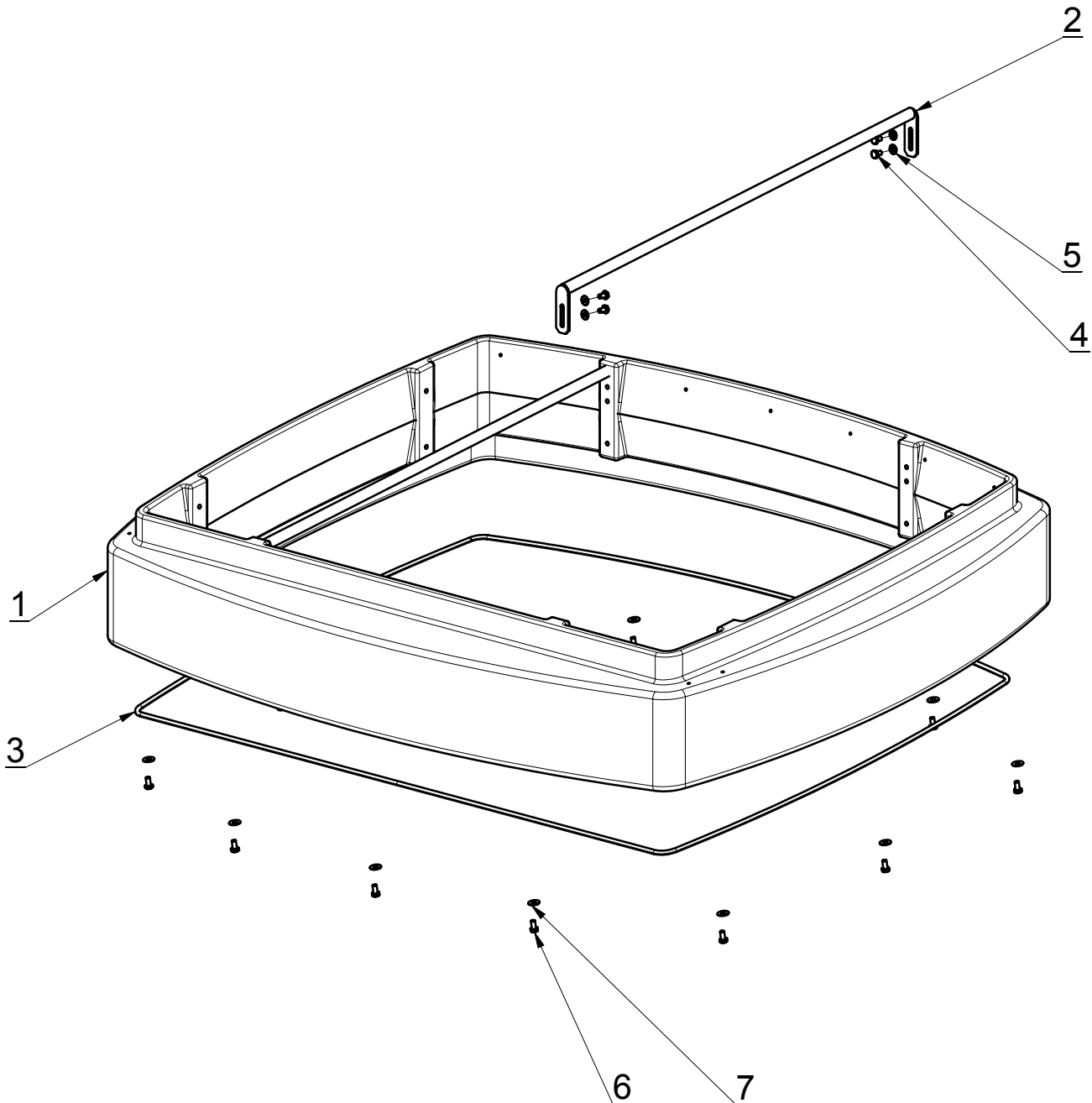


# Hopper kit 1500L

Reference : SEM04-28-000

					Weight : 91.71 Kg
Seep	Reference	Description	Qty.	Weight	Comments
1	SEM04-28-604	1500 litre hopper	1	50.79	
2	sem04-28-501	Hopper grill	1	15.74	
3	SEM04-28-507	Support tube for cover	2	2.93	
4	SEM04-28-005	Cover kit for 1500 litre hopper	1	15.63	
5	SEM04-28-605	Window	2	0.02	
6	JBP-6.5	Windscreen joint Lg 235	2	0.03	
7	VH10-030-FT	Screw H - M10 x 30 - 8.8 - bichromated yellow	4	0.031	
8	R10L	Large washer Ø10- electro zinc	4	0.01	
9	EN10	Nylstop Nut M10 - 8 - bichromated yellow	4	0.014	
10	R10LL	Extra large washer Ø10- electro zinc	4	0.01	
11	BDF	Plug	6	0.01	
12	R8LL	Extra large washer Ø8- electro zinc	4	0.01	
13	EH8	Nut H - M8 - 8 - bichromated yellow	2	0.005	
14	VH8-040-FT	Screw H - M8 x 40 - 8.8 - bichromated yellow	2	0.022	
15	BEP8	Star grip	2	0.08	
16	SEM04-28-650	Hopper bracing 1500L	2	1.49	
17	VH6-020-FT	Screw H - M6 x 20 - 8.8 - bichromated yellow	6	0.007	
18	R6M	Average washer Ø6 - yellow electro zinc	6	0.00	
19	EN6	Nylstop Nut M6 - 8 - bichromated yellow	6	0.003	



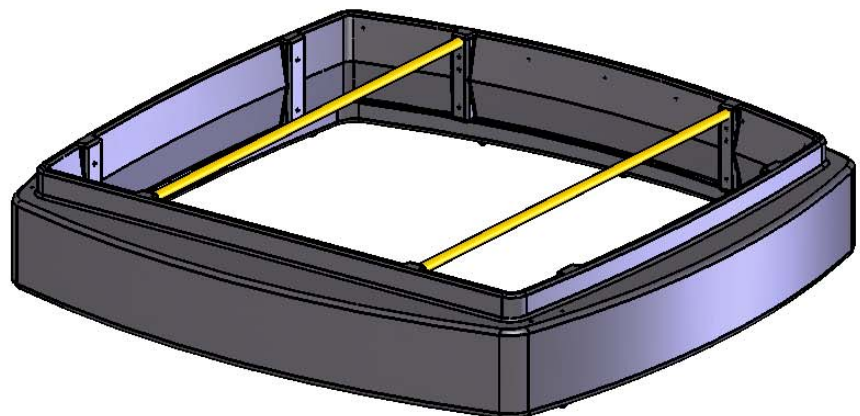


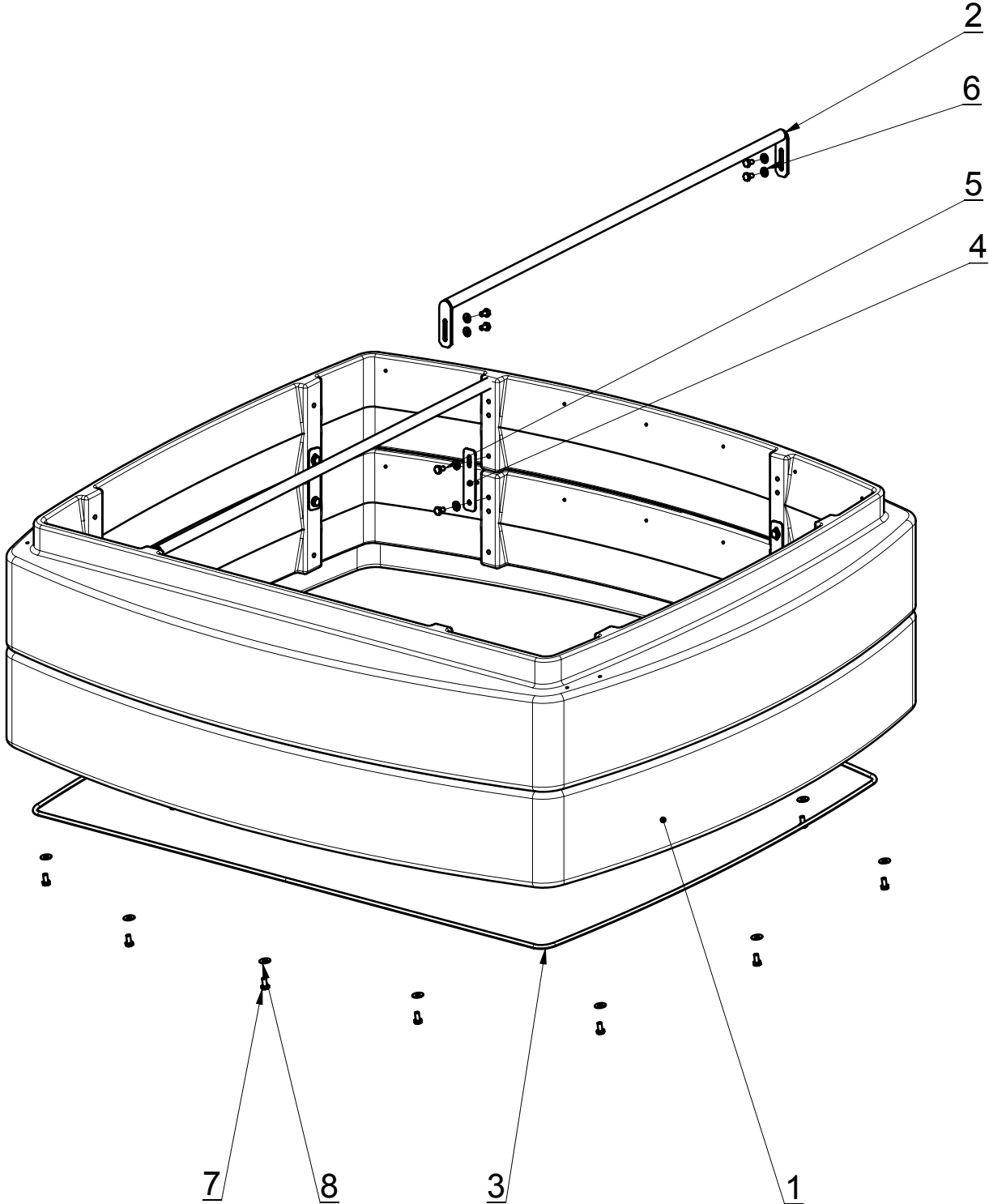


# Side extension kit 500L

Reference : DSF1500-010

					Weight : 42.99 Kg
Seep	Reference	Description	Qty.	Weight	Comments
1	SEM04-28-602	Side extension 500L	1	38.25	
2	SEM04-28-512	Tube cover support for side extension	2	1.98	
3	JADH08-5900	Sticker joint 8x10 ref:MF 08 lg:5900	1	0.17	
4	VH10-016-FT	Screw H - M10 x 16 - 8.8 - bichromated yellow	8	0.028	
5	RDC10	Washer Ø10 - yellow electro zinc	8	0.004	
6	VH10-020-FT	Screw H - M10 x 20 - 8.8 - bichromated yellow	12	0.028	
7	R10L	Large washer Ø10- electro zinc	12	0.01	

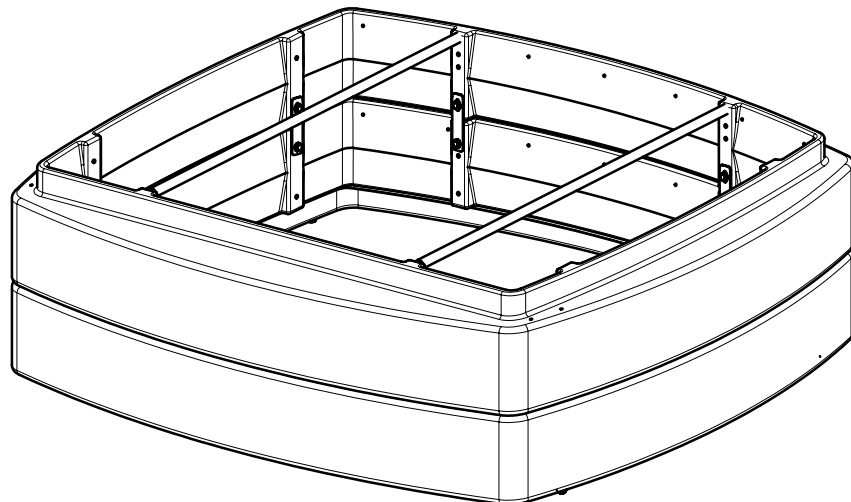


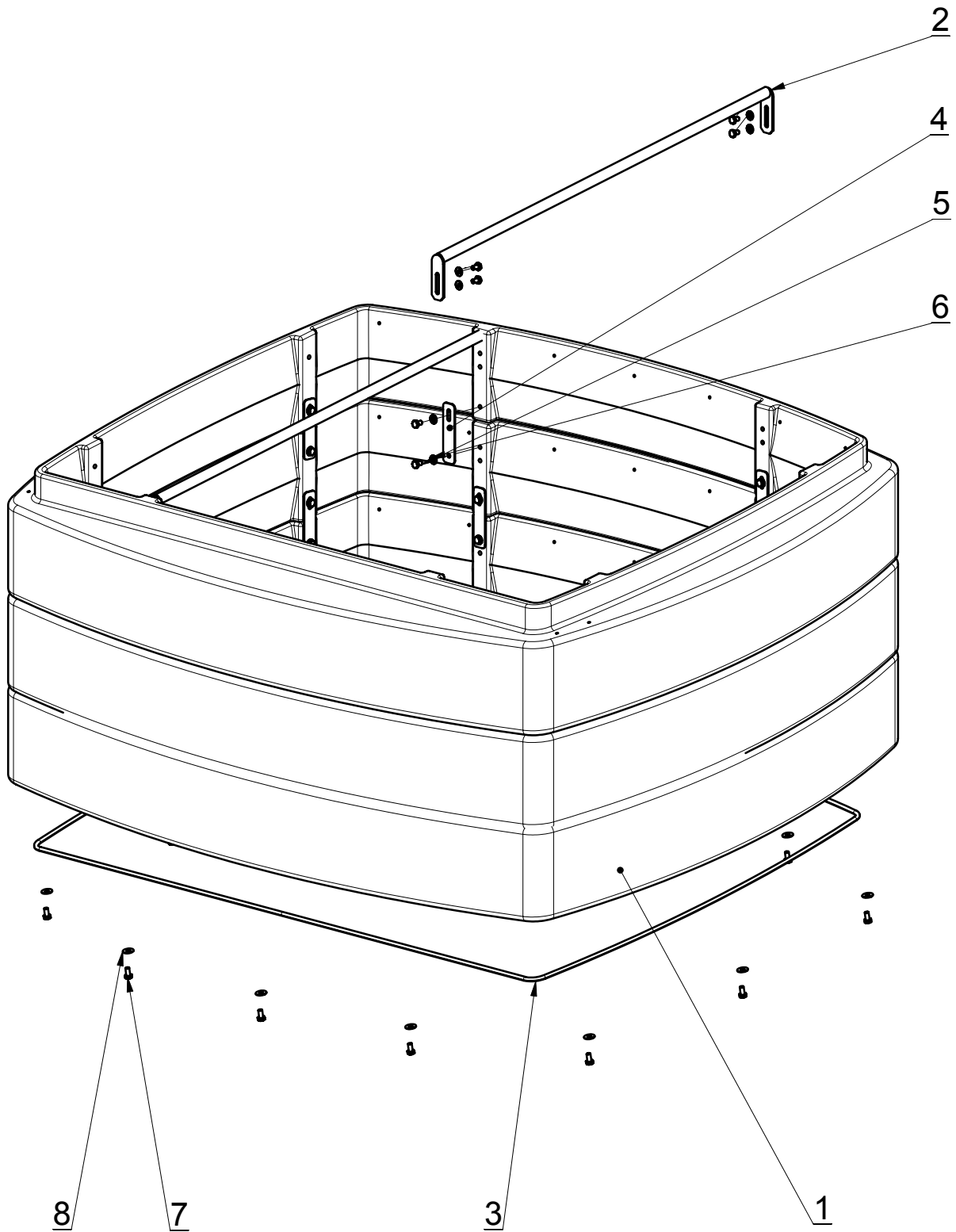


# Side extension kit 1000L

Reference : DSF1500-020

					Weight : 82.90 Kg
Seep	Reference	Description	Qty.	Weight	Comments
1	SEM04-28-602	Side extention 500L	2	38.25	
2	SEM04-28-512	Tube cover support for side extention	2	1.98	
3	JADH08-5900	Sticker joint 8x10 ref:MF 08 lg:5900	2	0.17	
4	SEM04-28-642	Side extension assembled plate	8	0.13	
5	VH10-016-FT	Screw H - M10 x 16 - 8.8 - bichromated yellow	24	0.028	
6	RDC10	Washer Ø10 - yellow electro zinc	24	0.004	
7	VH10-020-FT	Screw H - M10 x 20 - 8.8 - bichromated yellow	12	0.028	
8	R10L	Large washer Ø10- electro zinc	12	0.01	

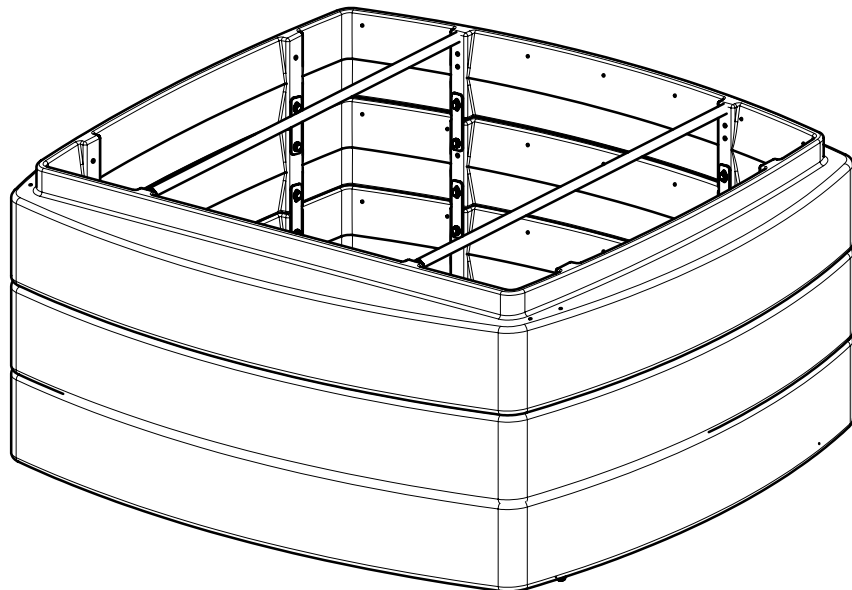


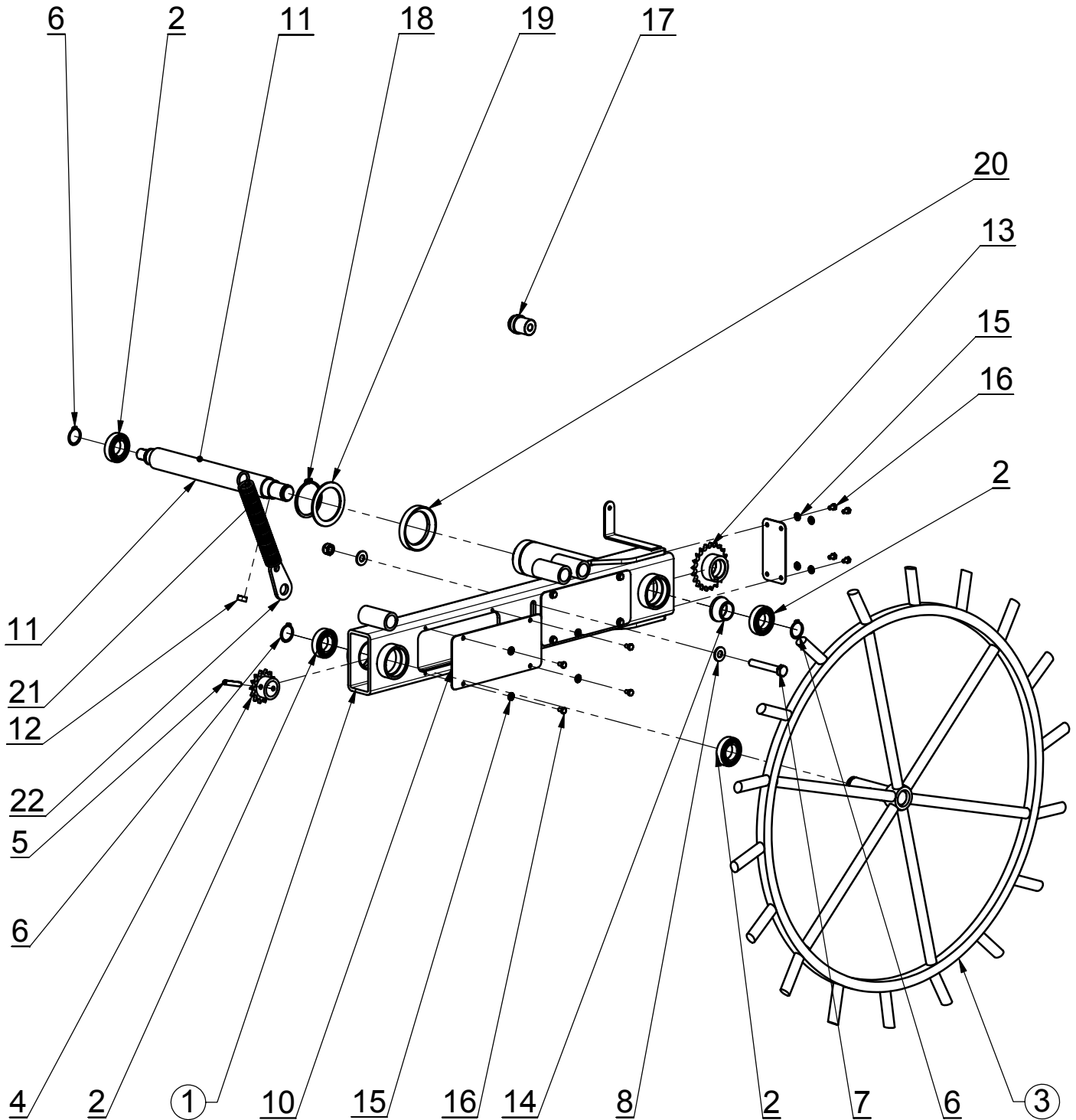


# Side extension kit 1500L

Reference : DSF1500-030

					Weight : 122.82 Kg
Seep	Reference	Description	Qty.	Weight	Comments
1	SEM04-28-602	Side extention 500L	3	38.25	
2	SEM04-28-512	Tube cover support for side extention	2	1.98	
3	JADH08-5900	Sticker joint 8x10 ref:MF 08 lg:5900	3	0.17	
4	SEM04-28-642	Side extension assembled plate	16	0.13	
5	VH10-016-FT	Screw H - M10 x 16 - 8.8 - bichromated yellow	40	0.028	
6	RDC10	Washer Ø10 - yellow electro zinc	40	0.004	
7	VH10-020-FT	Screw H - M10 x 20 - 8.8 - bichromated yellow	12	0.028	
8	R10L	Large washer Ø10- electro zinc	12	0.01	

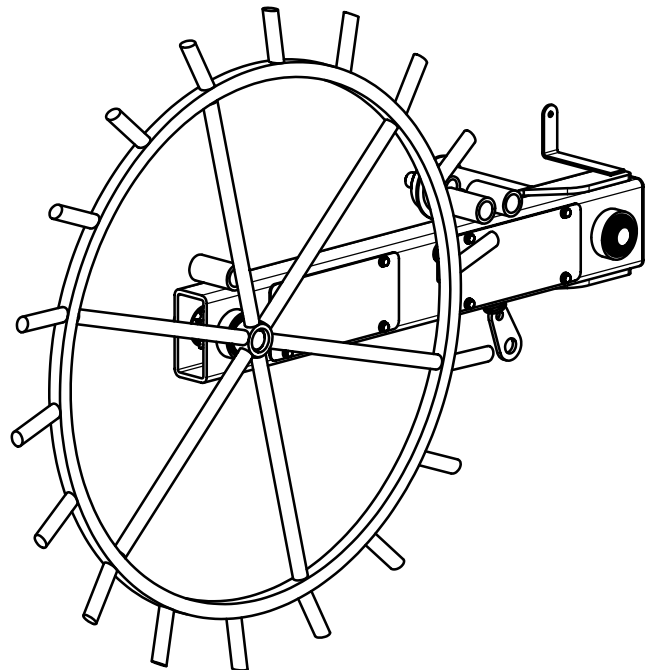


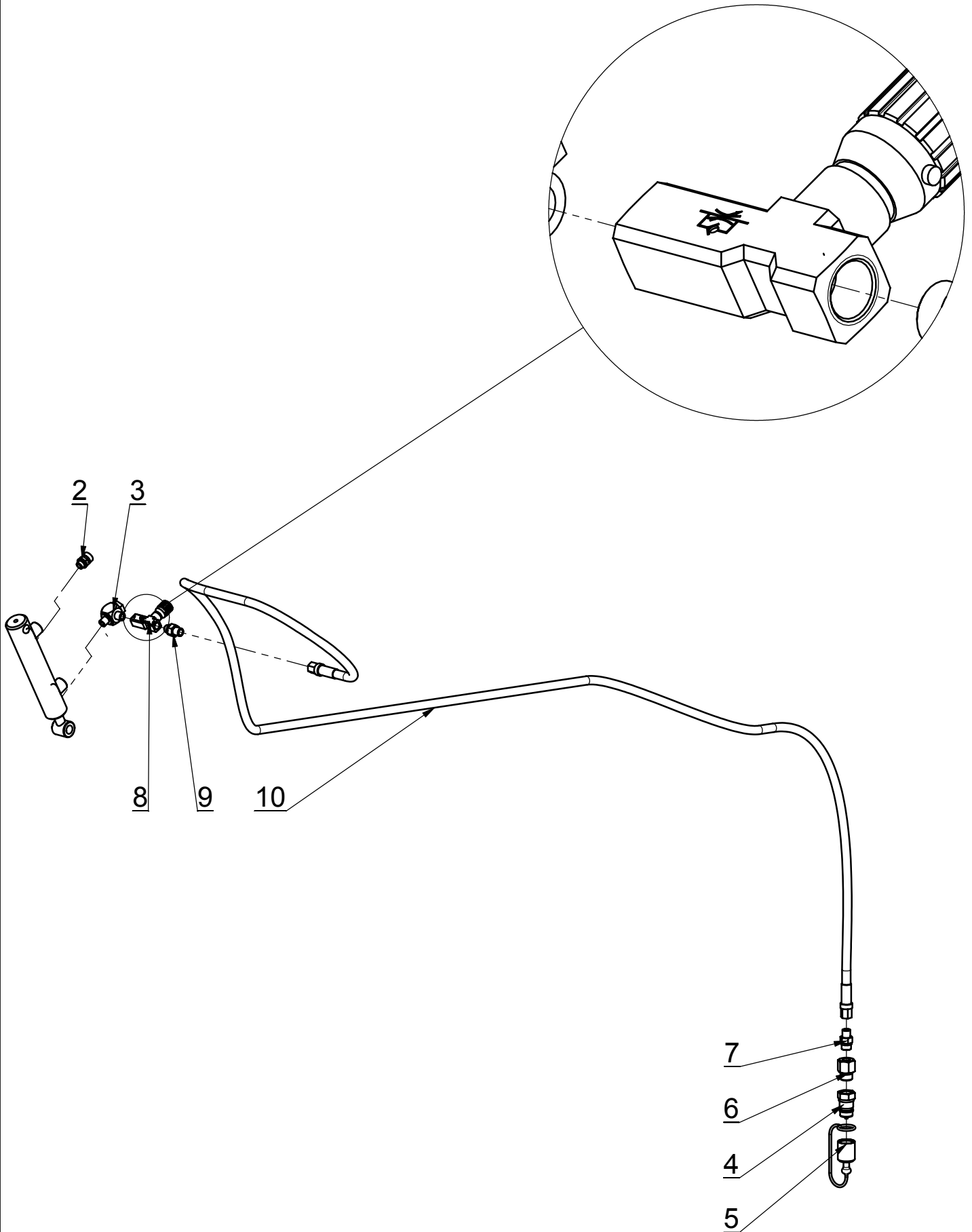


# Sun wheel arms for DSF

Reference : SEM04-13-003

					Weight : 40.22 Kg
Seep	Reference	Description	Qty.	Weight	Comments
1	SEM04-13-505	Sun wheel arms	1	17.38	
2	ROUL-515	Roll-on bearing Ø30x55x13 with joints	4	0.12	
3	SEM02-13-525	"Sun" wheel	1	16.37	
4	PIGN12,7-14-2	Pinion 08B1-14 teeth- 12,7- Ø30	1	0.181	
5	GE08-45	Elastic pin Ø8x45	1	0.01	
6	CE29-1,5	External circlip 29x1,5	3	0.003	
7	VH12-080	Screw H - M12 x 80 - 8.8 - white zinc-coated	1	0.089	
8	R12M	Average washer Ø12 - yellow electro zinc	2	0.01	
9	EN12	Nylstop Nut M12 - 8 - white zinc-coated	1	0.020	
10	SEM04-13-619	Covering iron sheet	2	0.39	
11	SEM02-13-603	Outer shaft for sun wheel	1	3.45	
12	CPA100820	Cotter pin 10x8x20	1	0.01	
13	PIGN12,7-21-11	Pignon-08B1-21 dents-12,7-Ø35	1	0.36	
14	SEM02-13-684	Cross piece	1	0.10	
15	RDC6	Washer Ø6 - yellow electro zinc	12	0.001	
16	VH6-010-FT	Screw H - M6 x 10 - 8.8 - white zinc-coated	12	0.005	
17	SEM04-13-614	Chain tension pulley	1	0.03	
18	CE65-2,5	External circlip 65x2,5	1	0.016	
19	SEM04-13-615	Washer Ø85 - Ø65 - 3	1	0.06	
20	SEM04-13-620	Cross piece Ø85 - Ø65 - 14	1	0.20	
21	GRG2000000	Traction spring Ø4 - Ø30 - 210	1	0.38	
22	SEM02-13-607	Spring attachment	1	0.11	
23	SEM04-13-617	Covering screen	1	0.11	



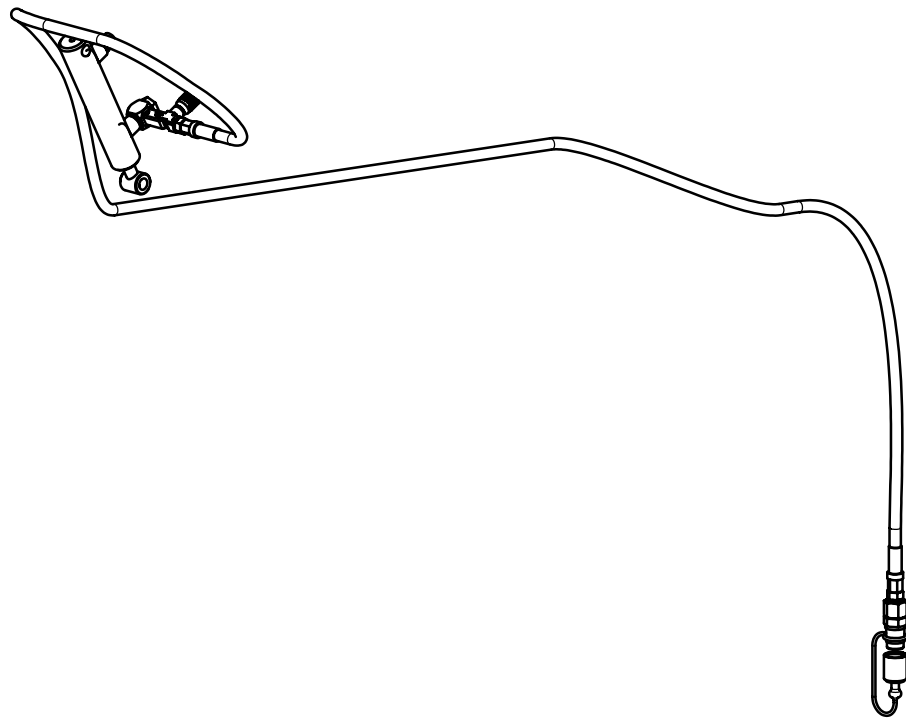


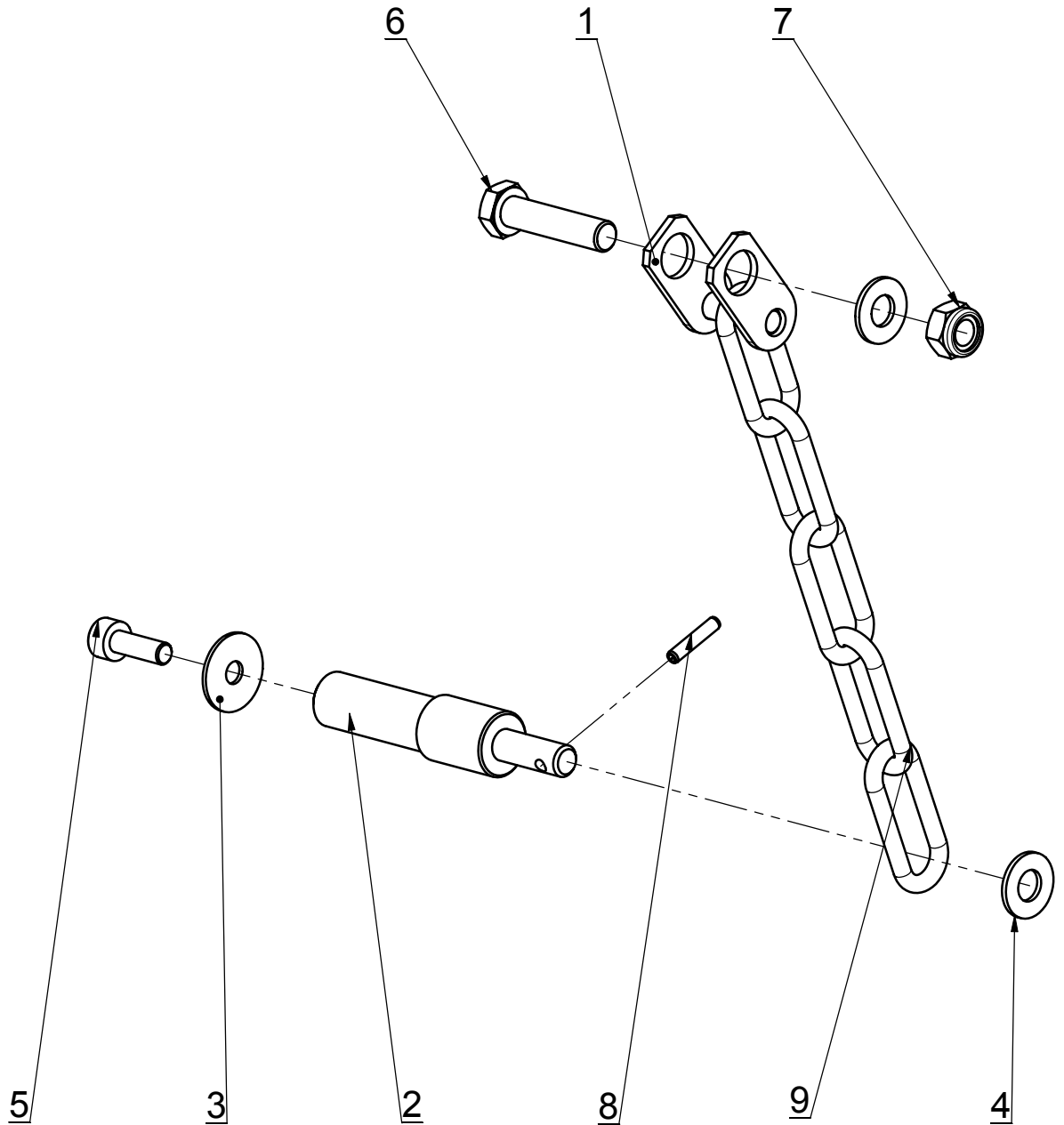


# Sun arm mounting hydraulic kit

Reference : SEM04-20-001

					Weight : 3.10 Kg
Seep	Reference	Description	Qty.	Weight	Comments
1	V160320100	Double-acting ram 1/4' gas (stroke 100)	1	1.73	
2	REN014	Breather 1/4" gas	1	0.04	
3	CB08L014R	Case DIN 08L 1/4" gas	1	0.19	
4	CHMC012	Male valve coupler 1/2" gas	1	0.11	
5	TF1521R	Female plug for male coupler CHMC012 red	1	0.02	
6	UMF012R038R	Male femele union 1/2" gas - 3/8" gas	1	0.12	
7	UM8L038R	Male union fitting 3/8" gas - DIN8L	1	0.05	
8	LDU14R	Unidirectional flow control valve 1/4" gas	1	0.19	
9	UM8L014R	Male union fitting 1/4" gas - DIN8L	1	0.04	
10	2T-03700-08L-08L	Flexible coupling 3.70m DIN08L - DIN08L	1	0.49	

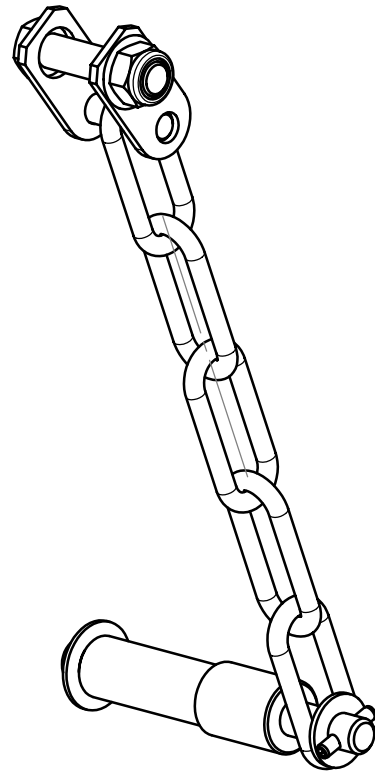


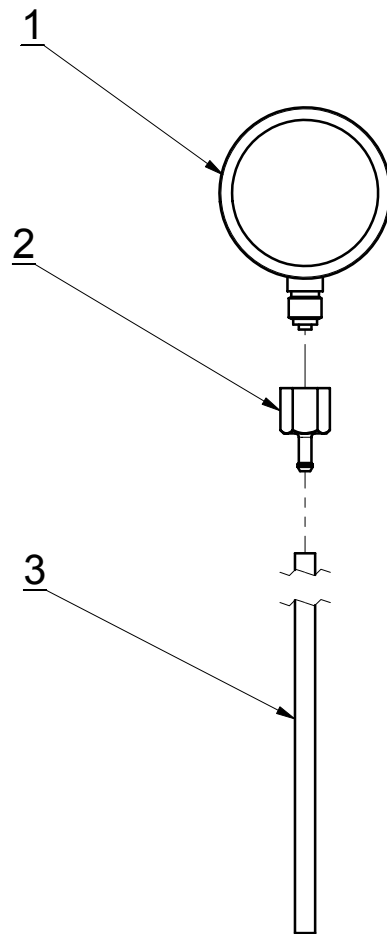


# Sun arm mounting kit

Reference : SEM04-12-001

					Weight : 1.17 Kg
Seep	Reference	Description	Qty.	Weight	Comments
1	SEM04-13-501	Jack clevis mounting	1	0.12	
2	SEM04-13-601	Chain shaft	1	0.52	
3	R10LL	Extra large washer Ø10- electro zinc	1	0.01	
4	R14M	Average washer Ø14 - yellow electro zinc	2	0.01	
5	VCHC10-030-FT	Screw CHc - M10 x 30 - 8.8 - white zinc-coated	1	0.23	
6	VH14-060	Screw H - M14 x 60 - 8.8 - white zinc-coated	1	0.101	
7	EN14	Nylstop Nut M14 - 8 - white zinc-coated	1	0.03	
8	GE06-30	Elastic pin Ø6x30	1	0.00	
9	MS52-16-8	Chain Ø8-52x16 - length : 0,29m	1	0.33	

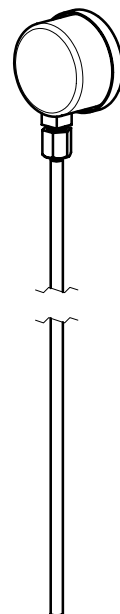


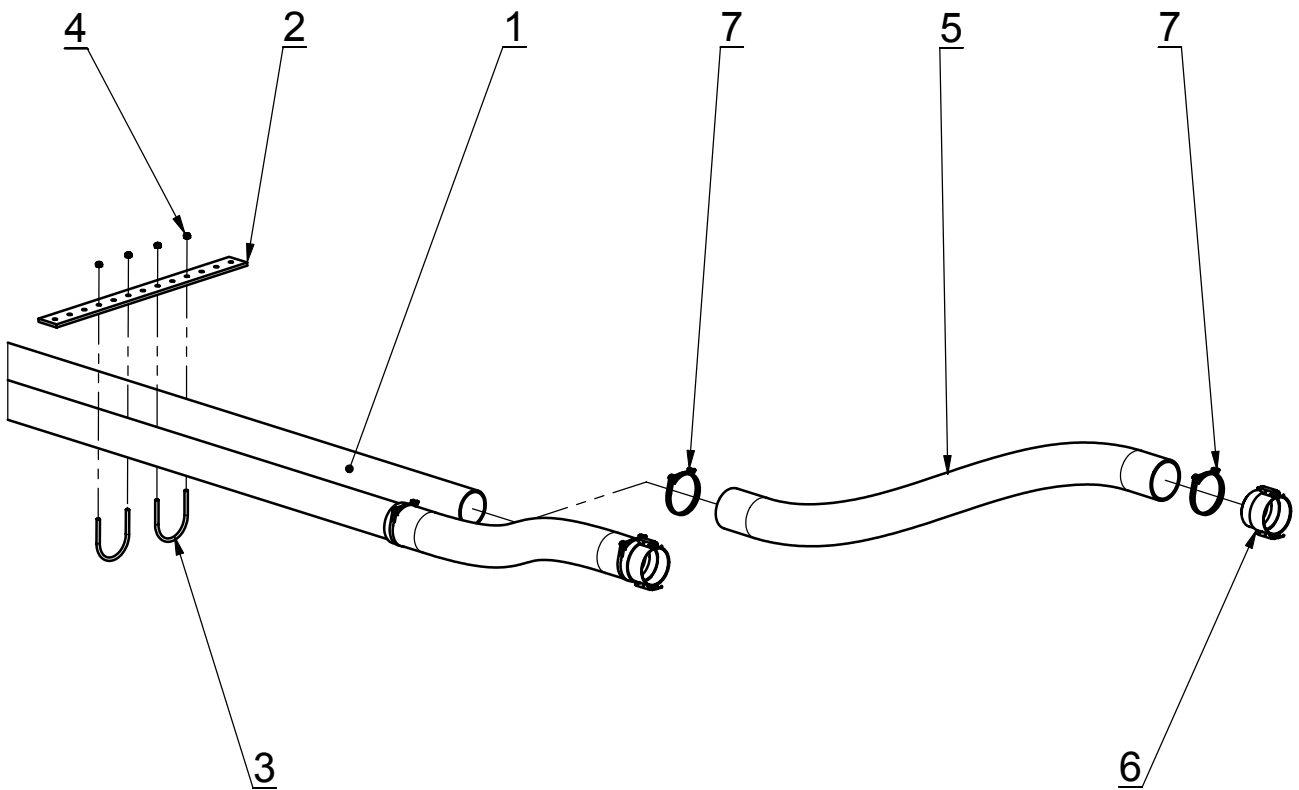
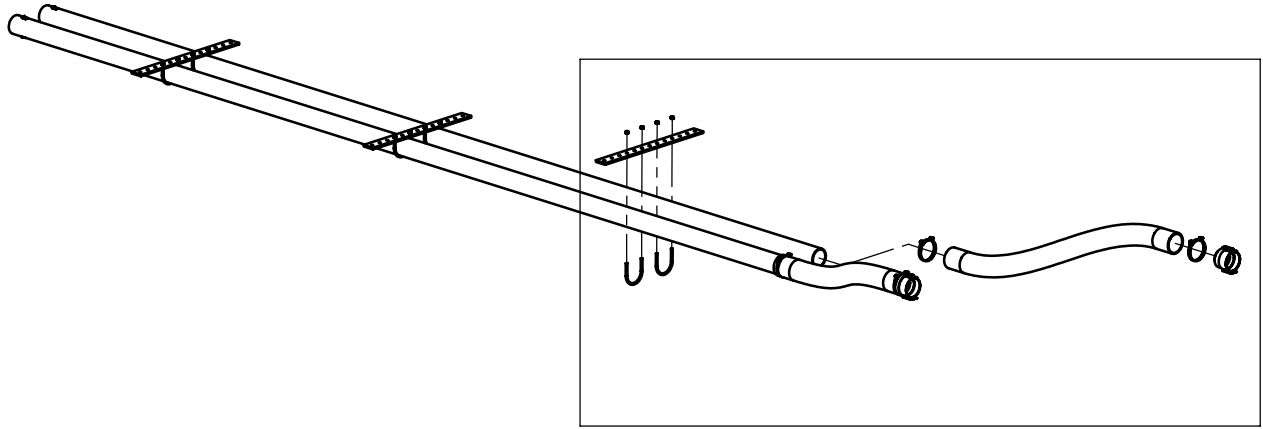


# Manometer kit for DSF1500

Reference : SEM04-32-003

					Weight : 0.19 Kg
Seep	Reference	Description	Qty.	Weight	Comments
1	MANO-0-100MB	Pressure gauge Ø68 - 0/100 mbar	1	0.14	
2	2569	Connection 1/4" gas	1	0.03	
3	TU-5	Silicon hose Ø5-8 lg 1.1m	1	0.18	

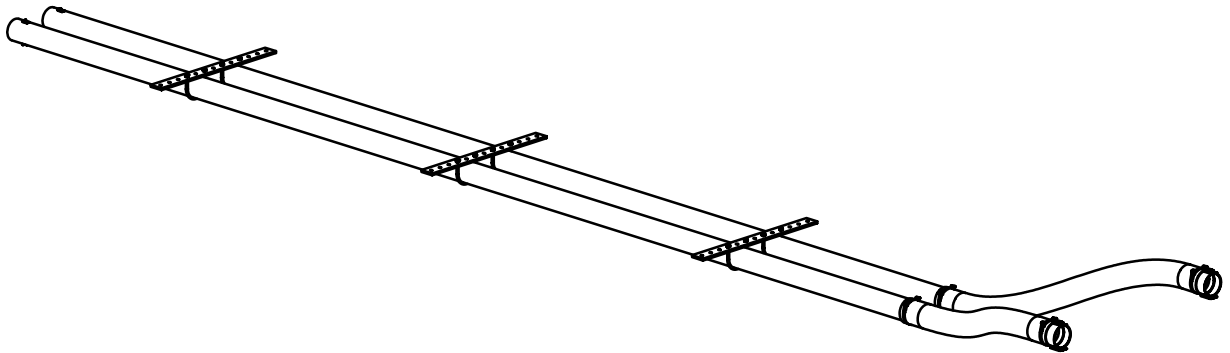


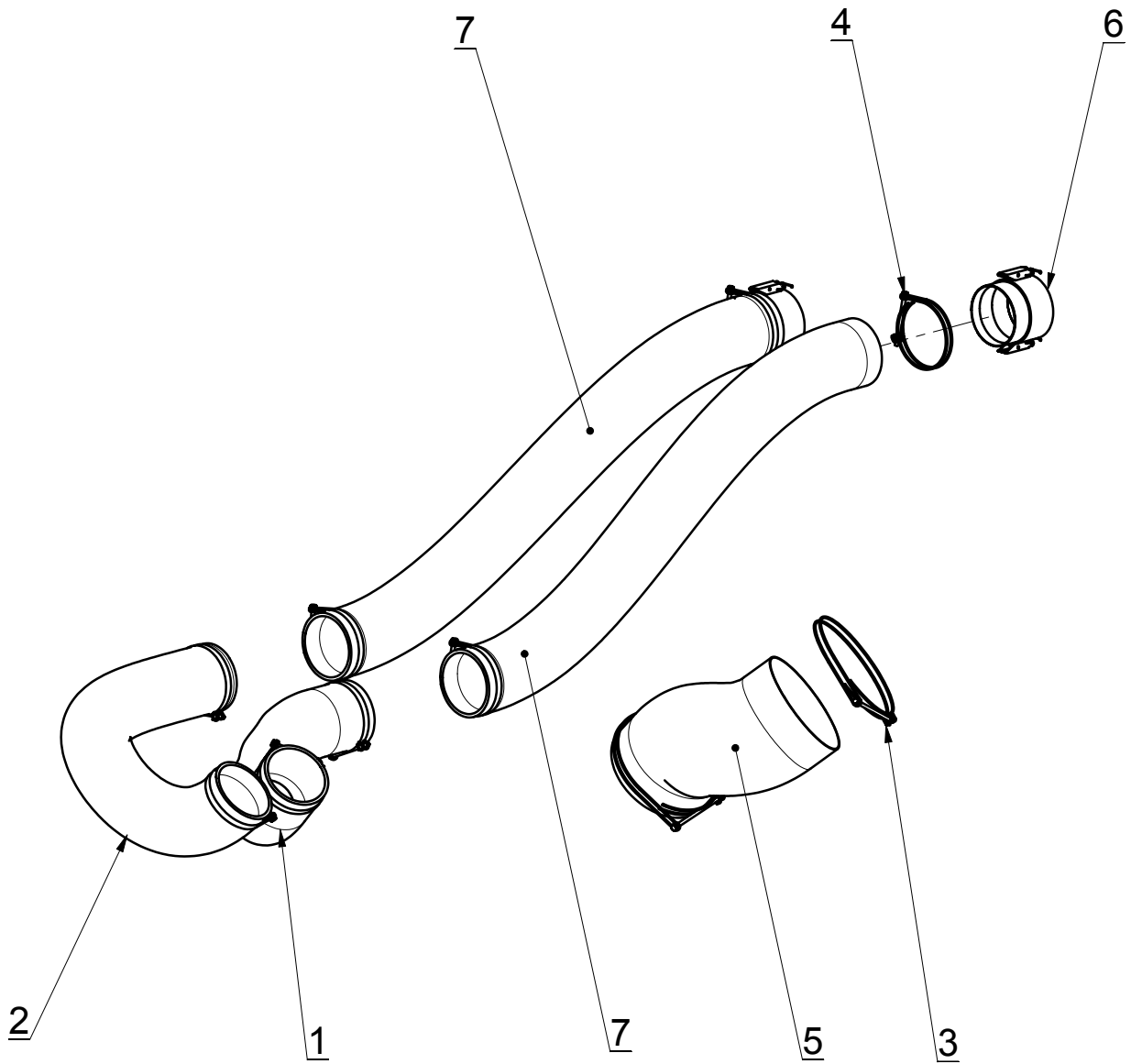


# Front hopper extension kit

Reference: SEM04-32-002

					Weight : 51.46 Kg
Seep	Reference	Description	Qty.	Weight	Comments
1	SEM01-32-501	Assembled PVC pipe	2	6.62	
2	SEM01-32-611	Fixing plate	3	2.39	
3	ETR-520	Stirrup cyl Ø8x90	6	0.11	
4	EN8	Nylstop Nut M8 - 8 - white zinc-coated	12	0.01	
5	TUS-90	Spiral hose Ø90 lg 2m	2	14.56	
6	DOM8-19-528	Female coupler head Ø90	2	0.51	
7	CDF-88-96	Double-threaded clamp Ø90	4	0,04	



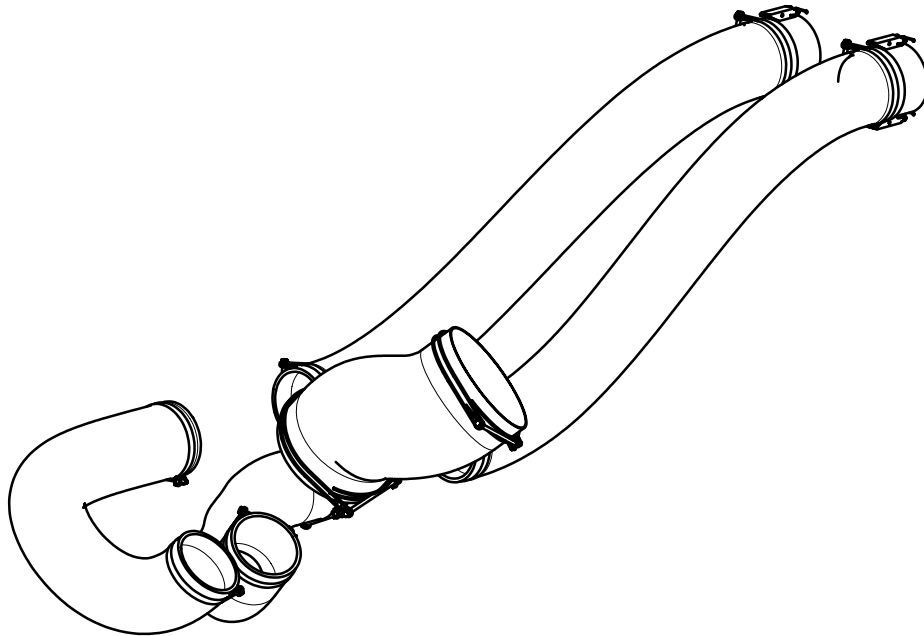


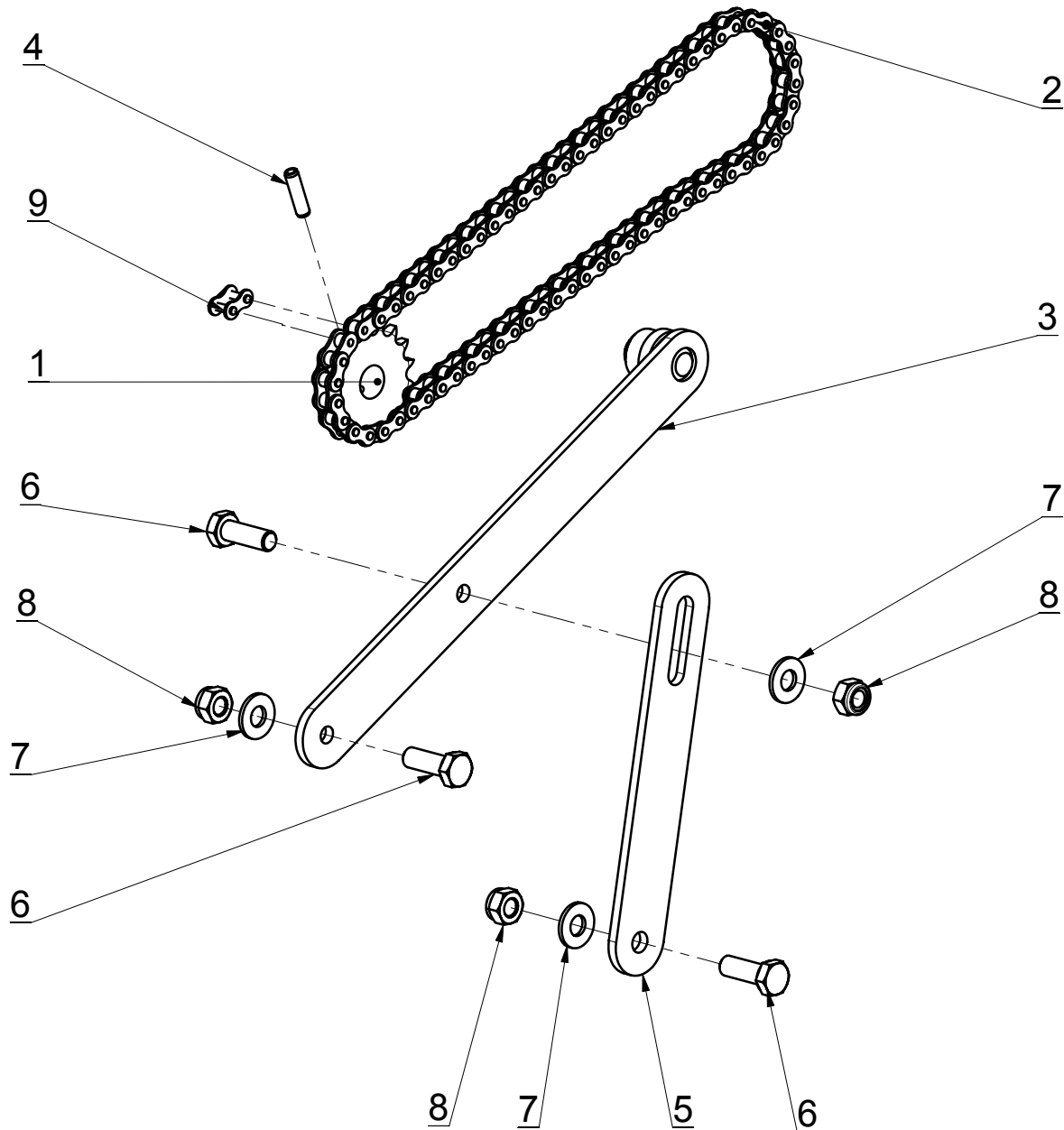


# Hose kit for front hopper

Reference : SEM04-32-001

					Weight : 8.38 Kg
Seep	Reference	Description	Qty.	Weight	Comments
1	TUS-90	Spiral hose Ø90 lg:0.450 m	1	0.70	
2	TUS-90	Spiral hose Ø90 lg:0.750 m	1	1.24	
3	CDF-160	Double-threaded clamp Ø160	2	0.07	
4	CDF-90	Double-threaded clamp Ø90	8	0.05	
5	TUS-160	Spiral hose Ø160 lg:0.400 m	1	1.78	
6	DOM8-19-528	Female coupler head Ø90	2	0.51	
7	TUS-90	Spiral hose Ø90 lg:2.20 m	2	1.56	

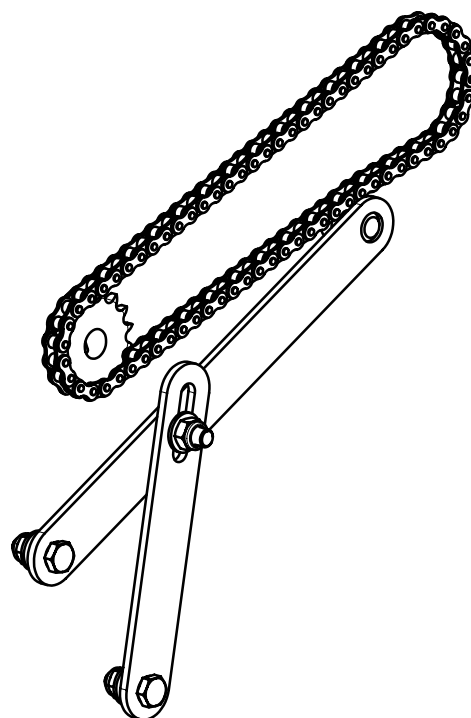


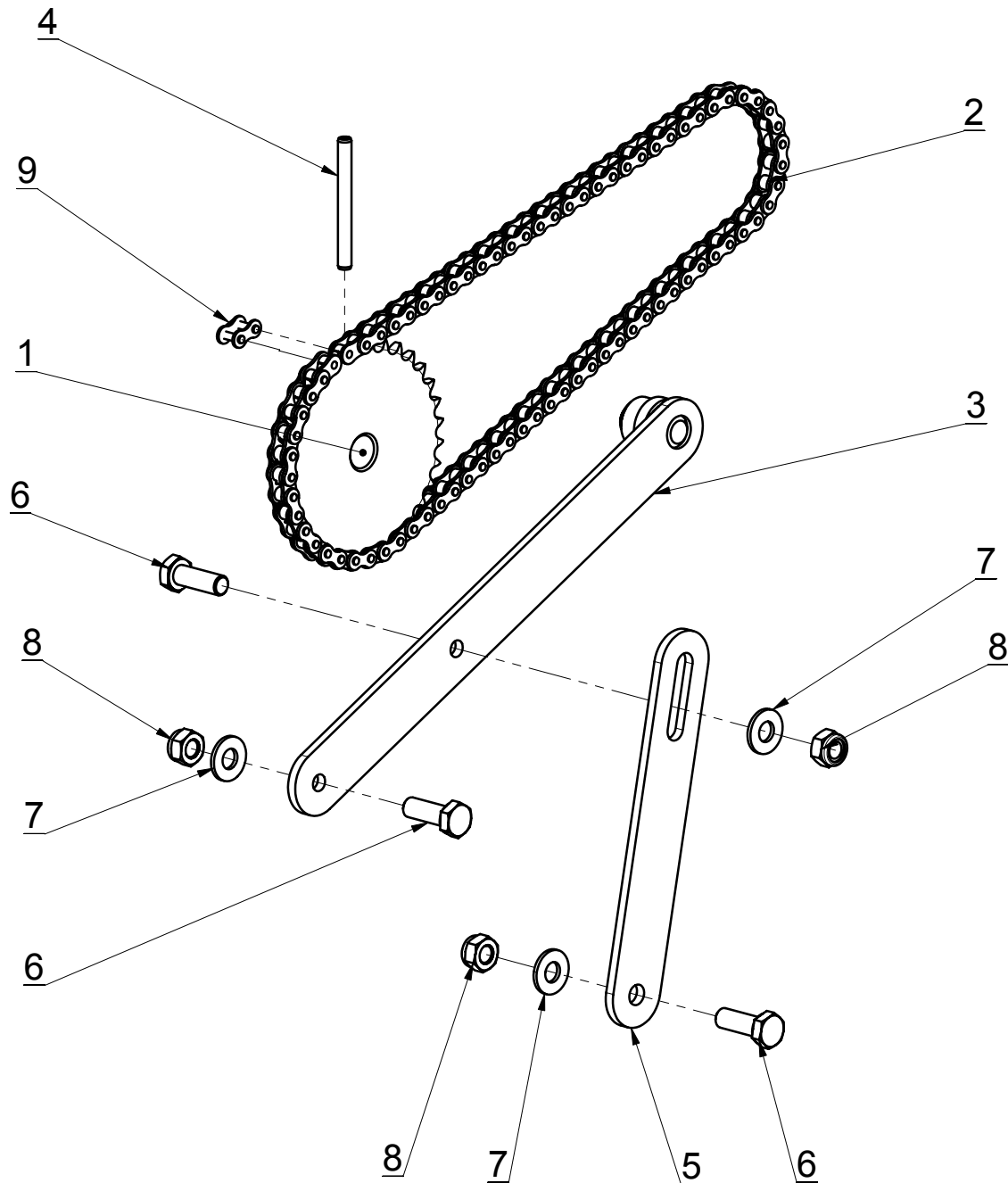


# Distribution drive kit DSF1500-16

Reference : SEM04-21-001

					Weight : 2.36 Kg
Seep	Reference	Description	Qty.	Weight	Comments
1	PIGN12,7-16-3	Pinion 08B1-16 dents-12,7-Ø20	1	0.22	
2	SEM04-22-601	Chain - DIN 8187- Thread 12,7 - 69 links	1	0.70	
3	SEM04-13-002	Tension- pulley arm kit	1	0.79	
4	GE08-30	Elastic pin Ø8x30	1	0.01	
5	SEM04-21-602	Tension lug	1	0.40	
6	VH12-035-FT	Screw H - M12 x 35 - 8.8 - bichromated yellow	3	0.049	
7	R12M	Average washer Ø12 - yellow electro zinc	3	0.01	
8	EN12	Nylstop Nut M12 - 8 - bichromated yellow	3	0.020	
9	CRS-08B1-AR	Fast,simple clip 12,7	1	0.01	

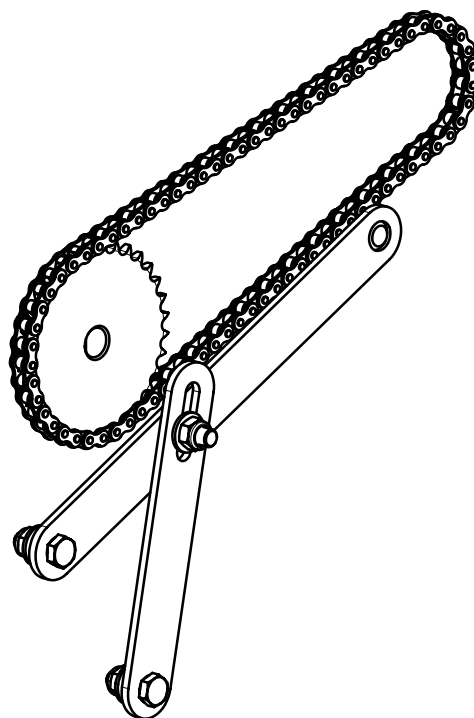


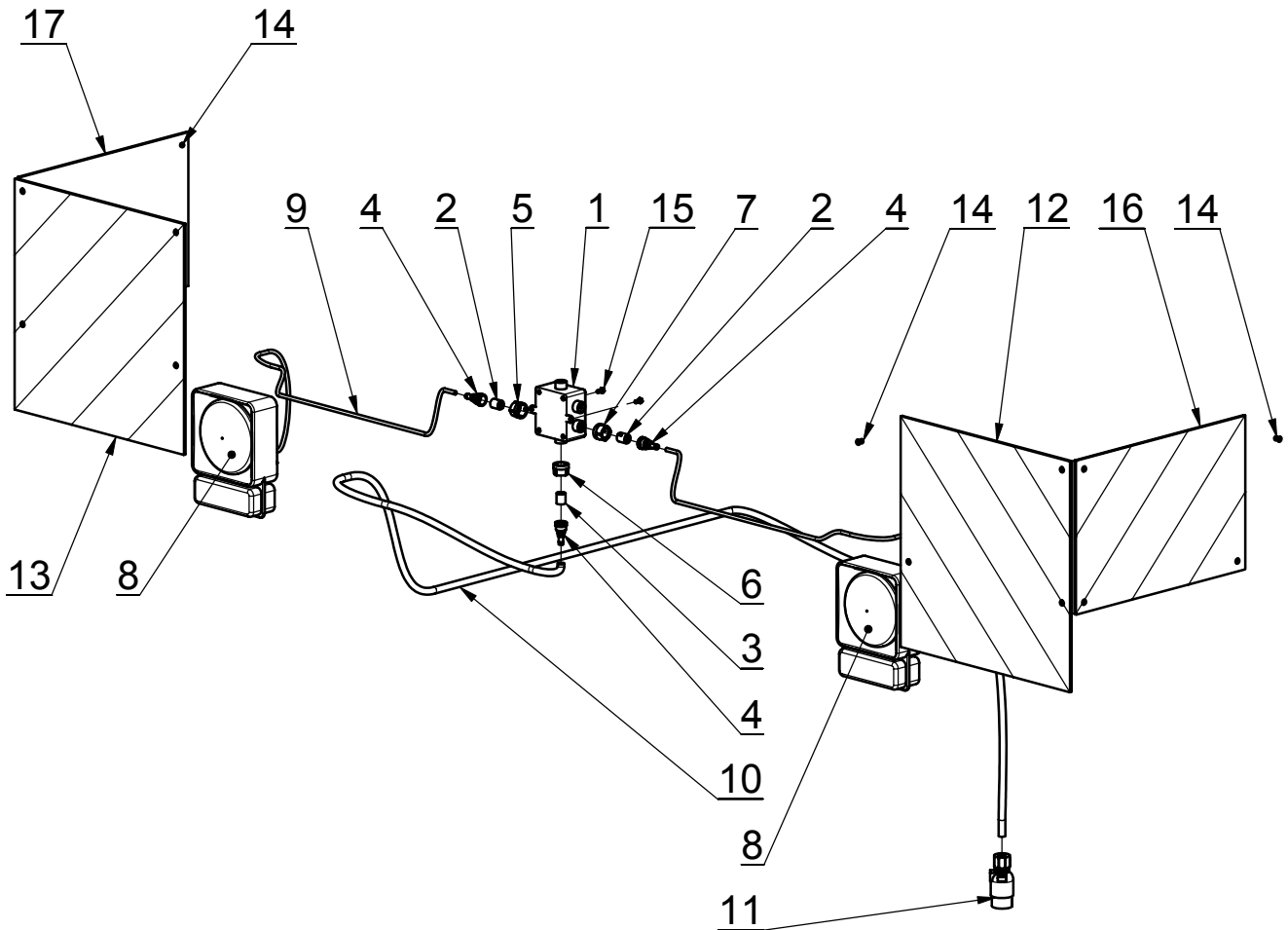


# Distribution drive kit DSF-24

Reference : SEM04-21-002

					Weight : 0.00 Kg
Seep	Reference	Description	Qty.	Weight	Comments
1	PIGN12,7-32-1	Pinion 08B1-32 teeth- 12,7- Ø20	1	0.222	
2	SEM04-22-602	Chain - DIN 8187- Thread 12,7 - 79 links	1	0.78	
3	SEM04-13-002	Tension- pulley arm kit	1	0.79	
4	GE08-80	Elastic pin Ø8x80	1	0.02	
5	SEM04-21-602	Tension lug	1	0.40	
6	VH12-035-FT	Screw H - M12 x 35 - 8.8 - bichromated yellow	3	0.049	
7	R12M	Average washer Ø12 - yellow electro zinc	3	0.01	
8	EN12	Nylstop Nut M12 - 8 - bichromated yellow	3	0.020	
9	CRS-08B1-AR	Fast,simple clip 12,7	1	0.01	

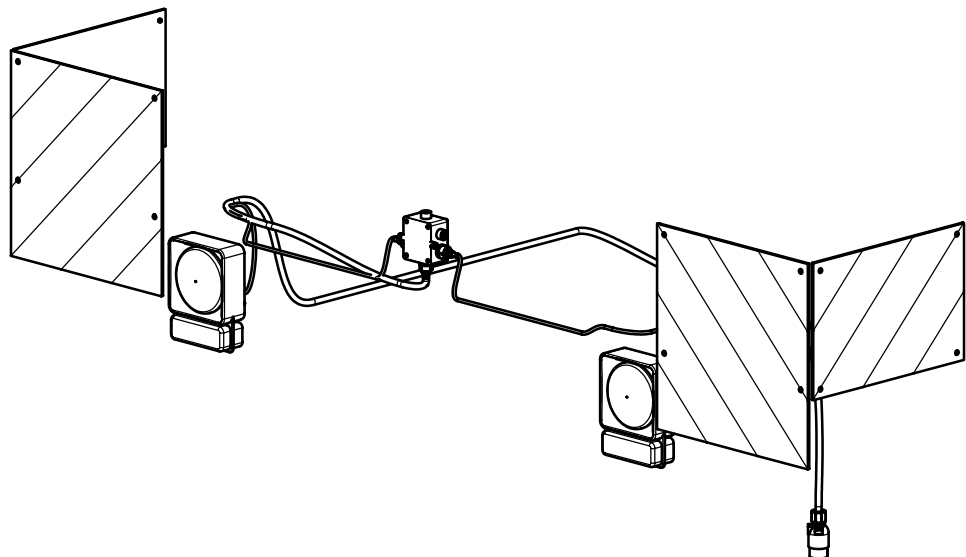


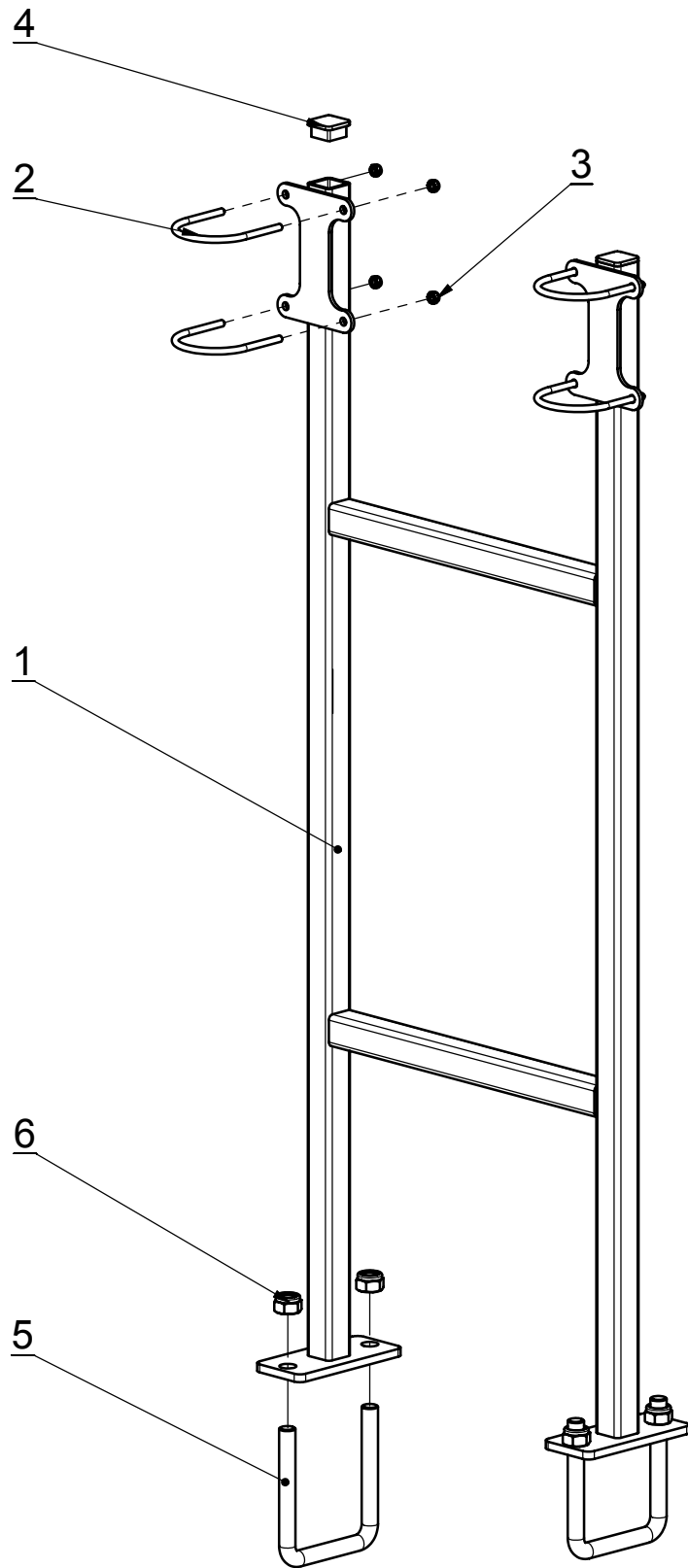


# Signalling kit for DSF1500

Reference : SEM04-11-002

					Weight : 9.52 Kg
Seep	Reference	Description	Qty.	Weight	Comments
1	300665	Junction box – 6 paths	1	0.40	
2	300508	Female connector 5 paths	2	0.00	
3	300497	Female connector 7 paths	1	0.00	
4	300507	Female seal cap	3	0.00	
5	300504	Blocking green ring	1	0.00	
6	300498	Blocking red ring	1	0.00	
7	300505	Blocking yellow ring	1	0.00	
8	S-56299	Front light with winker	2	2.64	
9	4G1	Electrical plastic cable – 4 wires x 1mm <sup>2</sup> - 0,80m	2	0.03	
10	6G2	Electrical plastic cable 6 wires x 2mm <sup>2</sup> - 3,30m	1	0.37	
11	300970	Male plastic electric plug connection	1	0.64	
12	76RE60-D	Retro- reflecting band class 1 – 423x282 - right	1	0.82	
13	76RE60-G	Retro- reflecting band class1 – 423x282 - left	1	0.82	
14	RA4.8-14	Rivet blind Ø4,8 - 14	16	0.00	
15	VH5-010-FT	Screw H - M5 x 10 - 8.8 - white zinc-coated	2	0.003	
16	76RE61-D	Reflective pannel 423 x 282 - right	1	0.54	
17	76RE61-G	Reflective pannel 423 x 282 - left	1	0.54	



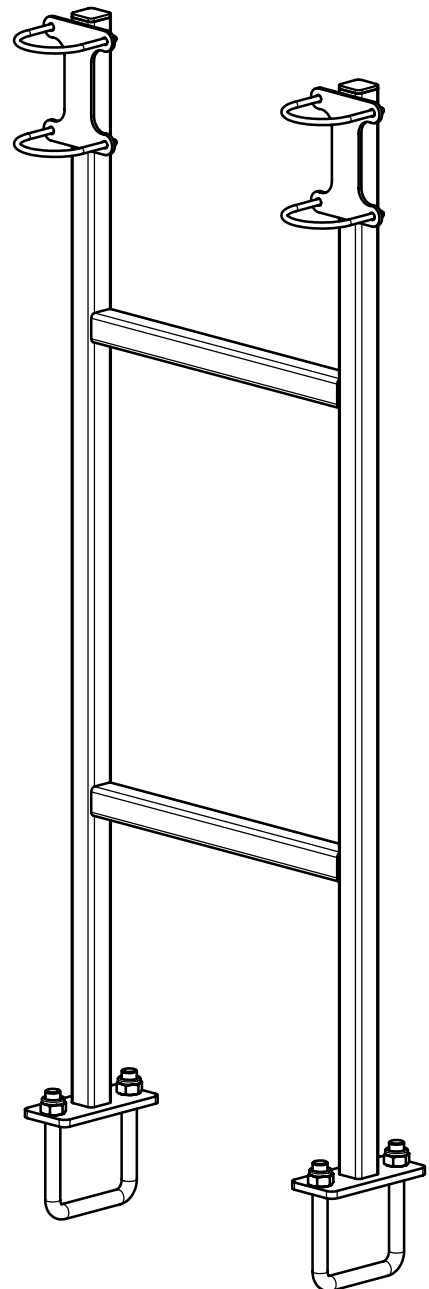




# Double distribution head support kit 1m50

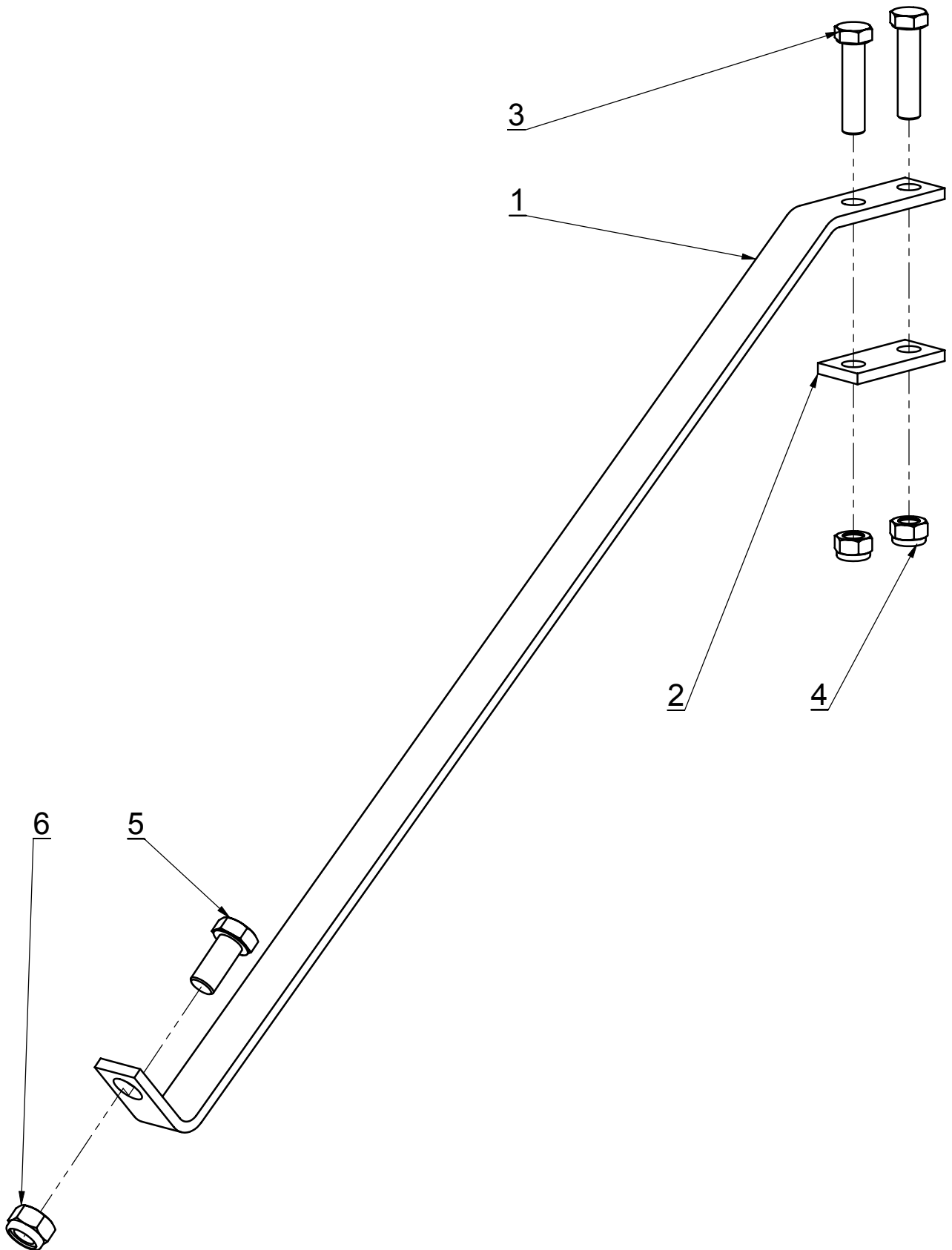
Reference: DOM8-19-022

					Weight : 23.07 Kg
Seep	Reference	Description	Qty.	Weight	Comments
1	DOM8-19-519	Double distribution head support 1m50	1	19.94	
2	ETR-520	Stirrup cyl Ø8x90	4	0.11	
3	EN8	Nylstop Nut M8 - 8 - white zinc-coated	8	0.01	
4	CT40404	Tube-mask 40x40x4	2	0.01	
5	ETR-504	Square stirrup Ø20-120	2	1.15	
6	EN20	Nylstop Nut M20 - 8 - white zinc-coated	4	0.076	



# Buckle guy kit

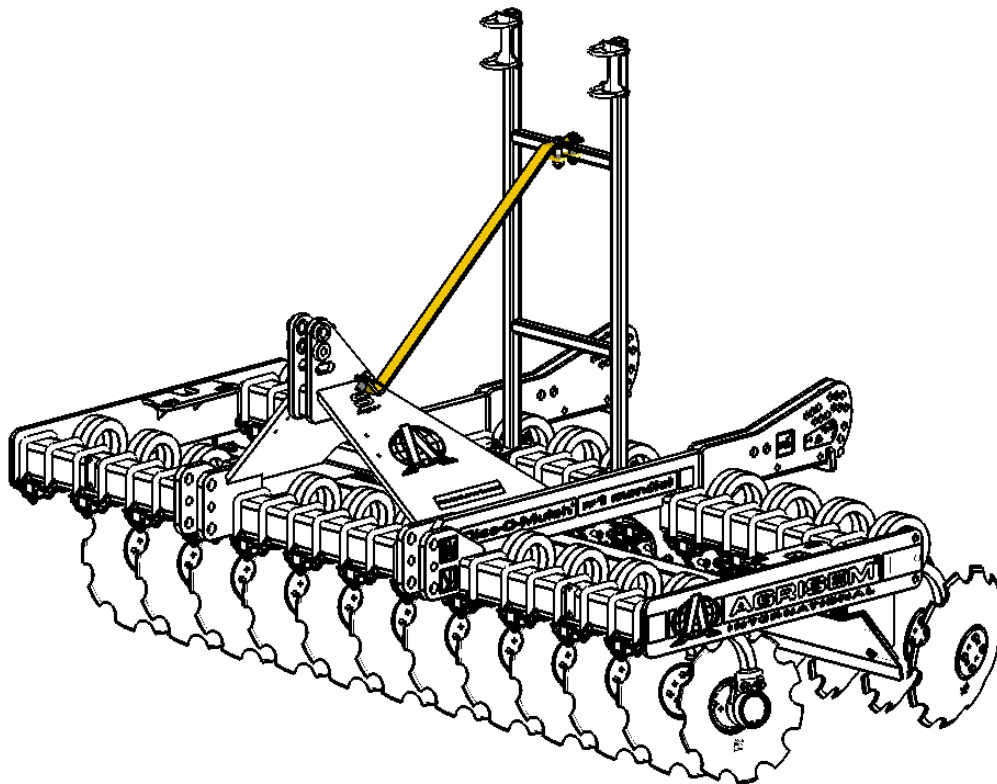
Reference : DOM8-19-031



# Buckle guy kit

Reference : DOM8-19-031

					Weight : 6.50 Kg
Seep	Reference	Description	Qty.	Weight	Comments
1	DOM8-19-648	Buckle guy of distribution head support	1	4.96	
2	DOM8-19-649	Compression plate	1	0.38	
3	VH20-085	Screw H - M20 x 85 - 8.8 - white zinc-coated	2	0.285	
4	EN20	Nylstop Nut M20 - 8 - white zinc-coated	2	0.076	
5	VH24-050-FT	Screw H - M24 x 50 - 8.8 - white zinc-coated	1	0.308	
6	EN24	Nylstop Nut M24 - 8 - white zinc-coated	1	0.13	



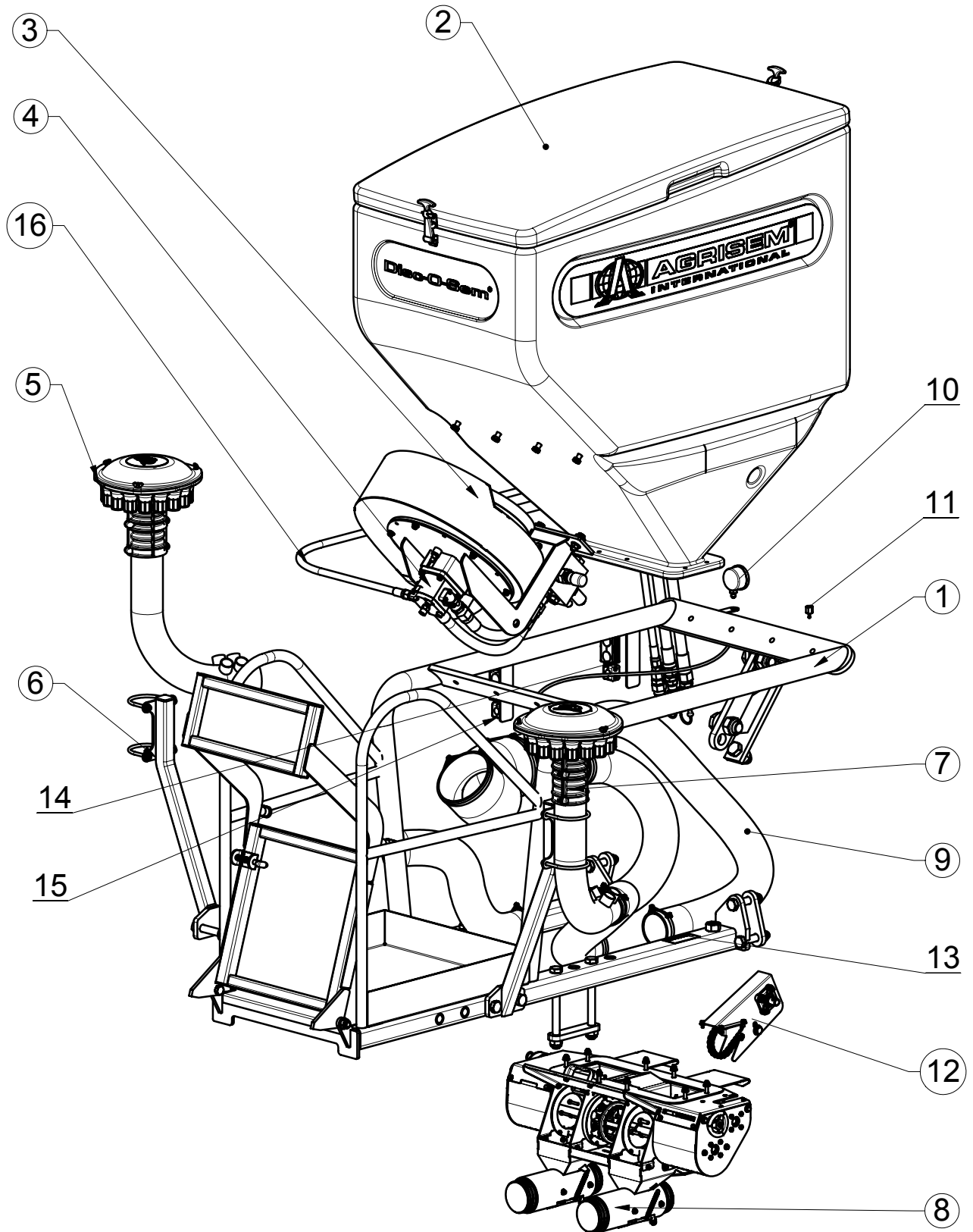


## *SEED-DRILL SPARE PARTS*

---



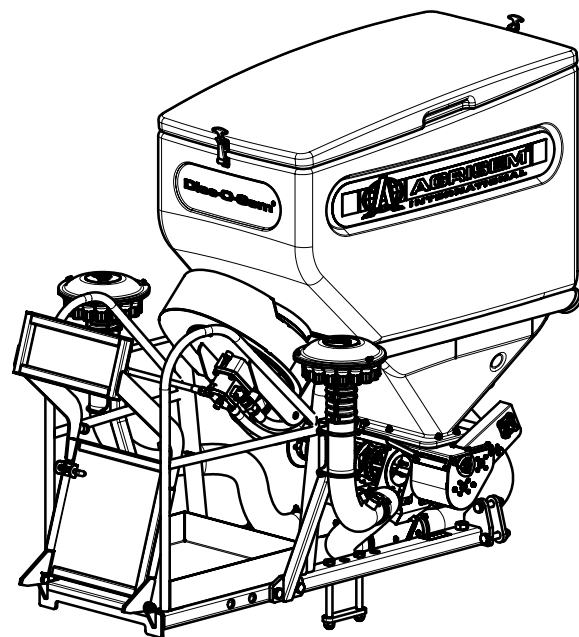
DISC-O-SEM 3m

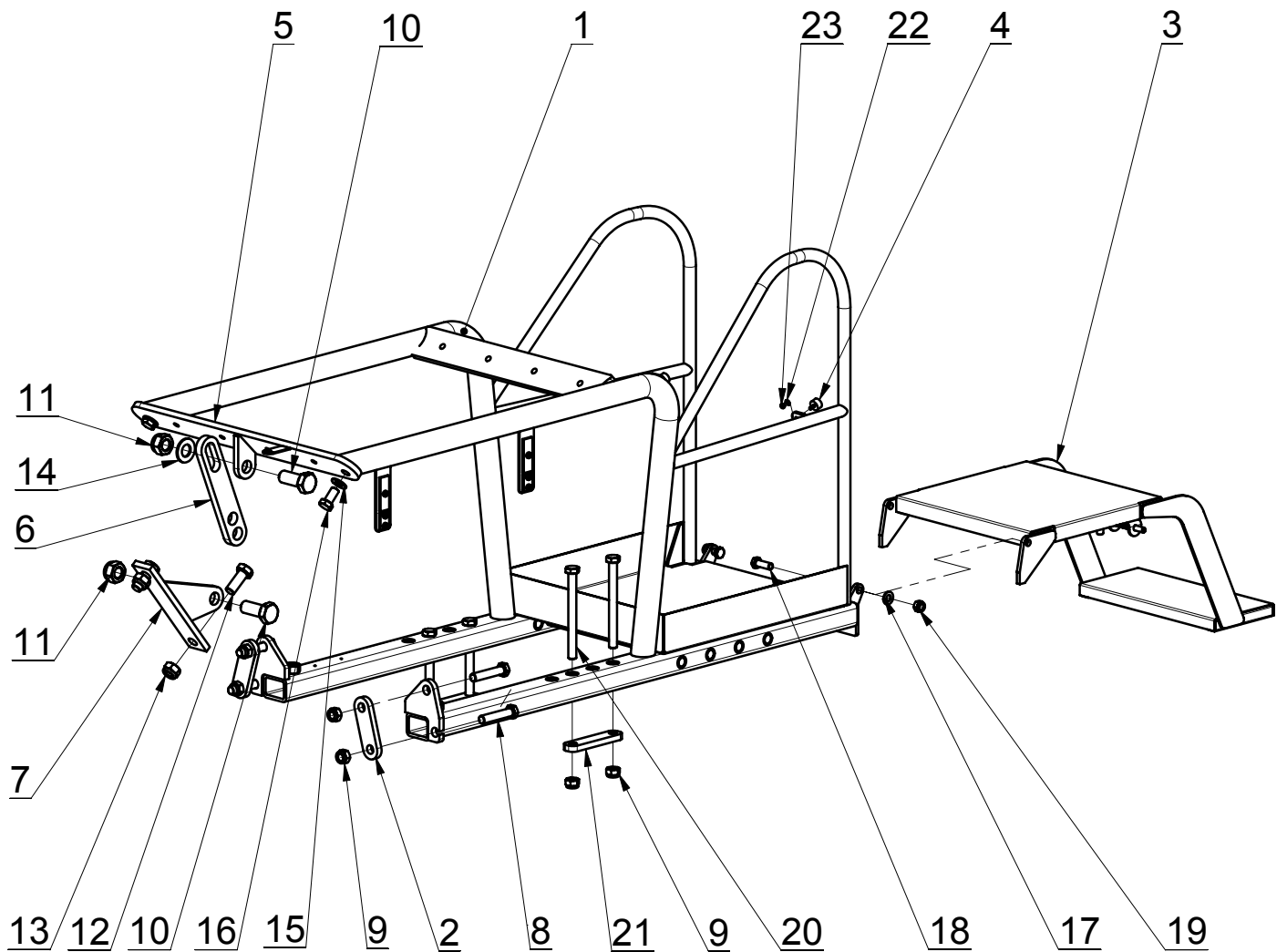


# DS750 seed drill kit for DOM-S

Reference: DS750-000S

					Weight : 341.09 Kg
Seep	Reference	Description	Qty.	Weight	Comments
1	SEM03-01-001	Framework kit seed-drill DOM	1	149.19	
2	SEM01-28-001	Seed-drill hopper kit without extension	1	58.90	
3	SEM01-29-005	Turbine kit without driving system	1	28.90	
4	SEM01-31-010	Turbine drive kit 14 cm <sup>3</sup>	1	18.96	
5	SEM01-30-050	Distribution kit Ø90 - 16 x Ø35	2	4.41	
6	SEM03-19-020	Distribution head support kit Ø90	2	5.59	
7	SEM01-29-022	Connection kit	1	2.64	
8	SEM01-26-010	Distribution - Ø90	1	37.96	
9	SEM03-32-003	Hose kit	1	13.35	
10	MANO-0-100MB	Pressure gauge Ø68 - 0/100 mbar	1	0.14	
11	2569	Connection 1/4" gas	1	0.03	
12	SEM02-21-010	Single distribution drive kit	1	2.96	
13	Plaque	Signalization plate	1	0.02	
14	CPD30C	Double-threaded clamp for hose Ø30	2	0.14	
15	CP19C	Single-threaded clamp for hose Ø19	2	0.07	
16	SEM01-20-005	Hydraulic kit for DS750 seed-drill	1	7.24	



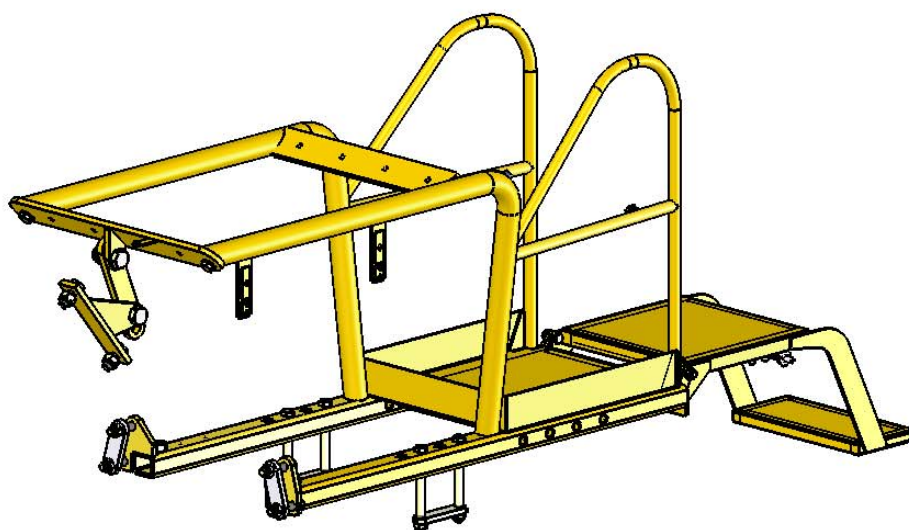


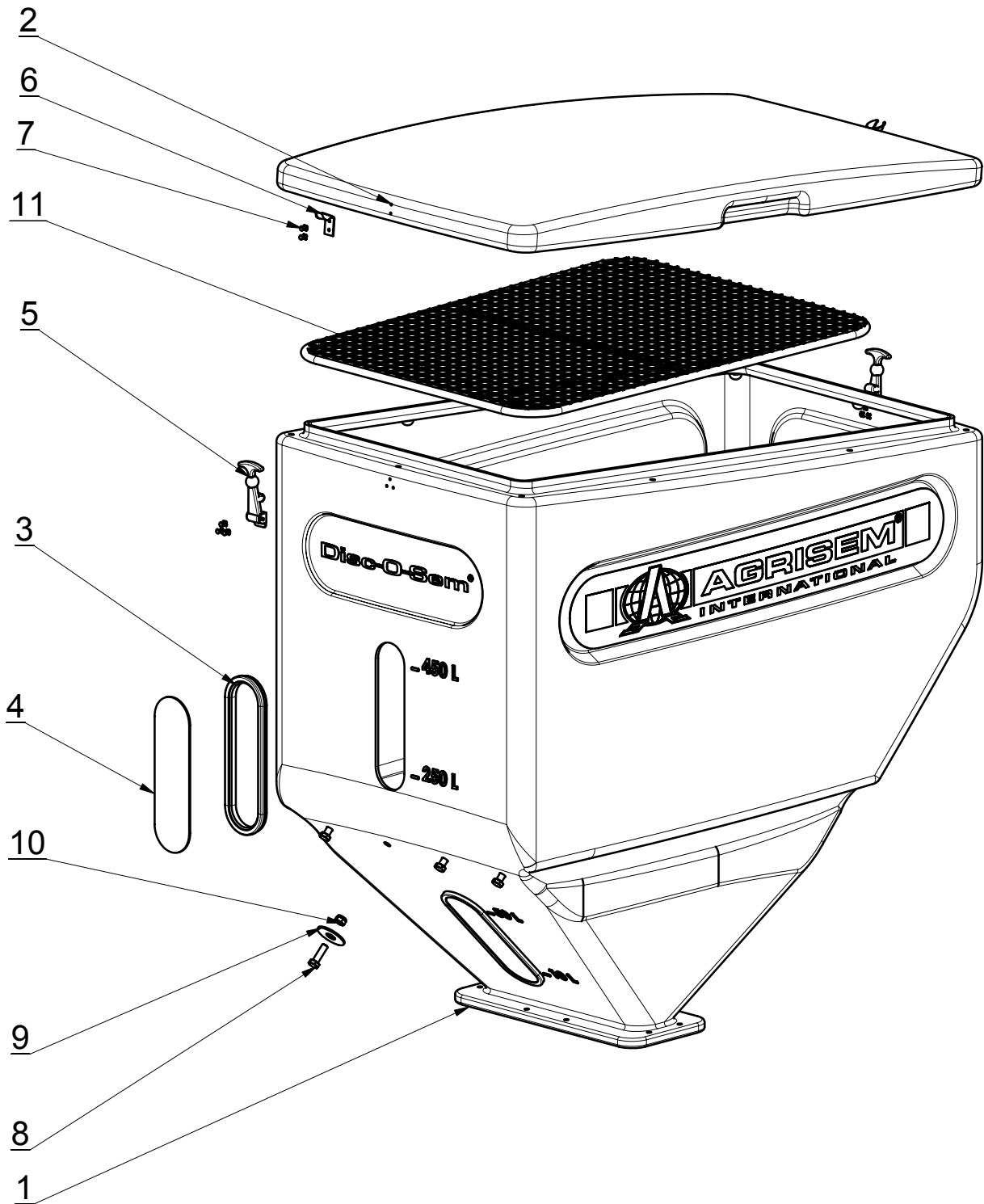


# Framework kit seed-drill DOM-S

Reference : SEM03-01-001

					Weight : 149.57 Kg
Seep	Reference	Description	Qty	Weight	Comments
1	SEM03-01-501	Framework	1	104.43	
2	SEM03-01-626	Metal-Plate 20-80	2	0.77	
3	SEM03-01-506	Short gangway	1	19.82	
4	AV25-15	Anti-vibration support Ø25 lg15	2	0.01	
5	SEM03-01-503	Fixation plate for hooper	1	8.35	
6	SEM03-01-627	Side-hitch	1	2.25	
7	SEM03-01-507	Fixing seed-drill	1	3.66	
8	VH20-100-FT	Screw H - M20 x 100 - 8.8 - bichromated yellow	4	0.322	
9	EN20	Nylstop Nut M20 - 8 - bichromated yellow	8	0.076	
10	VH30-075-FT	Screw H - M30 x 75 - 8.8 - bichromated yellow	2	0.679	
11	EN30	Nylstop Nut M30 - 8 - bichromated yellow	2	0.274	
12	VH24-060-FT	Screw H - M24 x 60 - 8.8 - bichromated yellow	2	0.344	
13	EN24	Nylstop Nut M24 - 8 - bichromated yellow	2	0.132	
14	R30M	Average washer Ø30 - yellow electro zinc	1	0.07	
15	R20M	Average washer Ø20 - yellow electro zinc	2	0.02	
16	VH20-040-FT	Screw H - M20 x 40 - 8.8 - bichromated yellow	2	0.174	
17	R16M	Average washer Ø16 - yellow electro zinc	2	0.01	
18	VH16-045-FT	Screw H - M16 x 45 - 8.8 - bichromated yellow	2	0.110	
19	EN16	Nylstop Nut M16 - 8 - bichromated yellow	2	0.039	
20	VH20-220	Screw H - M20 x 220 - 8.8 - bichromated yellow	4	0.619	
21	CB20-120	Metal-Plate 20-120	2	0.74	
22	R6M	Average washer Ø6 - yellow electro zinc	2	0.00	
23	EN6	Nylstop Nut M6 - 8 - bichromated yellow	2	0.003	



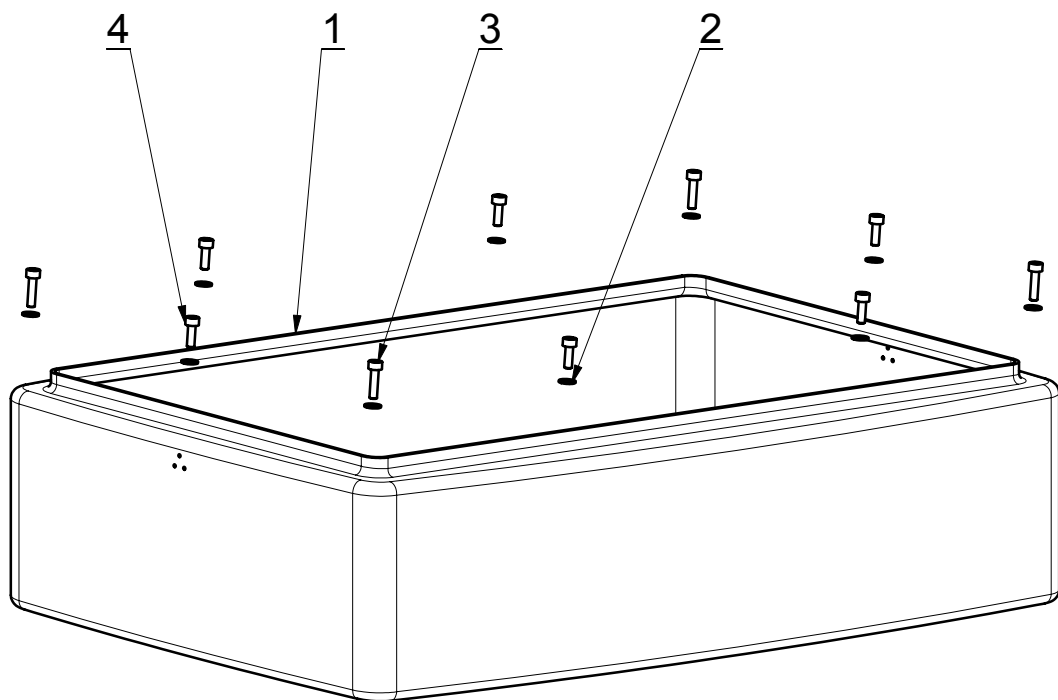


# Seed-drill hopper kit without extension

Reference : SEM01-28-001

					Weight : 53.44 Kg
Seep	Reference	Description	Qty.	Weight	Comments
1	SEM01-28-601	750 litre hopper	1	30.27	
2	SEM01-28-603	Lid	1	12.75	
3	JPB-6.5	Windscreen joint Lg 740	2	0.09	
4	SEM01-28-605	Window	2	0.08	
5	S8385	Sparex Clip	2	0.07	
6	S8387	Main part handle placement support system	2	0.02	
7	RAE4-16	Flat-head rivet Ø4-16	10	0.00	
8	VH12-040	Screw H - M12 x 40 - 8.8 - bichromated yellow	8	0.054	
9	R20LL	Extra large washer Ø20- electro zinc	8	0.06	
10	EN12	Nylstop Nut M12 - 8 - bichromated yellow	8	0.020	
11	SEM01-28-505	Hopper bottom grill	1	9.10	
12	ETIQ-651	Yellow sticker for AGRISEM seed-drill	2	0.05	
13	ETIQ-656	AGRISEM stickers - 800 - Black contour	2	0.01	
14	ETIQ-652	Sticker for Disc-O-Sem	2	0.00	

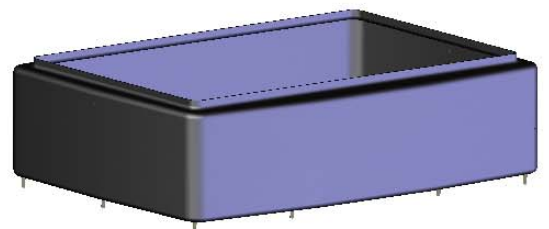


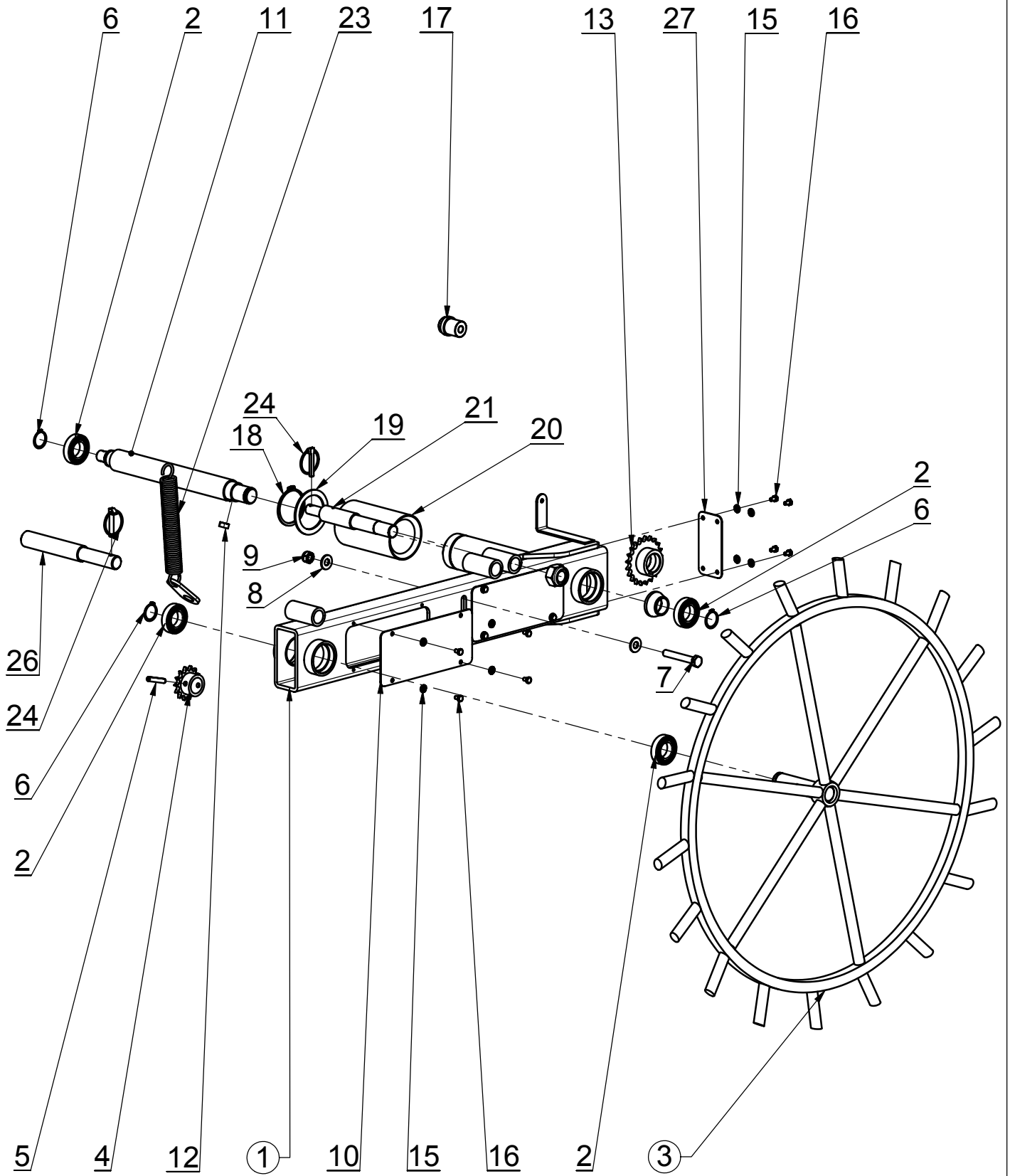


# Side extension kit

Reference : DS750-010

					Weight : 10.35 Kg
Seep	Reference	Description	Qty.	Weight	Comments
1	SEM01-28-602	Side-extension	1	9.94	
2	R10M	Average washer Ø10 - yellow electro zinc	10	0.00	
3	VCHC10-040-FT	Screw CHc - M10 x 40 - 8.8 - bichromated yellow	4	0.04	
4	VCHC10-030-FT	Screw CHc - M10 x 30 - 8.8 - bichromated yellow	6	0.03	

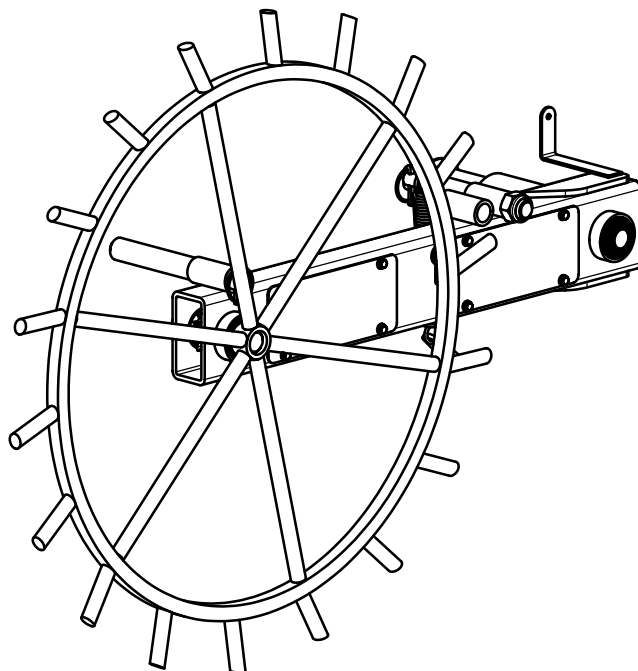


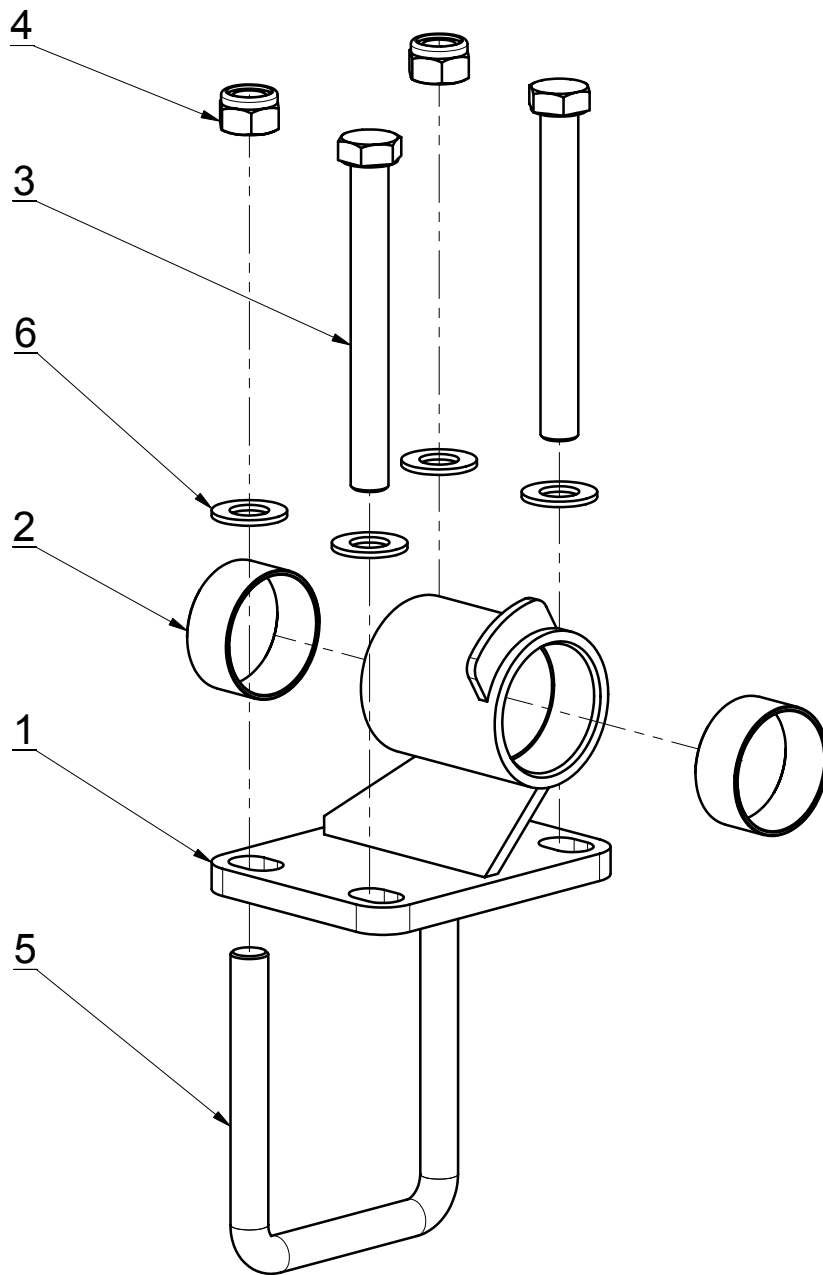


# Sun wheel arms kit

Reference : SEM02-13-005

					Weight : 44.88 Kg
Seep	Reference	Description	Qty.	Weight	Comments
1	SEM04-13-505	Sun wheel arms	1	17.38	
2	ROUL-515	Roll-on bearing Ø30x55x13 with joints	4	0.12	
3	SEM02-13-525	"Sun" wheel	1	16.37	
4	PIGN12,7-14-2	Pinion 08B1-14 teeth- 12,7- Ø30	1	0.181	
5	GE08-45	Elastic pin Ø8x45	1	0.01	
6	CE29-1,5	External circlip 29x1,5	3	0.003	
7	VH12-080	Screw H - M12 x 80 - 8.8 - white zinc-coated	1	0.089	
8	R12M	Average washer Ø12 - yellow electro zinc	2	0.01	
9	EN12	Nylstop Nut M12 - 8 - white zinc-coated	1	0.020	
10	SEM04-13-619	Covering iron sheet	2	0.39	
11	SEM02-13-603	Outer shaft for sun wheel	1	3.45	
12	CPA100820	Cotter pin 10x8x20	1	0.01	
13	PIGN12,7-21-11	Pignon-08B1-21 dents-12,7-Ø35	1	0.36	
14	SEM02-13-684	Cross piece	1	0.10	
15	RDC6	Washer Ø6 - yellow electro zinc	12	0.001	
16	VH6-010-FT	Screw H - M6 x 10 - 8.8 - white zinc-coated	12	0.005	
17	SEM04-13-614	Chain tension pulley	1	0.03	
18	CE65-2,5	External circlip 65x2,5	1	0.016	
19	SEM04-13-615	Washer Ø85 - Ø65 - 3	1	0.06	
20	SEM04-13-621	Cross piece Ø85-Ø65-144	1	2.61	
21	SEM02-13-606	Lag stop axle	1	0.89	
22	EN24	Nylstop Nut M24 - 8 - white zinc-coated	1	0.13	
23	GRG2000000	Traction spring Ø4 - Ø30 - 210	1	0.38	
24	GC-8	Bolt clip Ø8	2	0.03	
25	SEM02-13-607	Spring attachment	1	0.11	
26	SEM10-28-676	Lag stop axle	1	1.17	
27	SEM04-13-617	Covering screen	1	0.11	



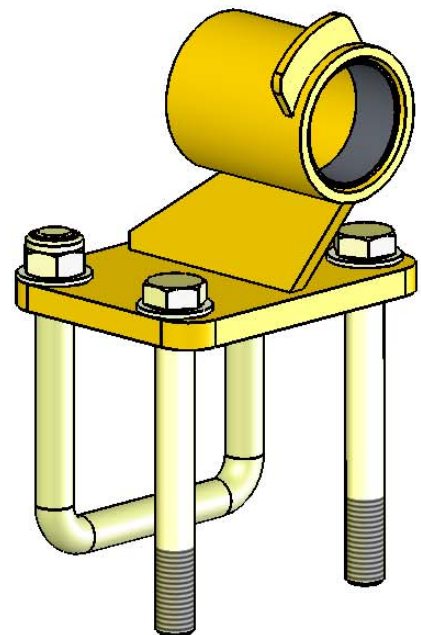


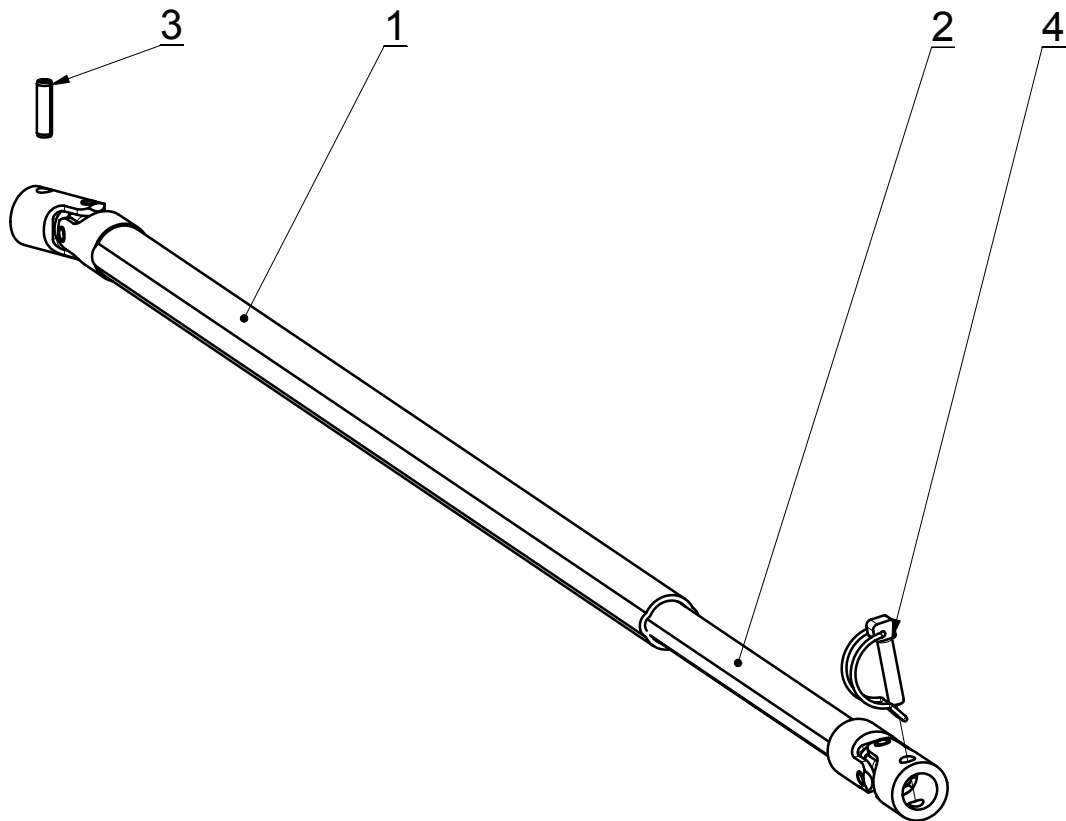


# Sun wheel support kit (beam 120)

Reference : SEM02-13-003

					Weight : 7.21 Kg
Seep	Reference	Description	Qty.	Weight	Comments
1	SEM02-13-505	Support for beam of 120	1	4.75	
2	BF-521	Friction ring Ø65 x 30	2	0.09	
3	VH20-180	Screw H - M20 x 180 - 8.8 - bichromated yellow	2	0.520	
4	EN20	Nylstop Nut M20 - 8 - bichromated yellow	2	0.076	
5	ETR-504	Square stirrup Ø20-120	1	1.15	
6	R20M	Average washer Ø20 - yellow electro zinc	4	0.02	



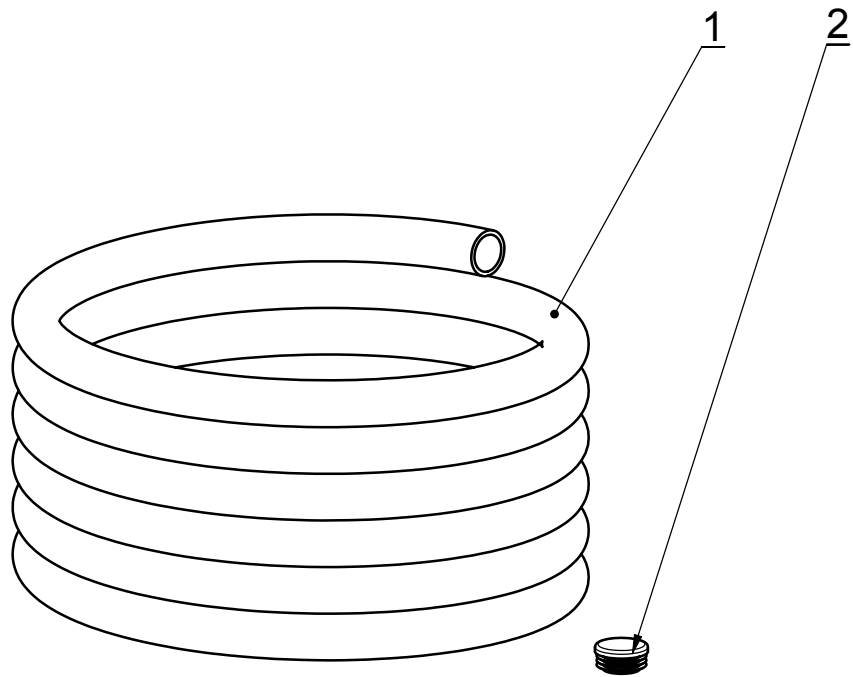


# Cardan kit

Reference : CAR20-002

					Weight : 3.19 Kg
Seep	Reference	Description	Qty.	Weight	Comments
1	CAR20-501	Female gimbal joint tip	1	1.81	
2	CAR20-502	Male gimbal joint tip	1	1.35	
3	GE08-30	Elastic pin Ø8x30	1	0.01	
4	GM8x38	Mechanisation linch-pin Ø8x30	1	0.03	

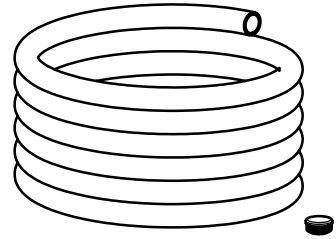




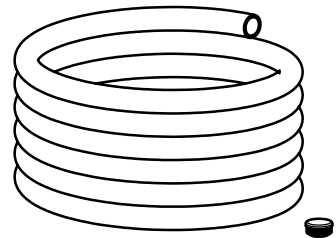
# Spiral hose kit for DS750 seed-drill

2,5m version / 3m DOM8-13-017 / 4m DOM8-13-018

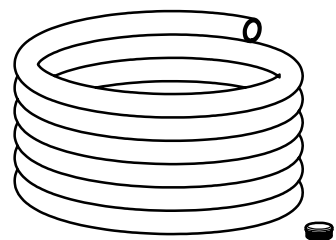
Version 2,5m - DOM8-13-016					Weight : 10.28 Kg
Seep	Reference	Description	Qty.	Weight	Comments
1	TUS-35	Spiral hose Øint. 35 - Øext. 41	38	0.27	
2	CT35-2	Tube-mask Ø35x1,5	4	0.006	

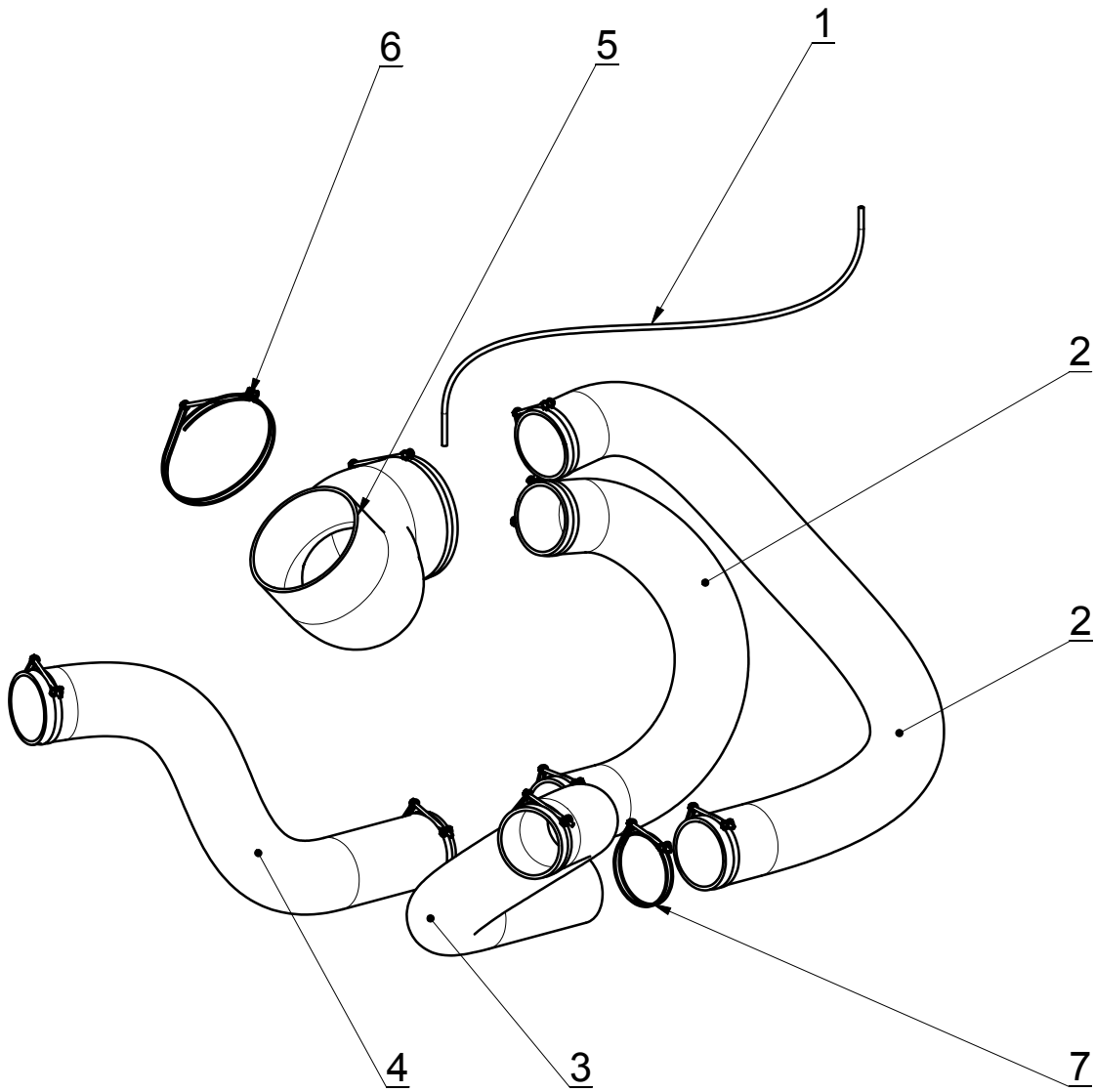


Version 3,0m - DOM8-13-017					Weight : 12.16 Kg
Seep	Reference	Description	Qty.	Weight	Comments
1	TUS-35	Spiral hose Øint. 35 - Øext. 41	45	0.27	
2	CT35-2	Tube-mask Ø35x1,5	1	0.006	



Version 4,0m - DOM8-13-018					Weight : 15.71 Kg
Seep	Reference	Description	Qty.	Weight	Comments
1	TUS-35	Spiral hose Øint. 35 - Øext. 41	58	0.27	
2	CT35-2	Tube-mask Ø35x1,5	8	0.006	

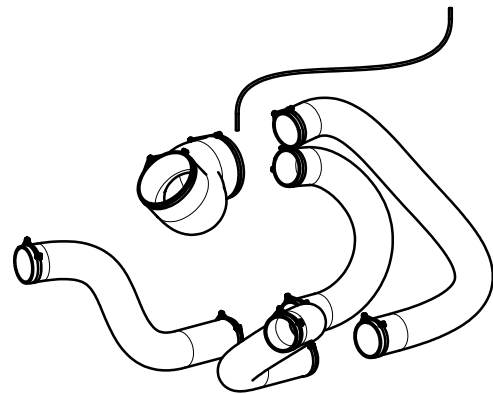


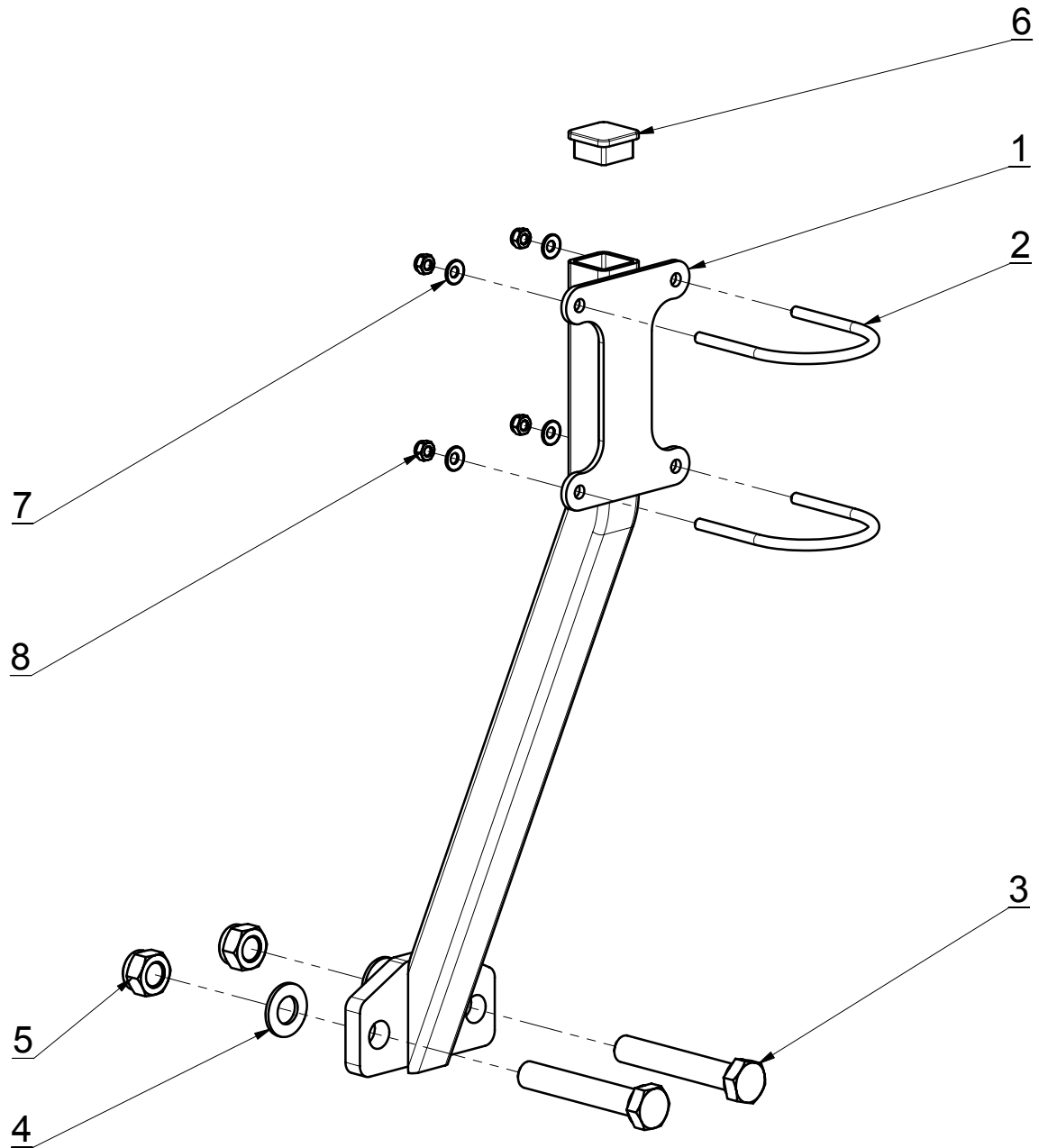


# Hose kit

Reference: SEM03-32-003

					Weight: 4.66 Kg
Seep	Reference	Description	Qty.	Weight	Comments
1	TU-5	Silicon hose Ø5-8 lg 0.8m	1	0.13	
2	TUS-90	Spiral hose Ø90 lg 1,1m	2	0.83	
3	SEM03-32-611	Spiral hose Ø90 lg 0.8m	1	0.60	
4	SEM03-32-611	Spiral hose Ø90 lg 0.8m	1	0.60	
5	TUS-160	Spiral hose Ø160 lg 0.5m	1	1.05	
6	CDF-160	Double-threaded clamp Ø160	2	0.07	
7	CDF-90	Double-threaded clamp Ø90	8	0.05	



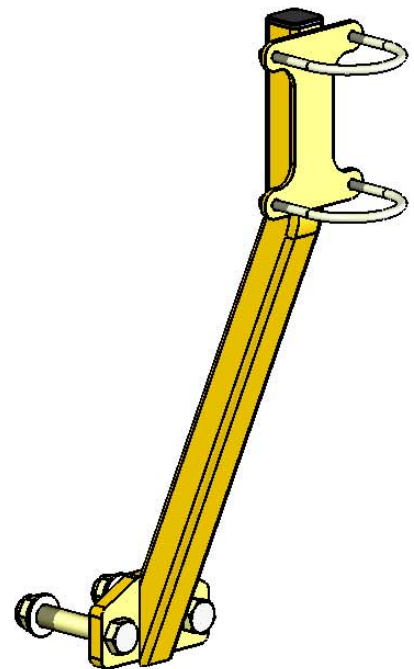




# Distribution head support kit Ø90

Reference : SEM03-19-020

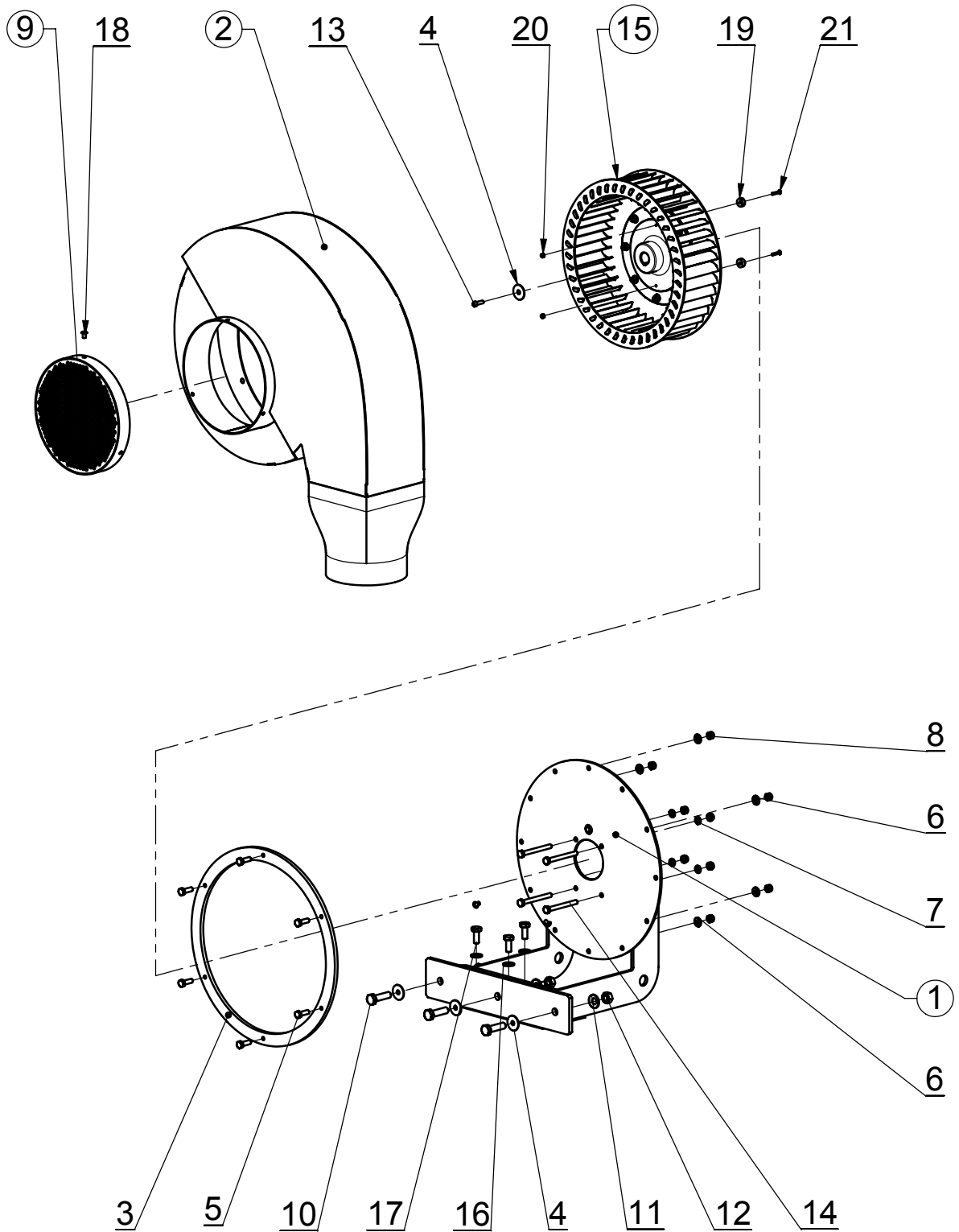
					Weight : 5.59 Kg
Seep	Reference	Description	Qty.	Weight	Comments
1	SEM03-19-520	Distribution head support Ø90	1	4.38	
2	ETR-520	Stirrup cyl Ø8x90	2	0.11	
3	VH20-120	Screw H - M20 x 120 - 8.8 - bichromated yellow	2	0.372	
4	R20M	Average washer Ø20 - yellow electro zinc	2	0.02	
5	EN20	Nylstop Nut M20 - 8 - bichromated yellow	2	0.076	
6	CT40404	Tube-mask 40x40x4	1	0.01	
7	RDC8	Washer Ø8 - yellow electro zinc	4	0.002	
8	EN8	Nylstop Nut M8 - 8 - bichromated yellow	4	0.006	





***PNEUMATIC SEED DRILLS  
COMMON SPARE PARTS***

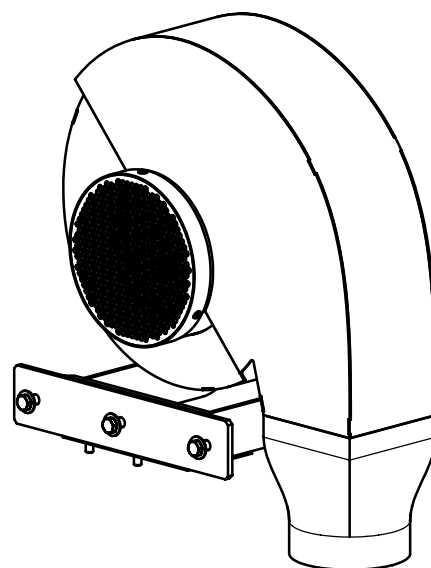
---

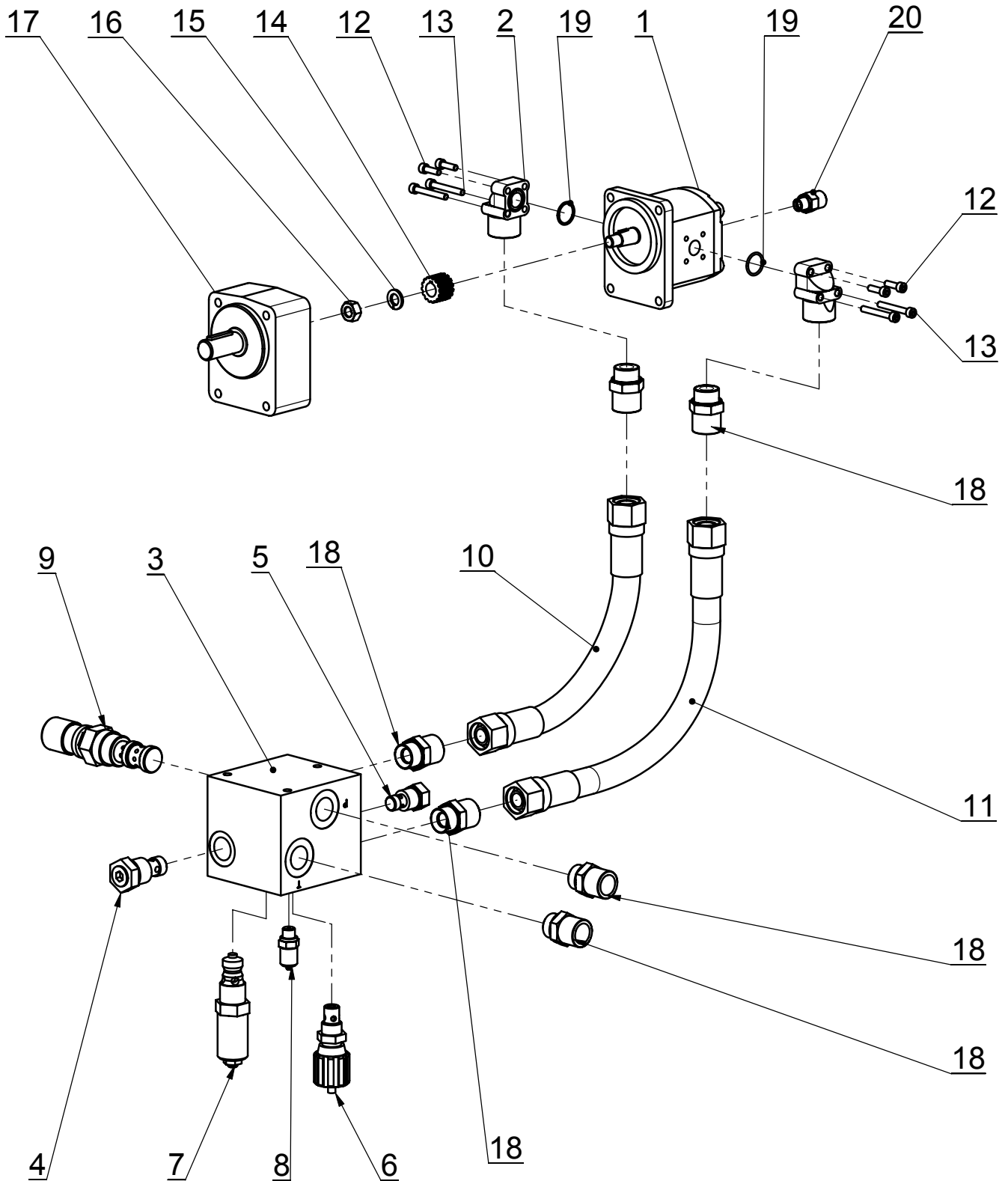


# Turbine kit without driving system

Reference : SEM01-29-005

					Weight : 28.89 Kg
Seep	Reference	Description	Qty.	Weight	Comments
1	SEM01-29-506	Blower bracket	1	10.77	
2	SEM01-29-522	turbine soldered casing	1	10.87	
3	SEM01-29-611	Spacer ring	1	1.84	
4	R8LL	Extra large washer Ø8- electro zinc	4	0.01	
5	VH8-025-FT	Screw H - M8 x 25 - 8.8 - white zinc-coated	6	0.016	
6	RDC8	Washer Ø8 - yellow electro zinc	6	0.002	
7	RE8	Washer Ø8 - elastic white zinc-coated	4	0.002	
8	EN8	Nylstop Nut M8 - 8 - white zinc-coated	10	0.01	
9	SEM01-29-504	Filtration grill	1	0.49	
10	VH12-045	Screw H - M12 x 45 - 8.8 - white zinc-coated	3	0.058	
11	RDC12	Washer Ø12 - yellow electro zinc	3	0.006	
12	EH12	Nut H - M12 - 8 - white zinc-coated	3	0.017	
13	VCHC6-020-FT	Screw CHc - M6 x 20 - 8.8 - bichromated yellow	1	0.10	
14	VH8-080	Screw H - M8 x 80 - 8.8 - white zinc-coated	4	0.034	
15	SEM01-29-010	Equipped turbine rotor	1	4.13	
16	R10M	Average washer Ø10 - yellow electro zinc	3	0.00	
17	VH10-025-FT	Screw H - M10 x 25 - 8.8 - white zinc-coated	3	0.028	
18	RA6-10	Flat-head rivet Ø6 x 10	3	0	
19	RDS-624	Magnet Ø16.5 - 4.5 x 7	2	0.01	
20	EN4	Nylstop Nut M4 - 8 - white zinc-coated	2	0.00	
21	VBHC4-020-IFT	Screw BHC - M4 x 20 - 8,8 - stainless steel	2	0.00	

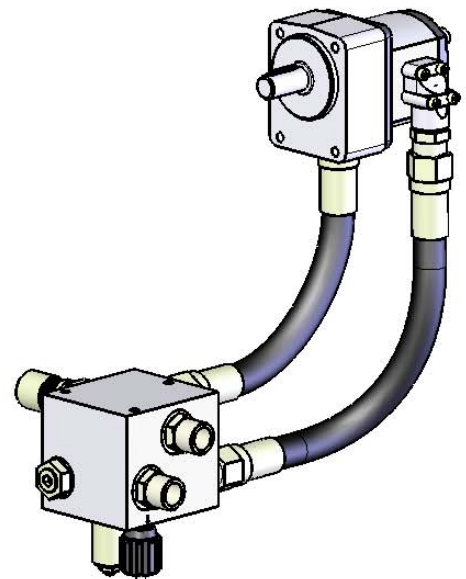


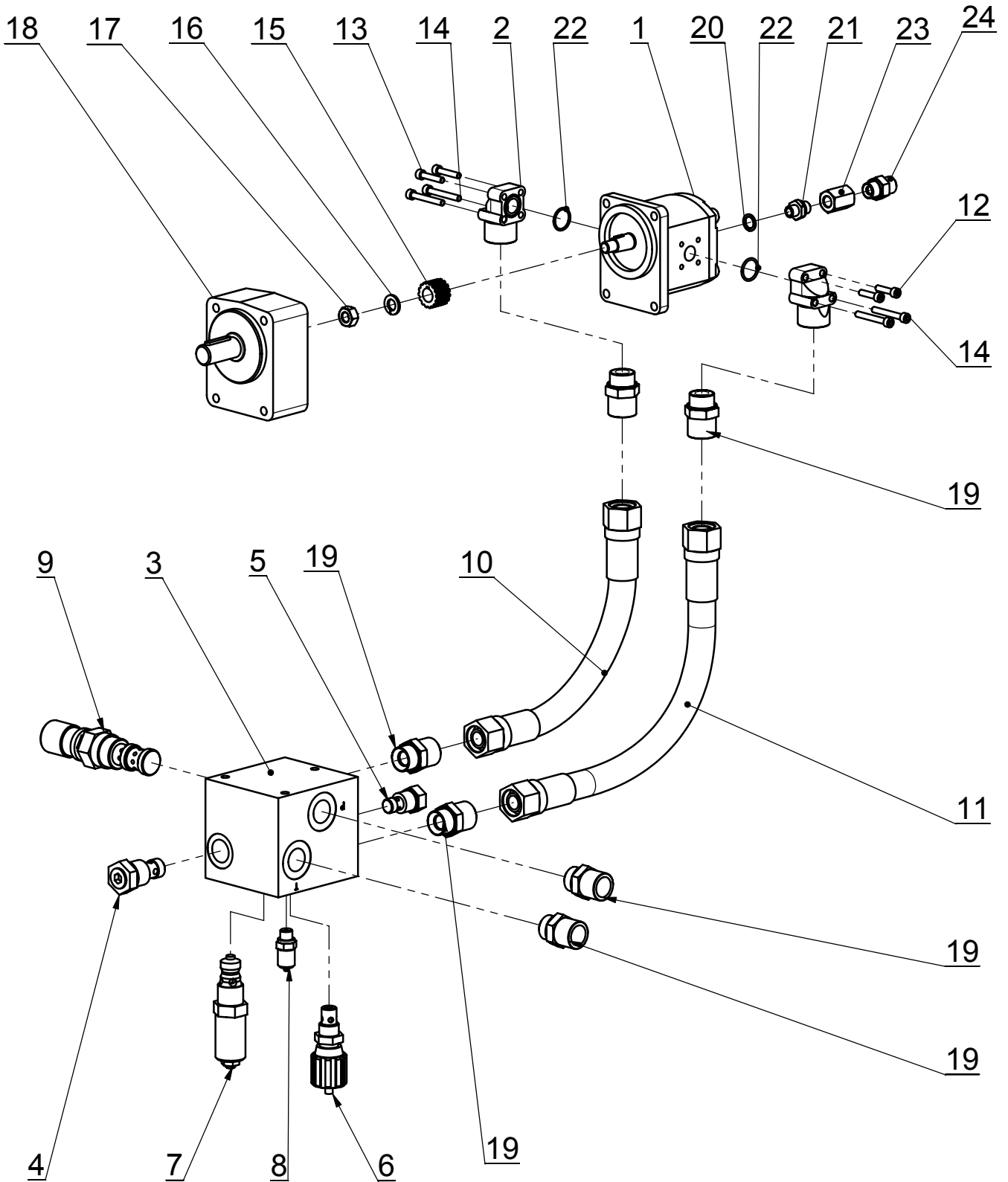


# Turbine drive kit 14 cm<sup>3</sup>

Reference : SEM01-31-010

					Weight : 18.95 Kg
Seep	Reference	Description	Qty.	Weight	Comments
1	SNM2/14002	Hydraulic motor	1	5.55	
2	B3-004	Discharge flange 3/4	2	0.24	
3	B050610	Bored bloc	1	3.27	
4	3 047 039	Non-return valve 0,35 B RV 12A	1	0.23	
5	3 014 052	Non-return valve 0,35 B RV 10A	1	0.12	
6	705 430	Flow control valve DVE10	1	0.42	
7	552 806	Pressure control valve 250B DB12	1	0.56	
8	680107	Pressure plug	1	0.07	
9	820 20 36 19	Application rate setting 3 channels	1	0.93	
10	2T-00400-20S20S	Flexible coupling 0,40 m DIN20S - DIN20S	1	0.12	
11	2T-00460-20S20S	Flexible coupling 0,46 m DIN20S - DIN20S	1	0.16	
12	VCHC6-020-FT	Screw CHc - M6 x 20 - 8.8 - bichromated yellow	4	0.10	
13	VCHC6-045	Screw CHc - M6 x 45 - 8.8 - bichromated yellow	4	0.13	
14	ZBR10504	Fluted socket	1	0.06	
15	RE12	Washer Ø12 - elastic white zinc-coated	1	0.004	
16	EH12	Nut H - M12 - 8 - white zinc-coated	1	0.017	
17	ZBR 25606	Steady rest bearing	1	4.68	
18	UM20S034R	Male union fitting 3/4" gas - DIN20S	6	0.15	
19	OR3075	O-ring Ø19-2,55	2	0.00	
20	UM12S014R	Male union fitting 1/4" gas - DIN12S	1	0.04	



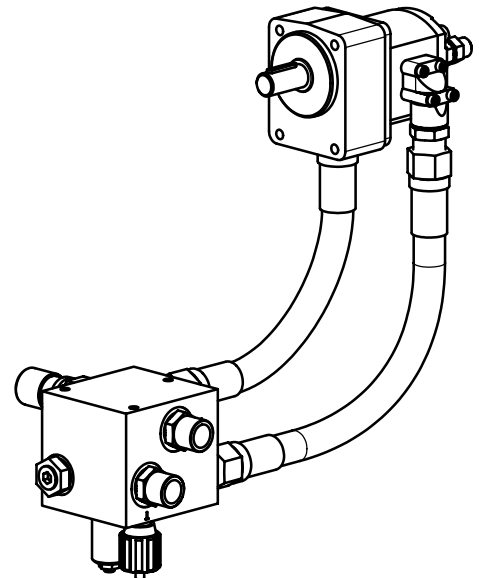


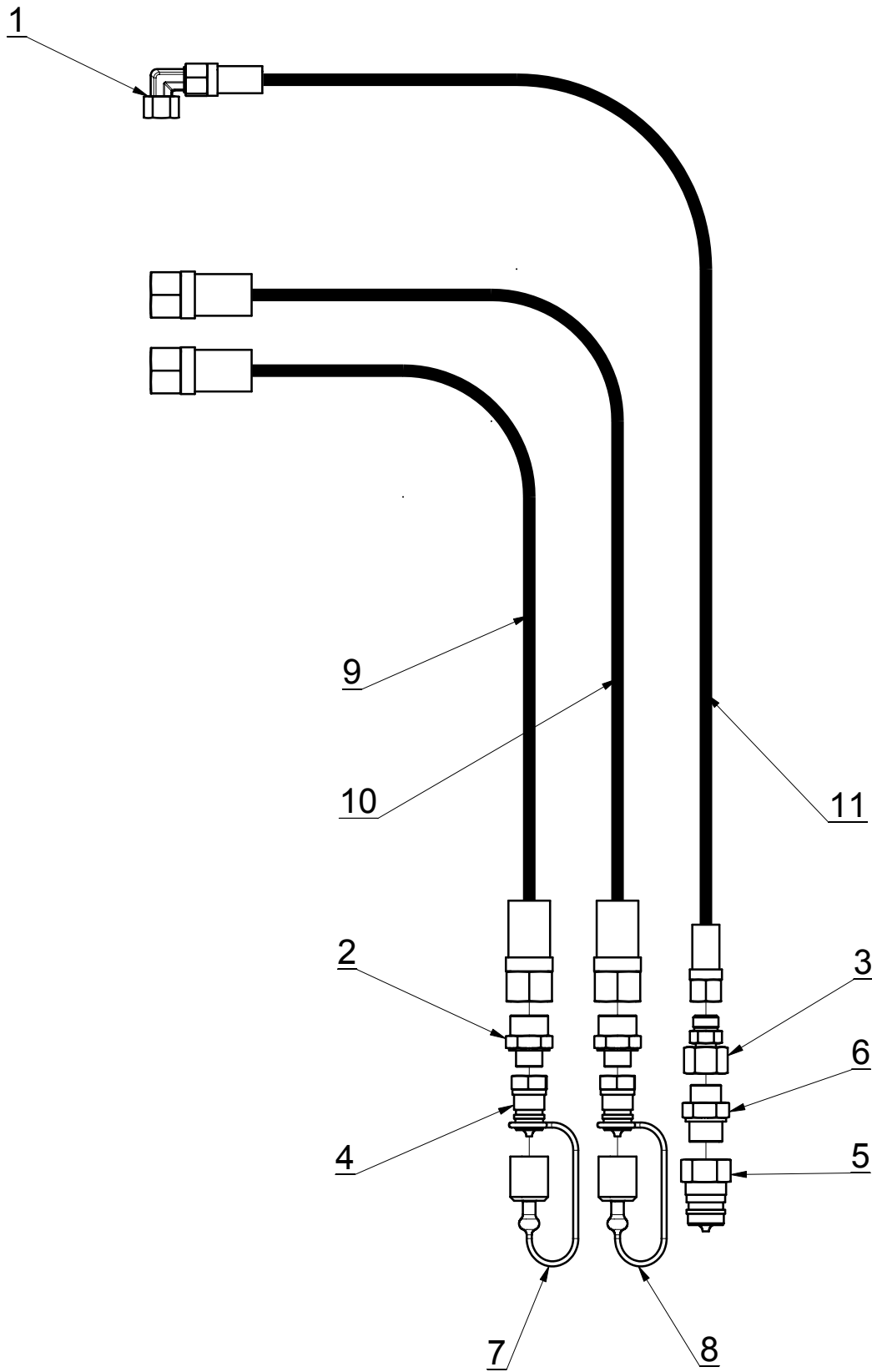


# Turbine drive kit 16 cm<sup>3</sup>

Reference : SEM01-31-006

					Weight : 19.07 Kg
Seep	Reference	Description	Qty.	Weight	Comments
1	0 511 625 602	Hydraulic motor	1	5.55	
2	B3-004	Discharge flange 3/4	2	0.24	
3	B050610	Bored bloc	1	3.27	
4	3 047 039	Non-return valve 0,35 B RV 12A	1	0.23	
5	3 014 052	Non-return valve 0,35 B RV 10A	1	0.12	
6	705 430	Flow control valve DVE10	1	0.42	
7	552 806	Pressure control valve 250B DB12	1	0.56	
8	680107	Pressure plug	1	0.07	
9	820 20 36 19	Application rate setting 3 channels	1	0.93	
10	2T-00400-20S20S	Flexible coupling 0,40 m DIN20S - DIN20S	1	0.12	
11	2T-00460-20S20S	Flexible coupling 0,46 m DIN20S - DIN20S	1	0.16	
12	VCHC6-025-FT	Screw CHc - M6 x 25 - 8.8 - bichromated yellow	2	0.11	
13	VCHC6-030-FT	Screw CHc - M6 x 30 - 8.8 - bichromated yellow	2	0.12	
14	VCHC6-045	Screw CHc - M6 x 45 - 8.8 - bichromated yellow	4	0.13	
15	ZBR10504	Fluted socket	1	0.06	
16	RE12	Washer Ø12 - elastic white zinc-coated	1	0.004	
17	EH12	Nut H - M12 - 8 - white zinc-coated	1	0.017	
18	ZBR 25606	Steady rest bearing	1	4.68	
19	UM20S034R	Male union fitting 3/4" gas - DIN20S	6	0.15	
20	BS12	BS ring Ø12,7	1	0.00	
21	UM6L014R	Male union fitting 1/4" gas - DIN6L	1	0.03	
22	OR3075	O-ring Ø19-2,55	2	0.00	
23	UFF038R014R	Female-female union fitting 3/8" gas 1/4" gas	1	0.07	
24	UM12S038R	Male union fitting 3/8" gas - DIN12S	1	0.06	



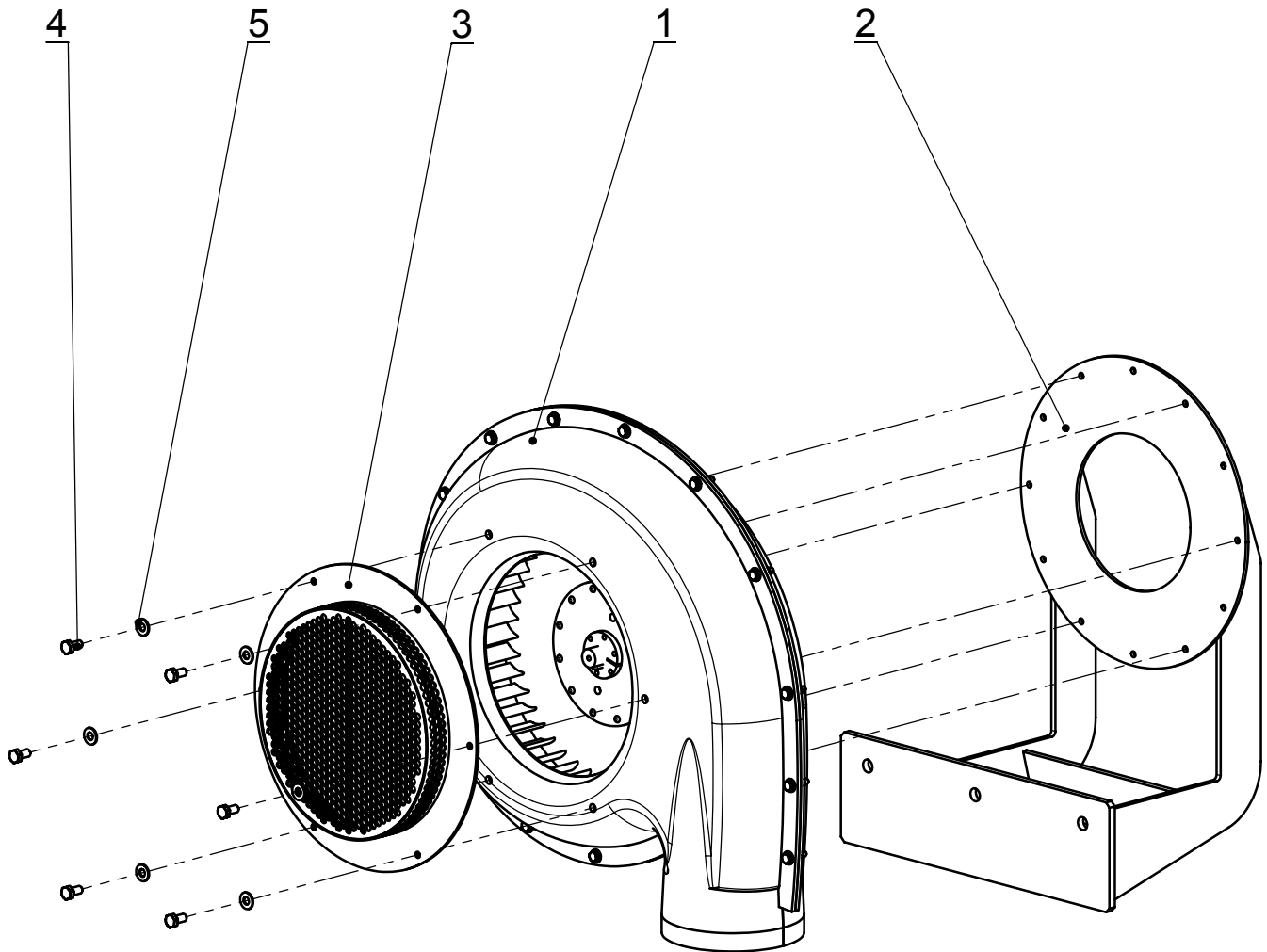


# Hydraulic kit for DS750 seed-drill

Reference: SEM01-20-005

Disc-O-Mulch carried version - Reference: SEM01-20-005					Poids : 12.26 Kg
Seep	Reference	Description	Qty.	Weight	Comments
1	CT12S	Adaptable bend DIN 12S	1	0.11	
2	UM20S012R	Male union fitting 1/2" gas - DIN20S	2	0.12	
3	ADR16-12S	Rotating convertor DIN16S - DIN12S	1	0.16	
4	CHMC012	Male valve coupler 1/2" gas	2	0.11	
5	CHMC034	Male valve coupler 3/4" gas	1	0.24	
6	UM16S034R	Male union fitting 3/4" gas - DIN16S	1	0.16	
7	TF1521R	Female plug for male coupler CHMC012 red	1	0.02	
8	TF1521B	Female plug for male coupler CHMC012 blue	1	0.02	
9	2T-03500-20S20S	Flexible coupling 3,50m DIN20S - DIN20S	1	3.84	
10	2T-03500-20S20S	Flexible coupling 3,50m DIN20S - DIN20S	1	3.84	
11	2T-03500-12S12S	Flexible coupling 3,50m DIN12S - DIN12S	1	1.99	

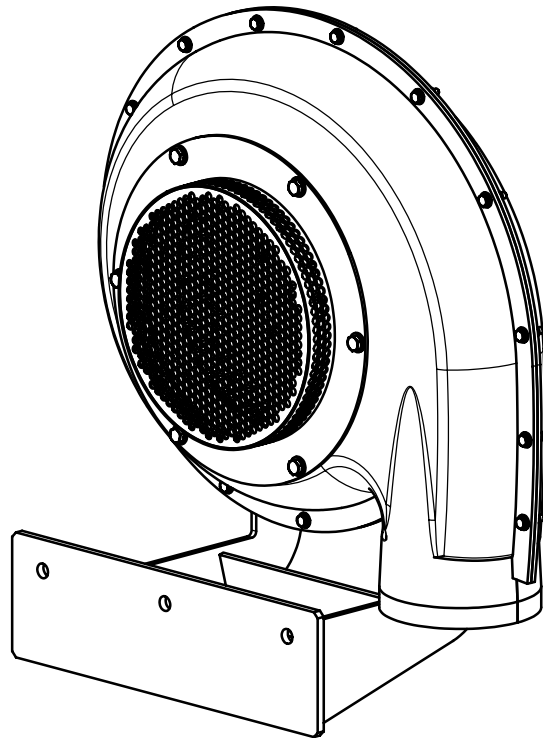
Disc-O-Mulch trailed version - Reference: SEM01-20-006					Weight: 15.42 Kg
Seep	Reference	Description	Qty.	Weight	Comments
1	CT12S	Adaptable bend DIN 12S	1	0.11	
2	UM20S012R	Male union fitting 1/2" gas - DIN20S	2	0.12	
3	ADR16-12S	Rotating convertor DIN16S - DIN12S	1	0.16	
4	CHMC012	Male valve coupler 1/2" gas	2	0.11	
5	CHMC034	Male valve coupler 3/4" gas	1	0.24	
6	UM16S034R	Male union fitting 3/4" gas - DIN16S	1	0.16	
7	TF1521R	Female plug for male coupler CHMC012 red	1	0.02	
8	TF1521B	Female plug for male coupler CHMC012 blue	1	0.02	
9	2T-05000-20S20S	Flexible coupling 5,00m DIN20S - DIN20S	1	5.09	
10	2T-05000-20S20S	Flexible coupling 5,00m DIN20S - DIN20S	1	5.09	
11	2T-05000-12S12S	Flexible coupling 5,00m DIN12S - DIN12S	1	2.66	

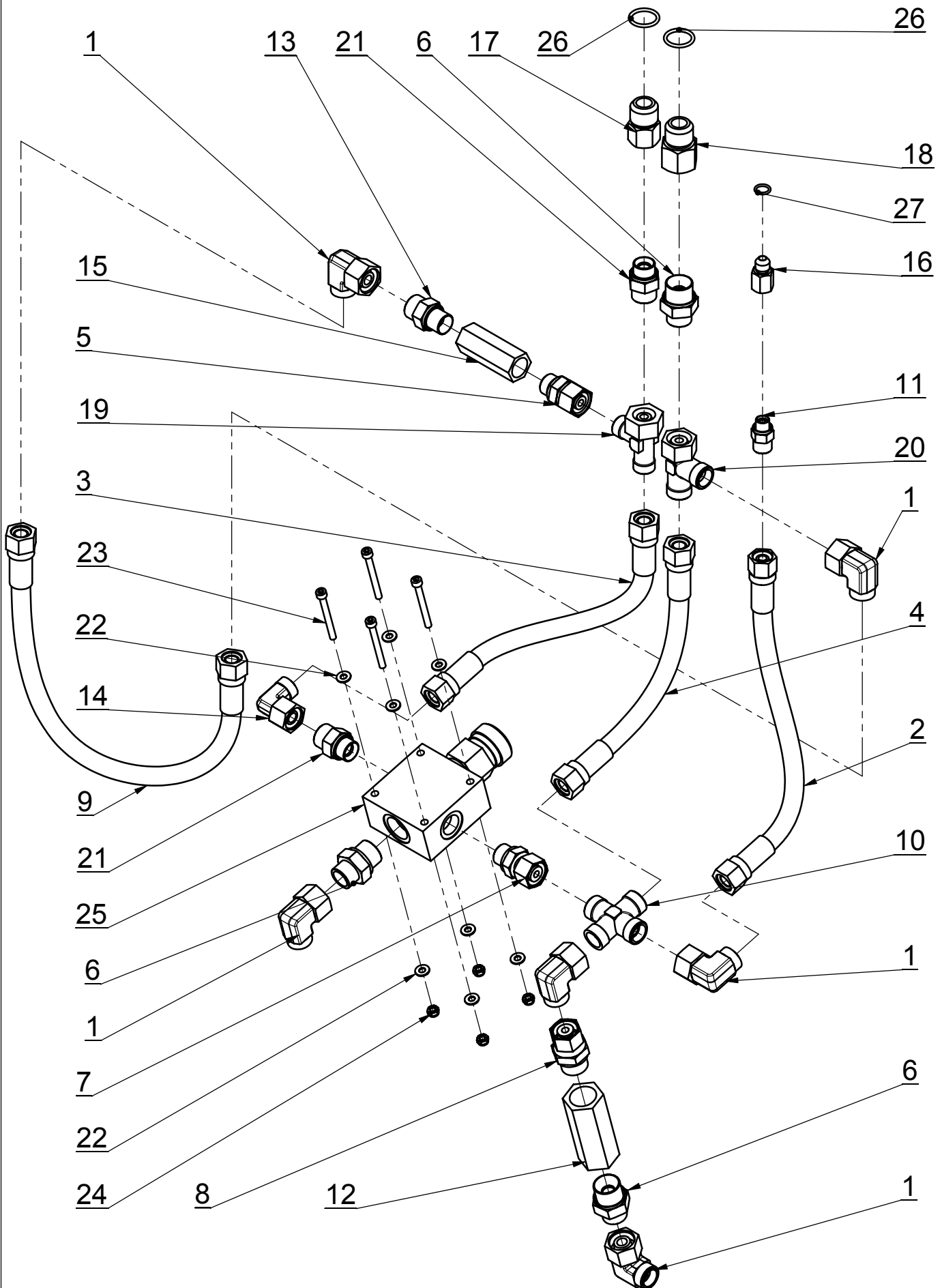


# Turbine kit

Reference : SEM01-29-025

					Weight : 31.33 Kg
Seep	Reference	Description	Qty.	Weight	Comments
1	22876	CRARY Turbine	1	19.86	
2	SEM01-29-524	Blower bracket	1	10.06	
3	SEM01-29-523	Filtration grill	1	1.32	
4	VH8-016-FT	Screw H - M8 x 16 - 8.8 - white zinc-coated	6	0.012	
5	R8M	Average washer Ø8 - yellow electro zinc	6	0.00	

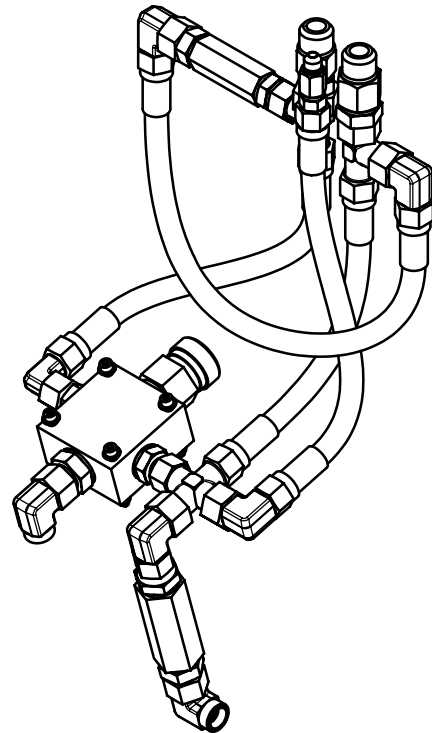


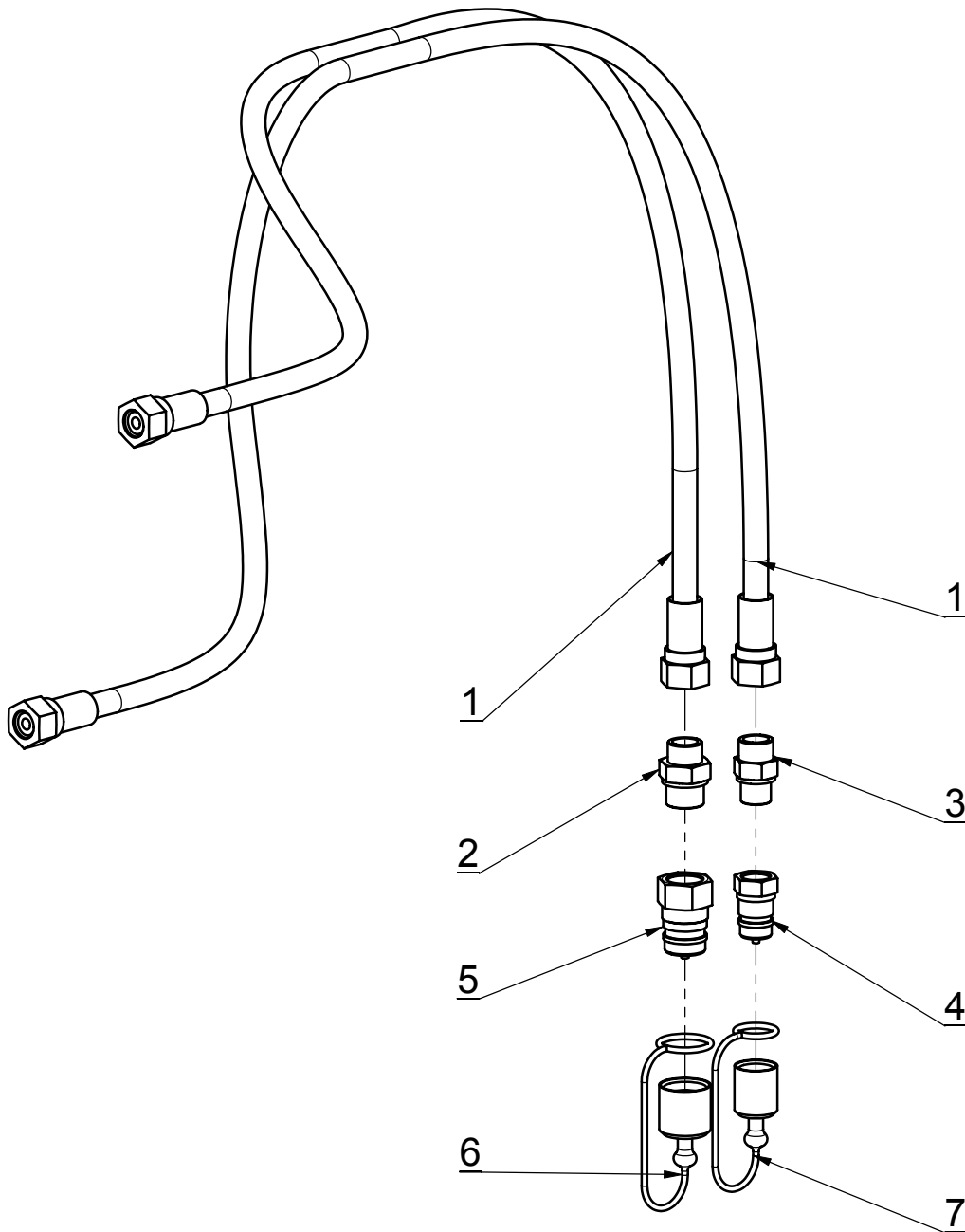


# Hydraulic kit for turbine CRARY

Reference : SEM01-31-011

					Weight : 8.61 Kg
Seep	Reference	Description	Qty.	Weight	Comments
1	CT16S	Adaptable bend DIN 16S	6	0.24	
2	2T-00500-12S16S	Flexible coupling 0,50m DIN12S - DIN16S	1	0.07	
3	2T-00500-14S14S	Flexible coupling 0,50m DIN14S - DIN14S	1	0.06	
4	2T-00500-16S16S	Flexible coupling 0,50m DIN16S - DIN16S	1	0.06	
5	AT14S012R	Rotating adaptor DIN 12S - 3/8" Gas	1	0.16	
6	UM16S034R	Male union fitting 3/4" gas - DIN16S	3	0.16	
7	AT16S012R	Rotating adaptor DIN 15L - 3/8" Gas	1	0.1	
8	AT16S034R	Rotating adaptor DIN 15L - 3/8" Gas	1	0.1	
9	2T-00800-16S16S	Flexible coupling 0,80m DIN16S - DIN16S	1	0.12	
10	CE16S	Croix union DIN16S	1	0.06	
11	UM12S014R	Male union fitting 1/4" gas - DIN12S	1	0.04	
12	RS19	anti return valve 3/4" gas	1	0.08	
13	UM16S012R	Male union fitting 1/2" gas - DIN16S	1	0.09	
14	CT14S	Adaptable bend DIN 14S	1	0.15	
15	RS13	anti return valve 1/2" gas	1	0.08	
16	AMF916J014R	Male female adapter JIC 9/16 - 1/4" gaz	1	0.12	
17	AMF1116J012R	Male female adapter JIC 1"1/16 - 1/2" gaz	1	0.12	
18	AMF1116J034R	Male female adapter JIC1"1/16 - 3/4" gaz	1	0.12	
19	TOR14S	Reverse swivelling T DIN14S	1	0.13	
20	TOR16S	Reverse swivelling T DIN16S	1	0.13	
21	UM14S012R	Male union fitting 1/2" gas - DIN14S	2	0.11	
22	R6M	Average washer Ø6 - yellow electro zinc	8	0.00	
23	VCHC6-060	Screw CHc - M6 x 60 - 8.8 - white zinc-coated	4	0.15	
24	EN6	Nylstop Nut M6 - 8 - white zinc-coated	4	0.00	
25	DD6550KGAR	Output divider 3/8" Gas - 50/50 - 50 Litres Max.	1	2.75	
26	JT24-3	Ring-shaped Joint 72 NBR 872 Ø64x4	2	0.00	
27	JT12-2	Ring-shaped Joint 72 NBR 872 Ø64x4	1	0.00	



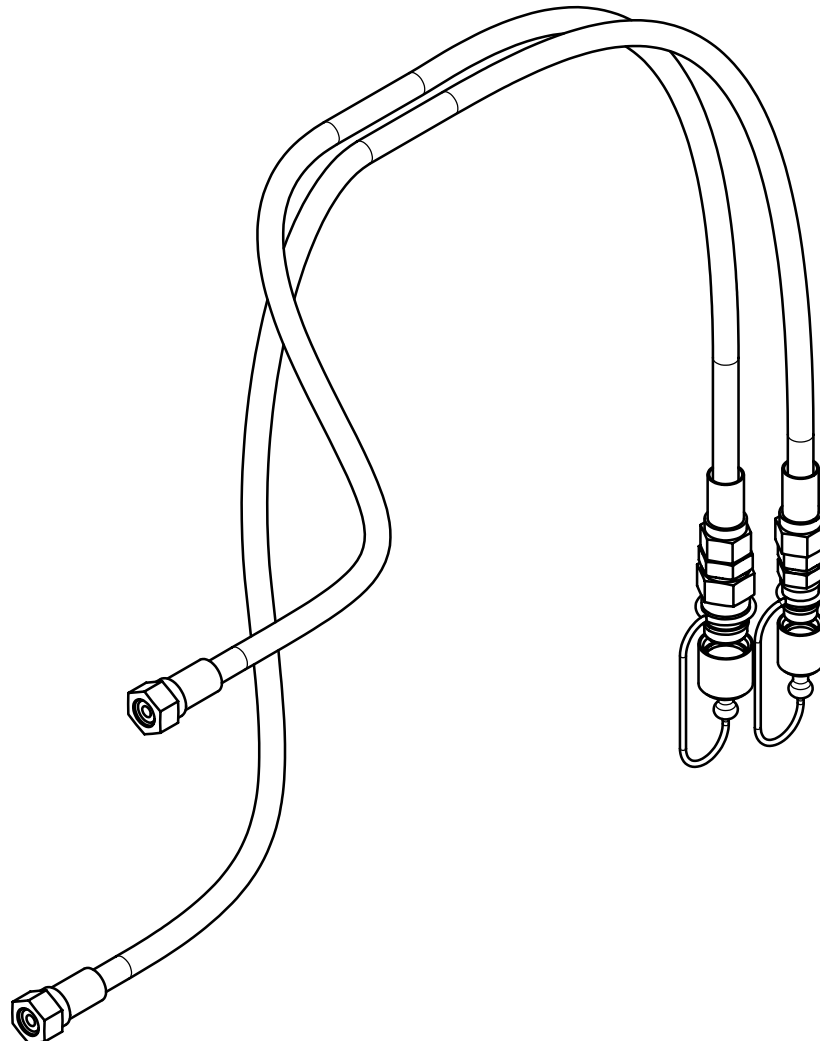


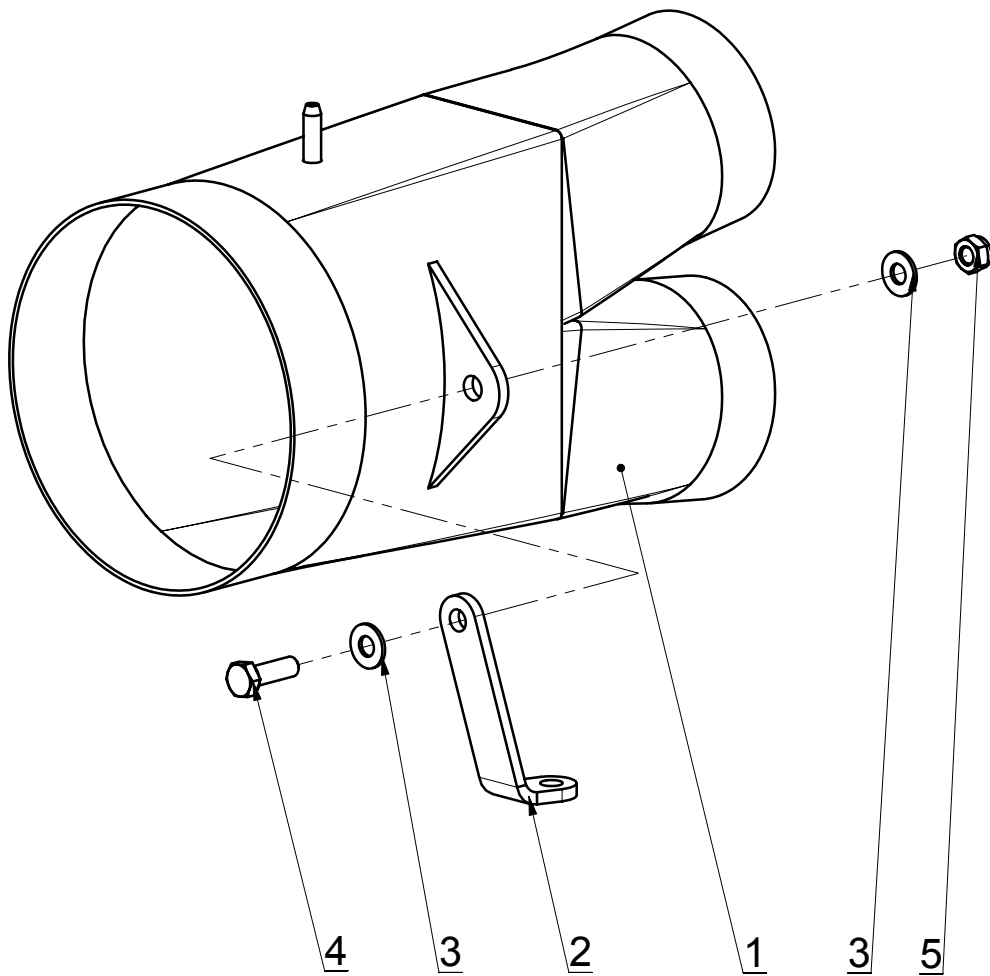


# Hydraulic hose kit

Reference : SEM04-20-003

					Weight : 6.25 Kg
Seep	Reference	Description	Qty.	Weight	Comments
1	2T-02600-16S-16S	Flexible coupling 2.60m DIN16S - DIN16S	2	2.64	
2	UM16S034R	Male union fitting 3/4" gas - DIN16S	1	0.16	
3	UM16S012R	Male union fitting 1/2" gas - DIN16S	1	0.09	
4	CHMC012	Male valve coupler 1/2" gas	1	0.11	
5	CHMC034	Male valve coupler 3/4" gas	1	0.24	
6	TF2027R	Female plug for male coupler CHMC034 red	1	0.02	
7	TF1521R	Female plug for male coupler CHMC012 red	1	0.02	

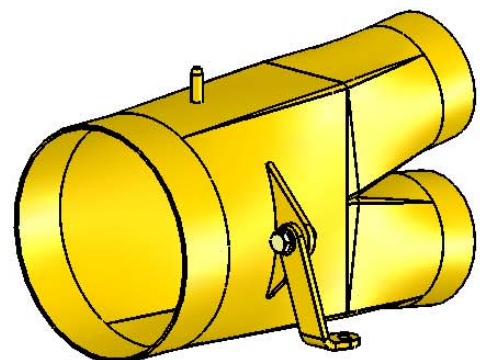


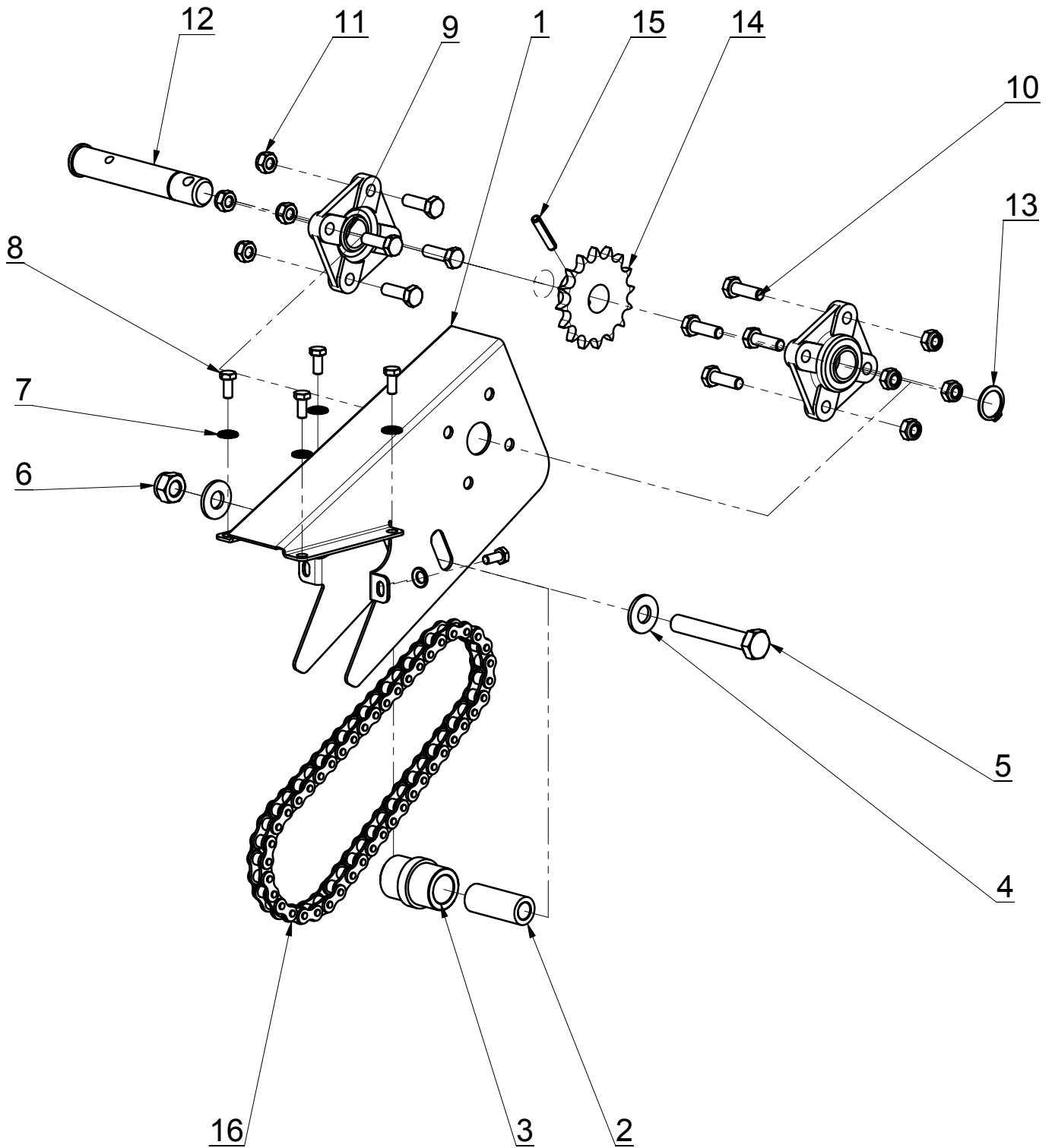


# Connection kit

Reference : SEM01-29-022

					Weight : 2.64 Kg
Seep	Reference	Description	Qty.	Weight	Comments
1	SEM01-29-510	Two outlet air manifold	1	2.54	
2	SEM01-29-604	Connection support	1	0.08	
3	R8M	Average washer Ø8 - yellow electro zinc	2	0.00	
4	VH8-025-FT	Screw H - M8 x 25 - 8.8 - bichromated yellow	1	0.016	
5	EN8	Nylstop Nut M8 - 8 - bichromated yellow	1	0.006	

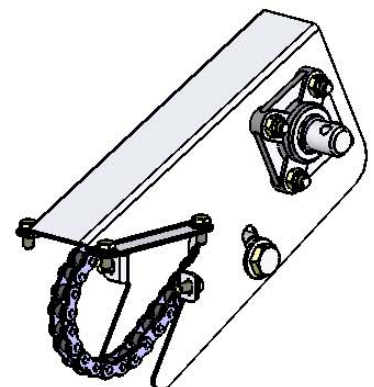


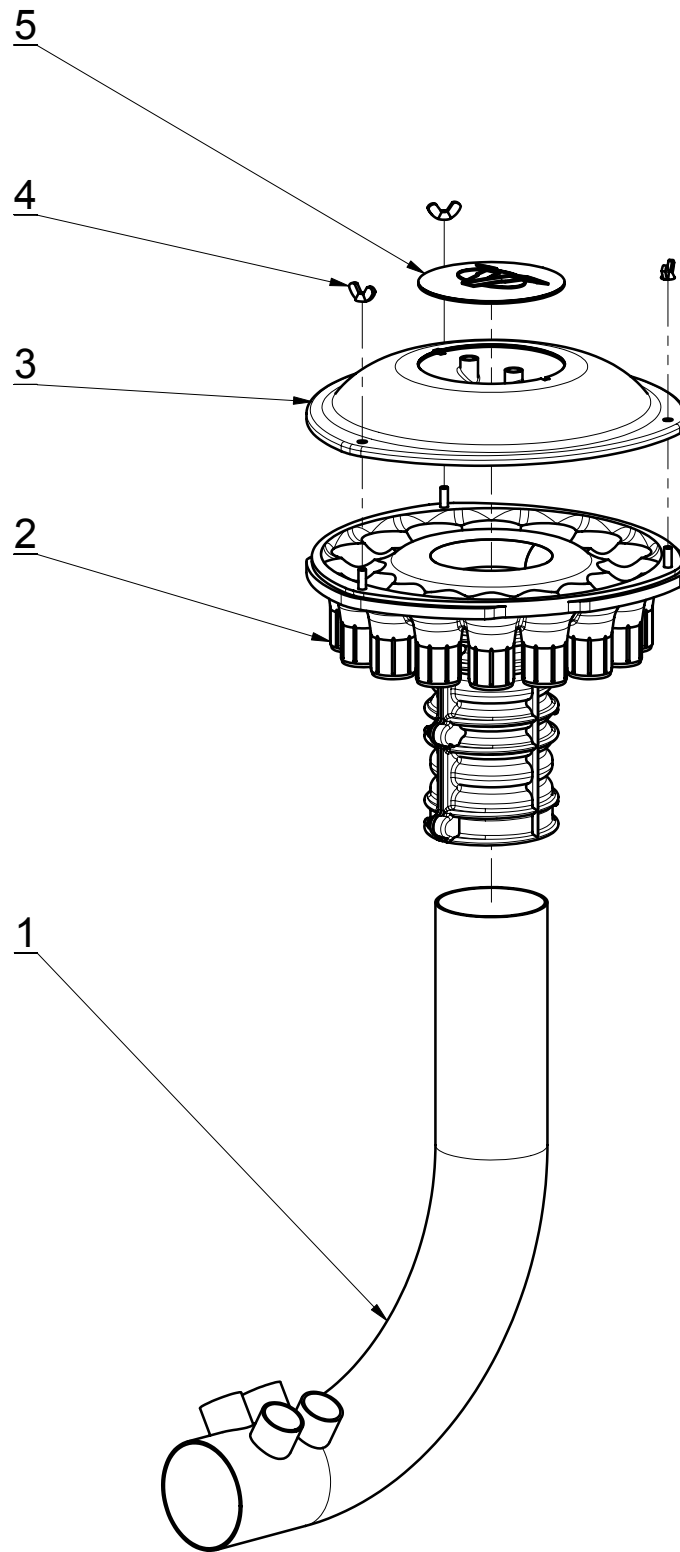


# Single distribution drive kit

Reference : SEM02-21-010

					Weight : 2.96 Kg
Seep	Reference	Description	Qty.	Weight	Comments
1	SEM01-21-620	Distribution drive chain casing	1	0.99	
2	SEM01-18-611	Swivel shaft for chain tension pulley	1	0.08	
3	SEM01-18-610	Chain tension pulley	1	0.02	
4	R12M	Average washer Ø12 - yellow electro zinc	2	0.01	
5	VH12-075	Screw H - M12 x 75 - 8.8 - bichromated yellow	1	0.085	
6	EN12	Nylstop Nut M12 - 8 - bichromated yellow	1	0.020	
7	RDC6	Washer Ø6 - yellow electro zinc	6	0.001	
8	VH6-014-FT	Screw H - M6 x 14 - 8.8 - bichromated yellow	6	0.006	
9	EFSM-20	Bearing - 4 holes Ø20	2	0.28	
10	VH8-025-FT	Screw H - M8 x 25 - 8.8 - bichromated yellow	8	0.016	
11	EN8	Nylstop Nut M8 - 8 - bichromated yellow	8	0.006	
12	SEM02-21-621	Gimbal joint exit axle	1	0.29	
13	CE20-1,2	External circlip 20x1,2	1	0.002	
14	PIGN12,7-16-1	Pinion 08B1-16 dents-12,7-Ø20	1	0.22	
15	GE06-30	Elastic pin Ø6x30	1	0.00	
16	SEM02-21-622	Chain - DIN 8187- Thread 12,7 - 46 links	1	0.47	

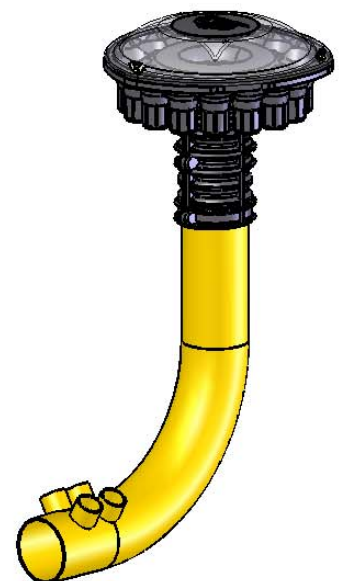


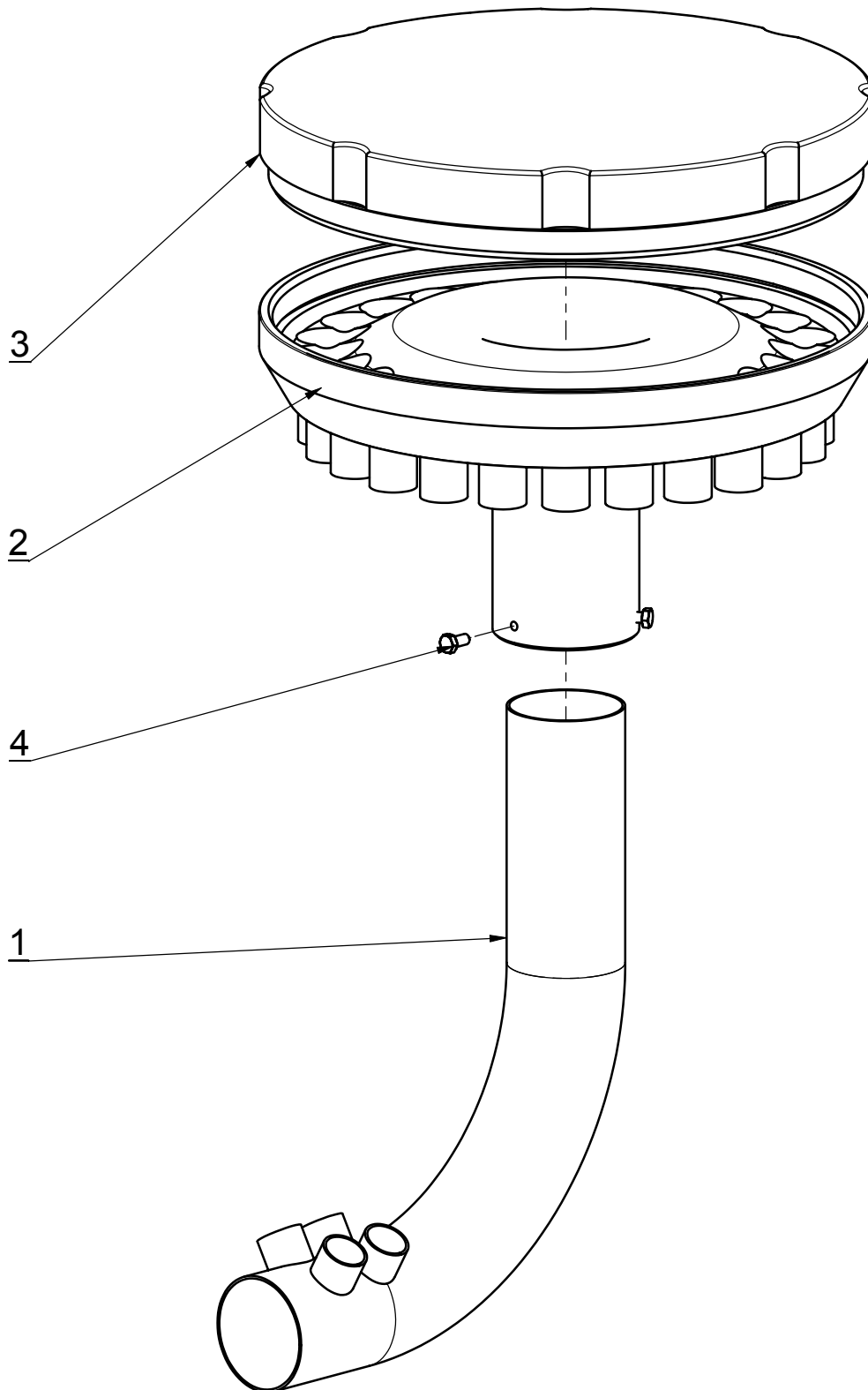


# Distribution kit Ø90 - 16 x Ø35

Reference : SEM01-30-050

					Weight : 4.41 Kg
Seep	Reference	Description	Qty.	Weight	Comments
1	SEM01-30-512	Distribution duct Ø90-35	1	2.94	
2	SEM01-30-509	Moulded distribution head main part Ø90 - 16 x Ø35	1	1.11	
3	SEM01-30-633	Moulded distribution head plug Ø90 - 16 x Ø35	1	0.33	
4	EAO6	Butterfly nut M6	3	0.01	
5	SEM01-30-634	AGRISEM wheel-disc for distribution head plug	1	0.02	



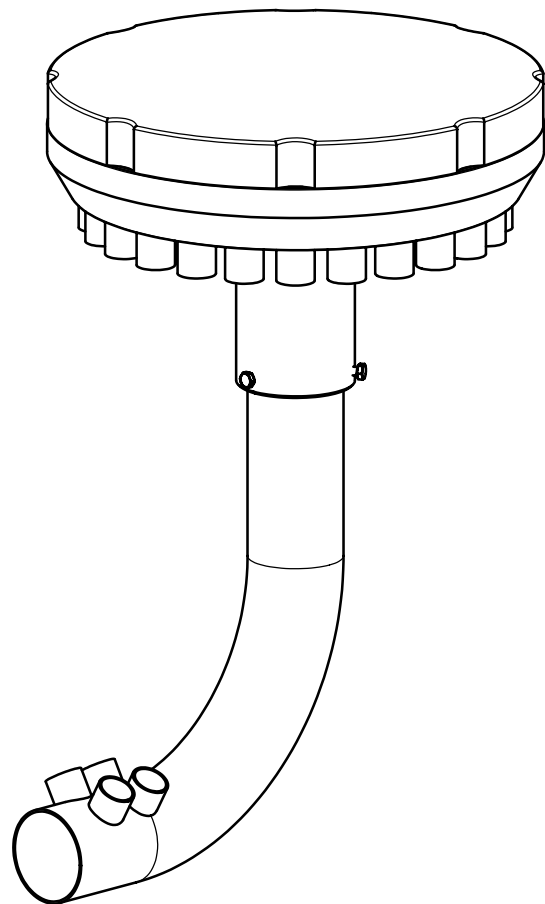


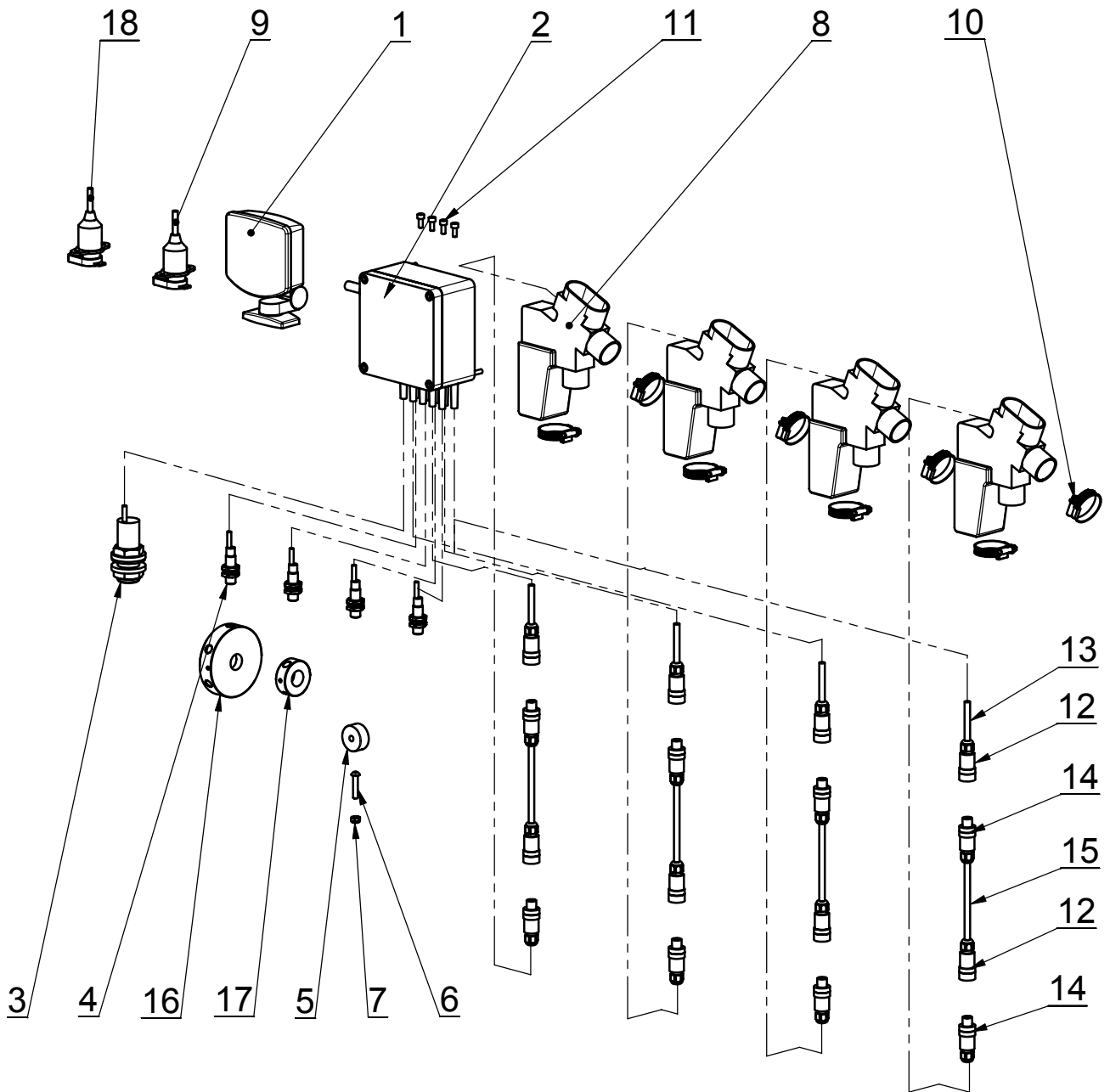


# Distribution kit Ø90 - 24 x Ø35

Reference : SEM01-30-080

					Weight : 18.67 Kg
Seep	Reference	Description	Qty.	Weight	Comments
1	SEM01-30-512	Distribution duct Ø90-35	1	2.94	
2	SEM01-30-510	Main part of the distribution head assembled 24 outlets Ø35	1	8.98	
3	SEM01-30-629	Distribution head plug Ø35mm	1	6.71	
4	VH8-016-FT	Screw H - M8 x 16 - 8.8 - white zinc-coated	3	0.012	





# Field marking kit for DSF 1500

Reference : SEM04-30-060

					Weight : 20.68 Kg
Seep	Reference	Description	Qty.	Weight	Comments
1	RDS-652	Control panel	1	3.73	
2	RDS-651	Connection box	1	9.87	
3	RDS-601	Output detector	1	0.49	
4	RDS-602	Proximity detector	4	0.06	
5	RDS-625	Magnet Ø33 – 6,5 x 15	1	0.09	
6	VBHC6-030-IFT	Screw BHC - M6 x 30 - 8,8 - stainless steel	1	0.01	
7	EN6	Nylstop Nut M6 - 8 - white zinc-coated	1	0.00	
8	RDS-513	Simple tramline valve	4	0.94	
9	RDS-653	Tractor supplying tube extention - 4,00m	1	0.34	
10	CBA 35-50	Band Collar 35-50	8	0.02	
11	VCHC5-012-FT	Screw CHc - M5 x 12 - 8.8 - white zinc-coated	4	0.06	
12	RKC5-7	Connector M12 – 5 contacts – female right	8	0.09	
13	SEM04-30-602	Electrical cable 3 x 0,75mm <sup>2</sup> - L2000 grey	4	0.00	
14	RSC5-7	Connector M12 – 5 contacts – male right	8	0.09	
15	SEM04-30-601	Electrical cable 3 x 0,75mm <sup>2</sup> - L6000 grey	4	0.00	
16	SEM03-30-052	Encoder wheel for fluted feed drill	1	0.12	
17	SEM03-30-053	Encoder wheel for stirrer	1	0.04	
18	RDS-654	Tractor supplying tube extention - 4,00m	1	0.34	

