



- COMPLETE Tablet Pack: **Ref-AR00290**

Detail :

- Surface Go Tablet : **Ref-AR00291**
- Protective case TabGo : **Ref-AR00292**
- Lighter Power TabGo : **Ref-AR00293**
- Support RAM + Harm + Bowls TabGo : **Ref-AR00294**
- Storage bag : **Ref-AR00295**

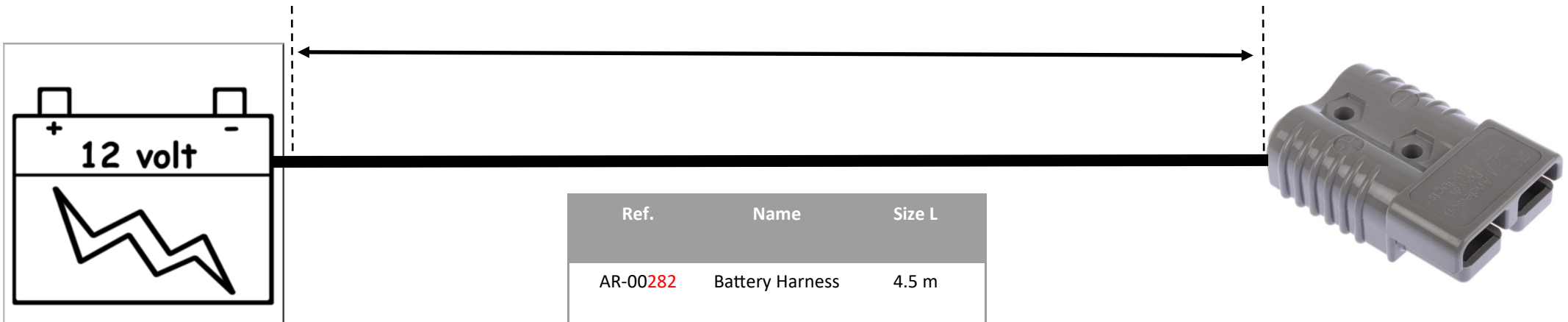


- XseedDose 1Mot : **Ref-AR00271**
- XseedDose 2Mot : **Ref-AR00246**
- XseedDose 3Mot : **Ref-AR00260**
- XseedDose 4Mot : **Ref-AR00272**

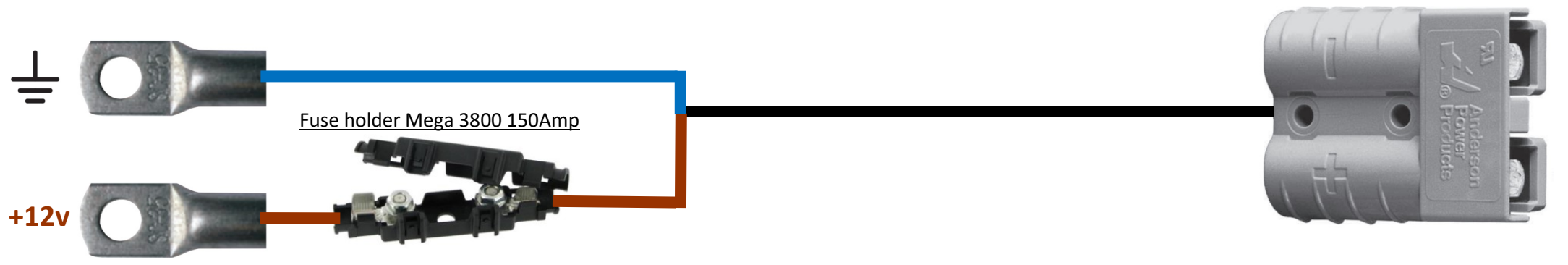
Configuration includes :

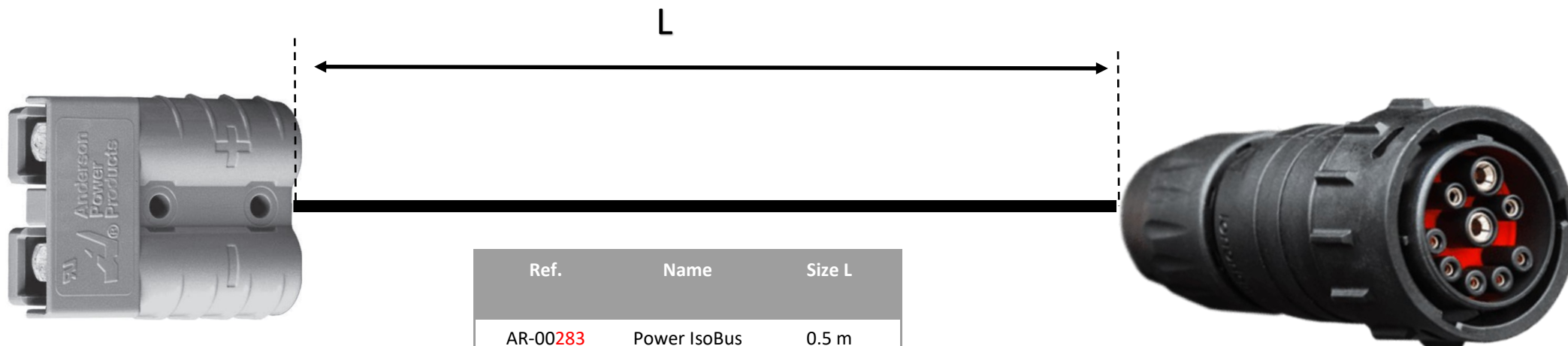
- A complete tablet pack
- A fully equipped suitcase
- A battery harness
- GPS Antenna
- A ON/OFF harness and pressure sensor connections
- Motor harnesses
- Tank bottom sensors
- A turbine sensor

L



Ref.	Name	Size L
AR-00282	Battery Harness	4.5 m
AR-00	Plug 175Amp	
AR+00	Battery terminal	
AR-00	Fuse holder	
AR-00	Fuse 150amp	



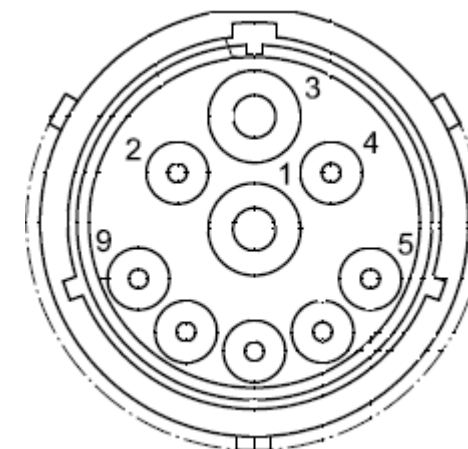


Ref.	Name	Size L
AR-00 <b>283</b>	Power IsoBus wire	0.5 m
AR-00	Plug 175Amp	
AR-00	Plug IsoBus	

**3. Brown - + 12v**

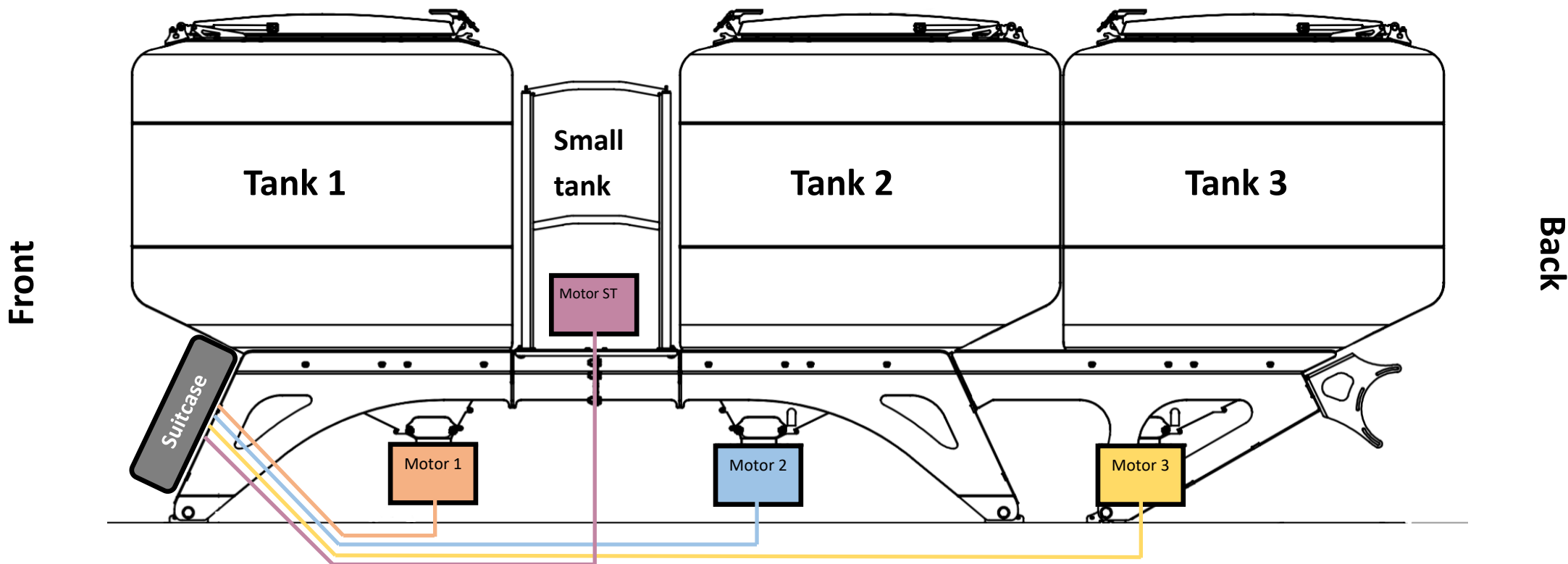


**1. Blue - GND**

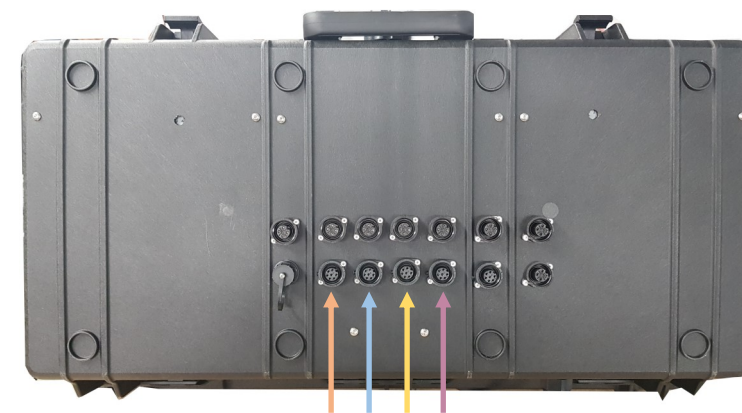


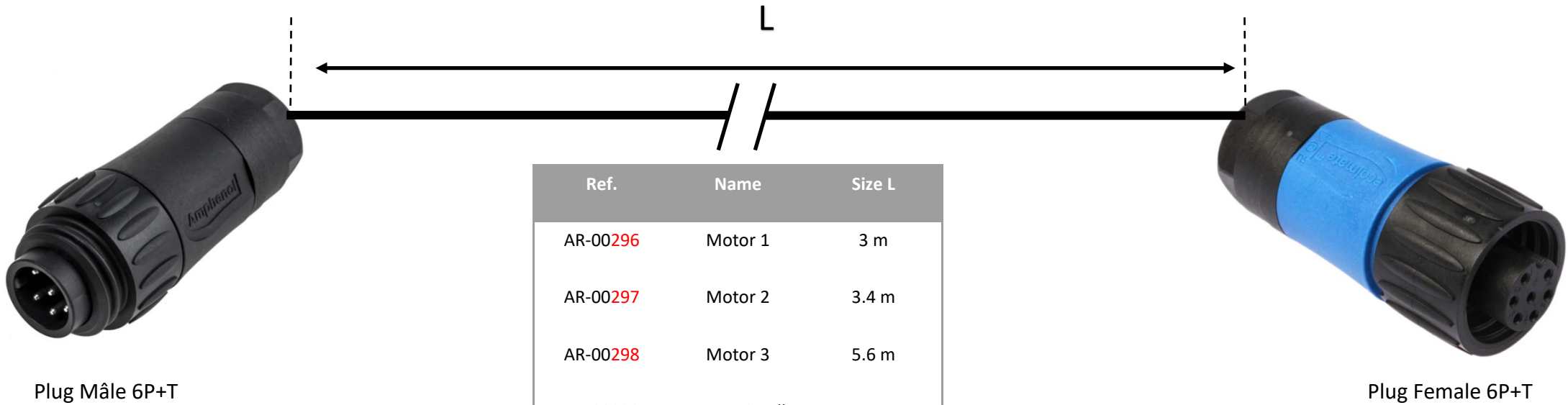
# Motors connections

24/08/2021

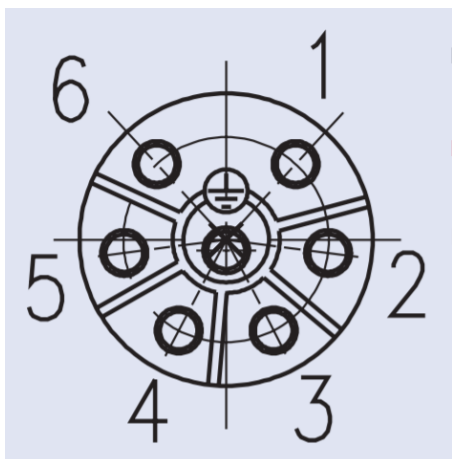


- - Faisceau Alimentation  
Suitcase - Motor 1 : **Ref- AR00296**
- - Faisceau Alimentation  
Suitcase - Motor 2 : **Ref- AR00297**
- - Faisceau Alimentation  
Suitcase - Motor 3 : **Ref- AR00298**
- - Faisceau Alimentation  
Suitcase - Motor Small Tank : **Ref- AR00299**





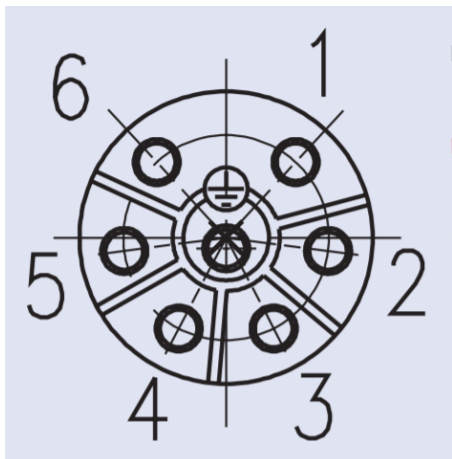
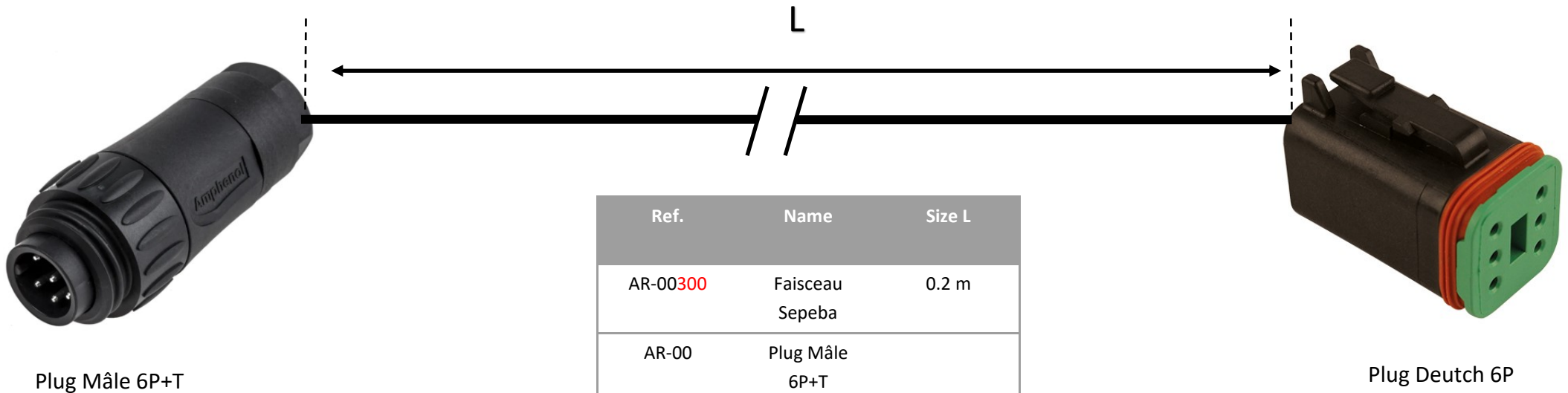
Ref.	Name	Size L
AR-00296	Motor 1	3 m
AR-00297	Motor 2	3.4 m
AR-00298	Motor 3	5.6 m
AR-00299	Motor Small Tank	4.5 m
AR-00	Plug Mâle	
AR-00	Plug Female	



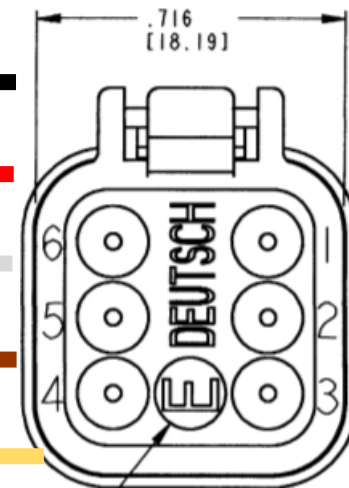
- 1. **Black** - GND Motor
- 2. **Red** - +12v Motor
- 3. **White** - GND Encoder
- 4. **Brown** - +5v Encoder
- 5. **Yellow** - Signal Encoder



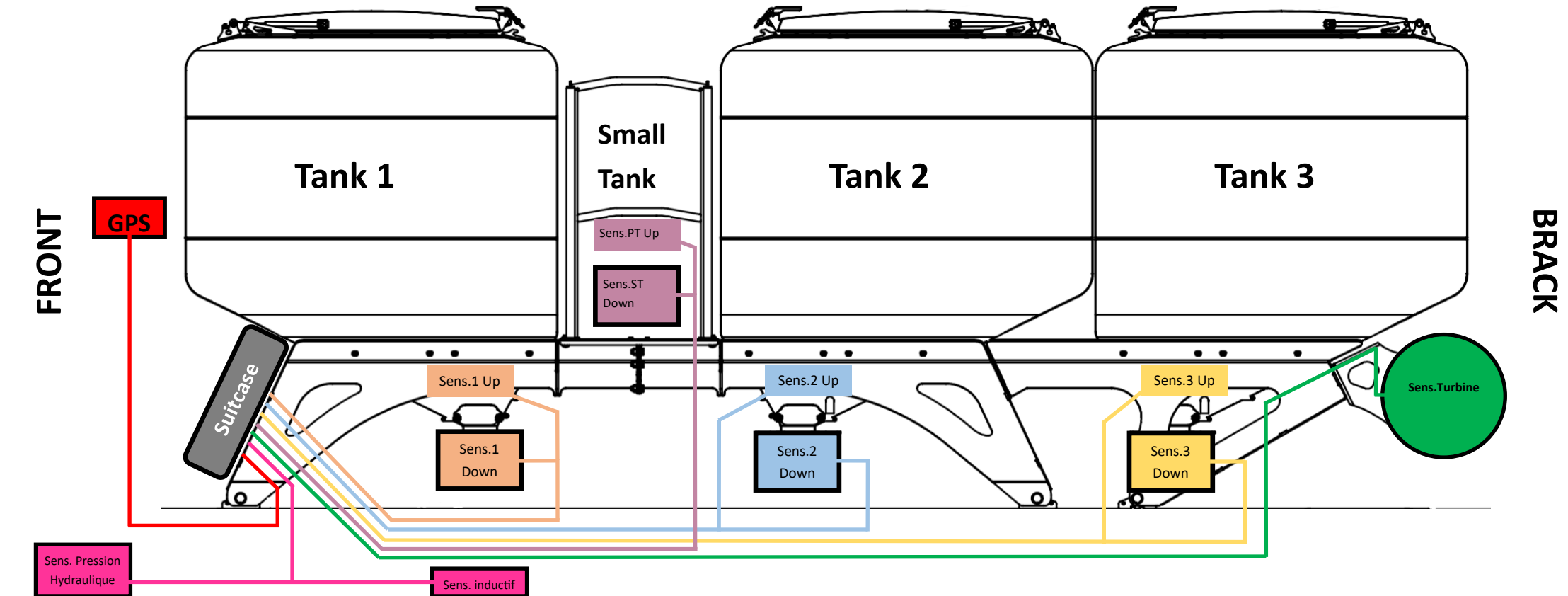




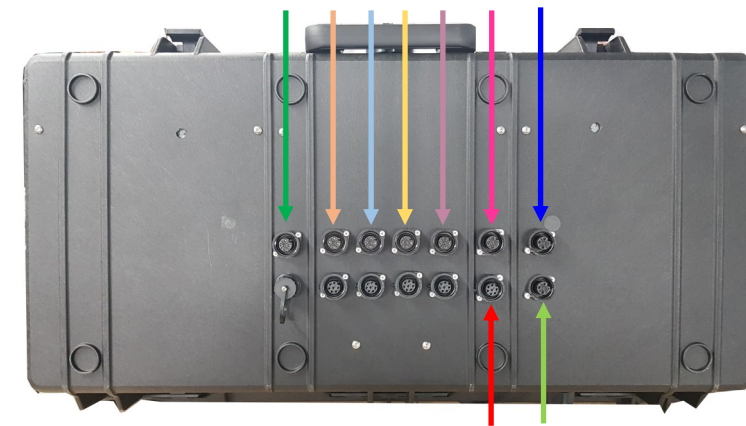
- 1. Black - GND Motor .1**
- 2. Red - +12v Motor .3**
- 3. White - GND Encoder .2**
- 4. Brown - +5v Encoder .6**
- 5. Yellow - Signal Encoder .4**



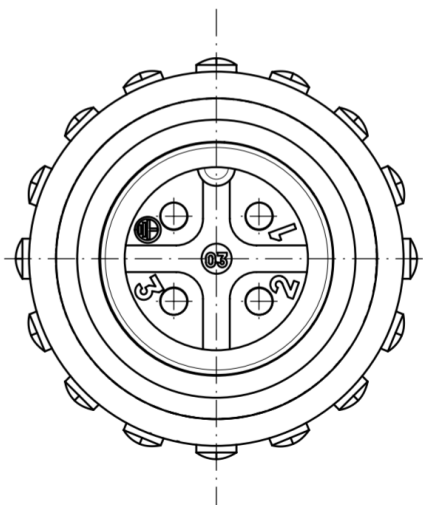
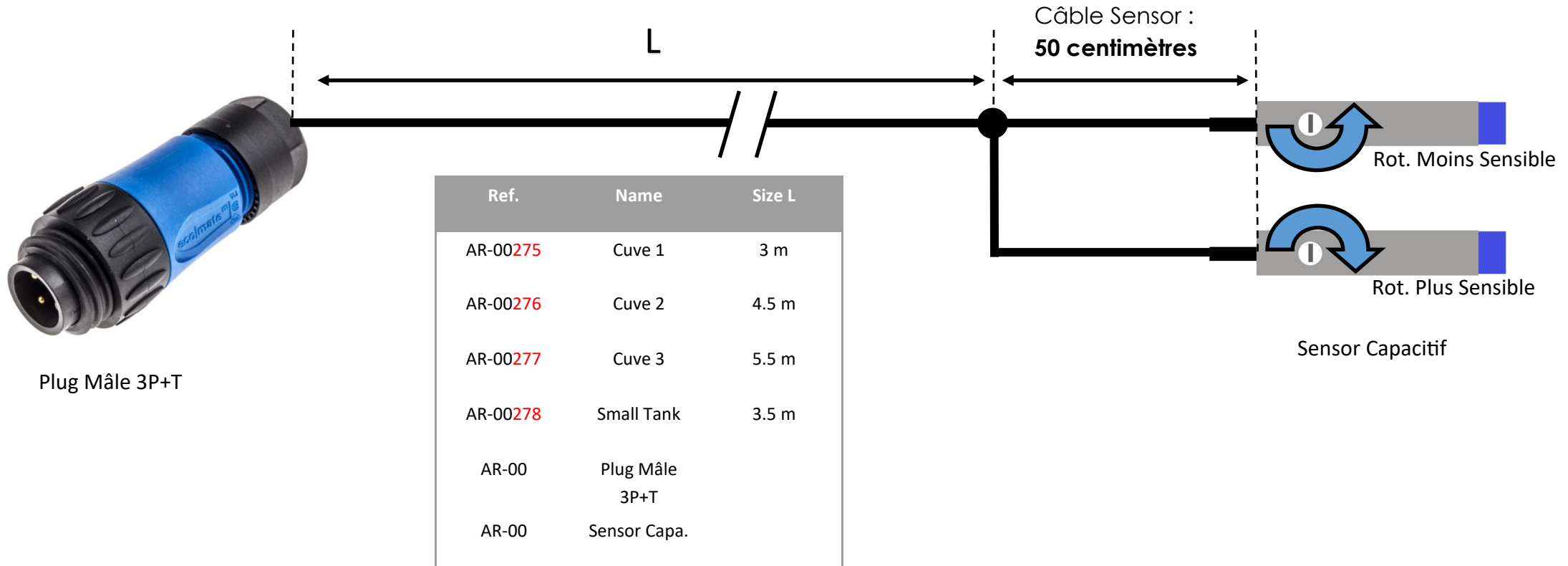
# Connections Sensors



- - Tank bottom 1 : **Ref-AR00275**
- - Tank bottom 2 : **Ref- AR00276**
- - Tank bottom 3 : **Ref- AR00277**
- - Tank bottom Small Tank : **Ref- AR00278**
- - Sensor inductive Turbine : **Ref- AR00279**
- - GPS : **Ref- AR00280**
- - ON/OFF : **Ref- AR00281**
- - Box Jallonage : **Ref-AR00281**
- - Sensors Power wire : **Ref-AR00312**



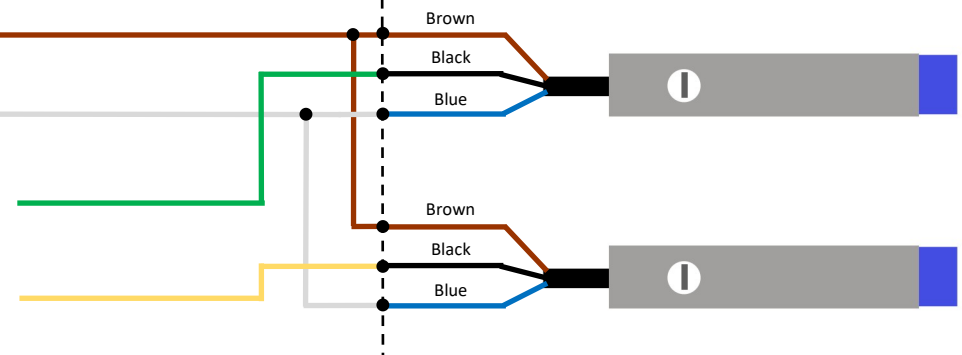


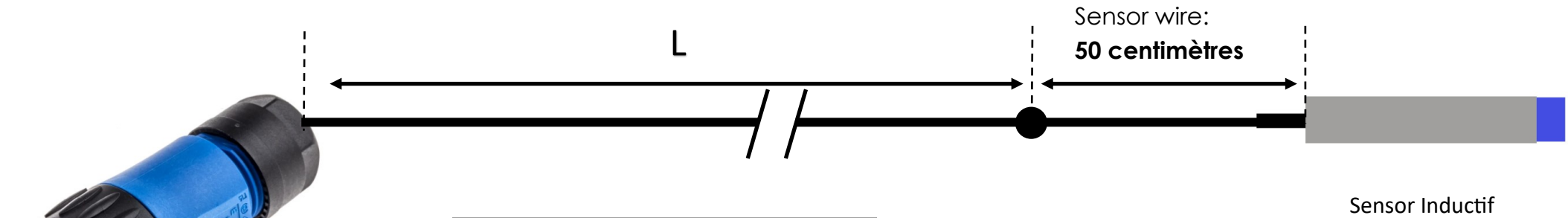


- Brown** - +12v
- White** - GND
- Green** - Signal Encoder Up
- Yellow** - Signal Encoder

Câble Faisceau

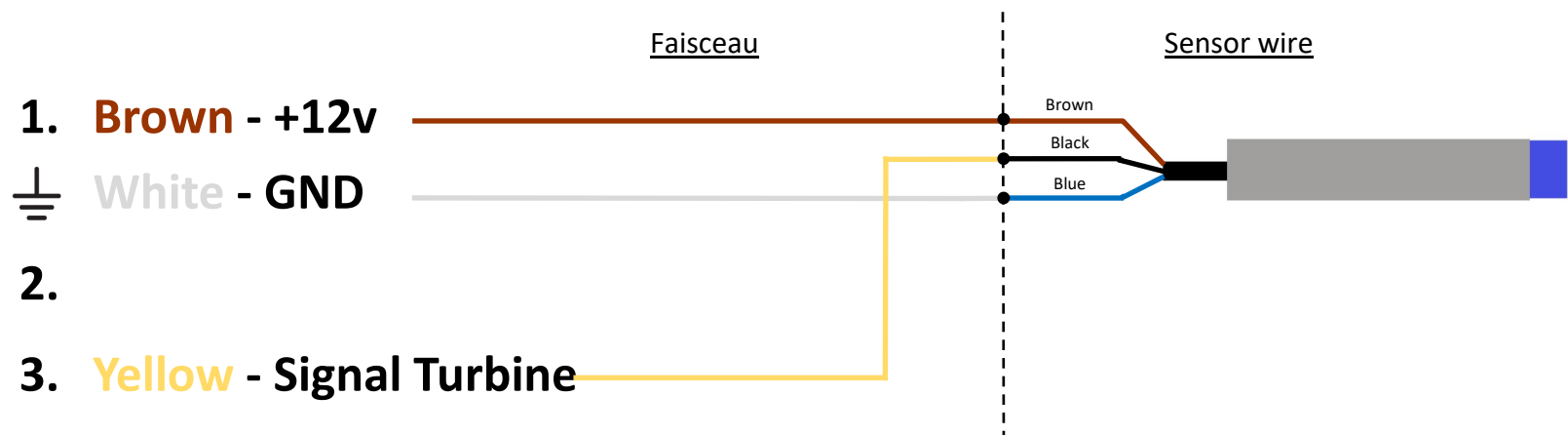
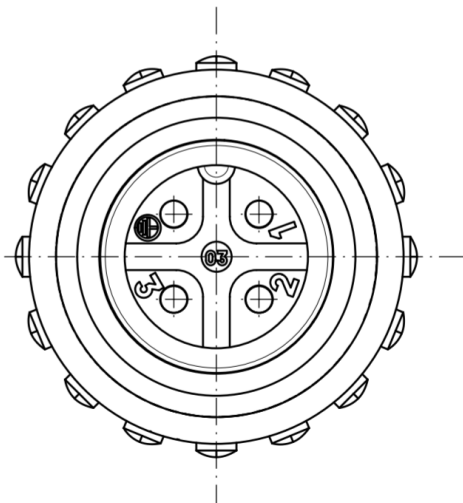
Câble Sensor

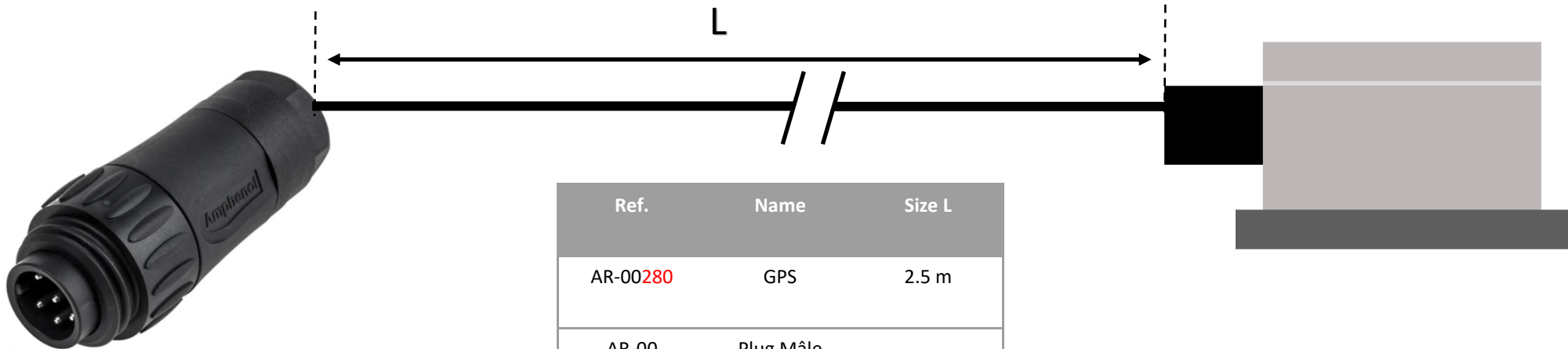




Ref.	Name	Size L
AR-00279	Sens.Fan	6.5 m
AR-00	Plug Mâle 3P+T	
AR-00	Sensor Induc.	

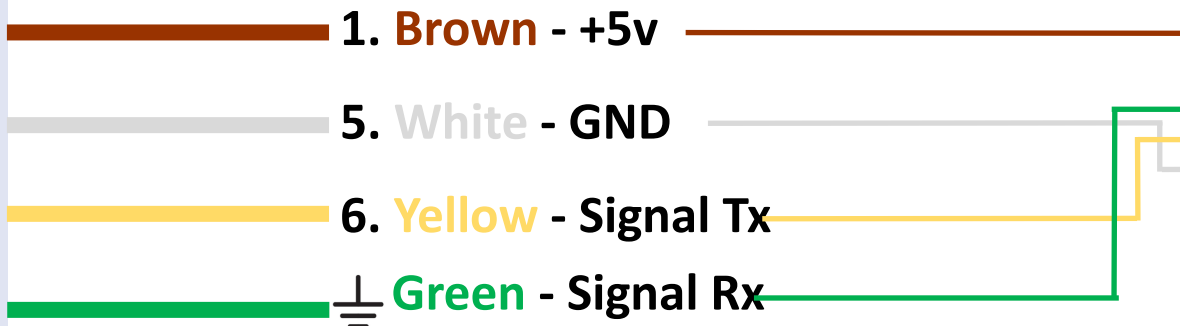
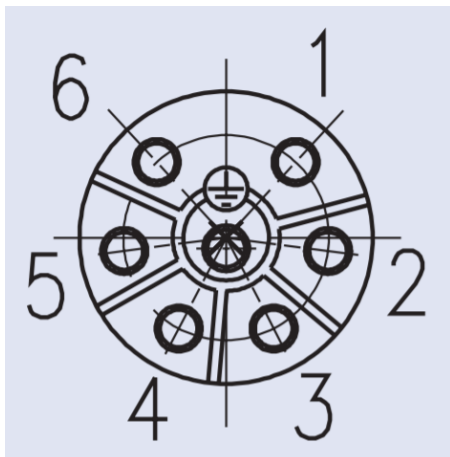
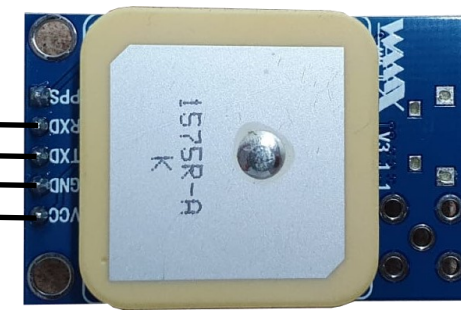
Plug Mâle 3P+T

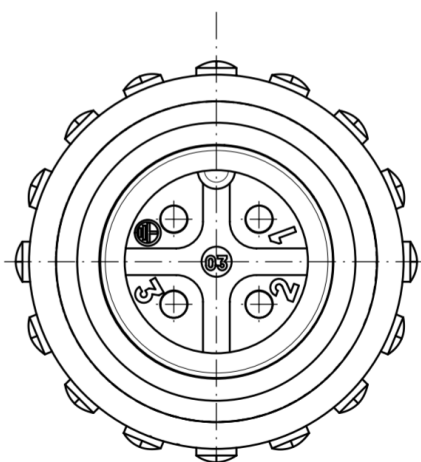
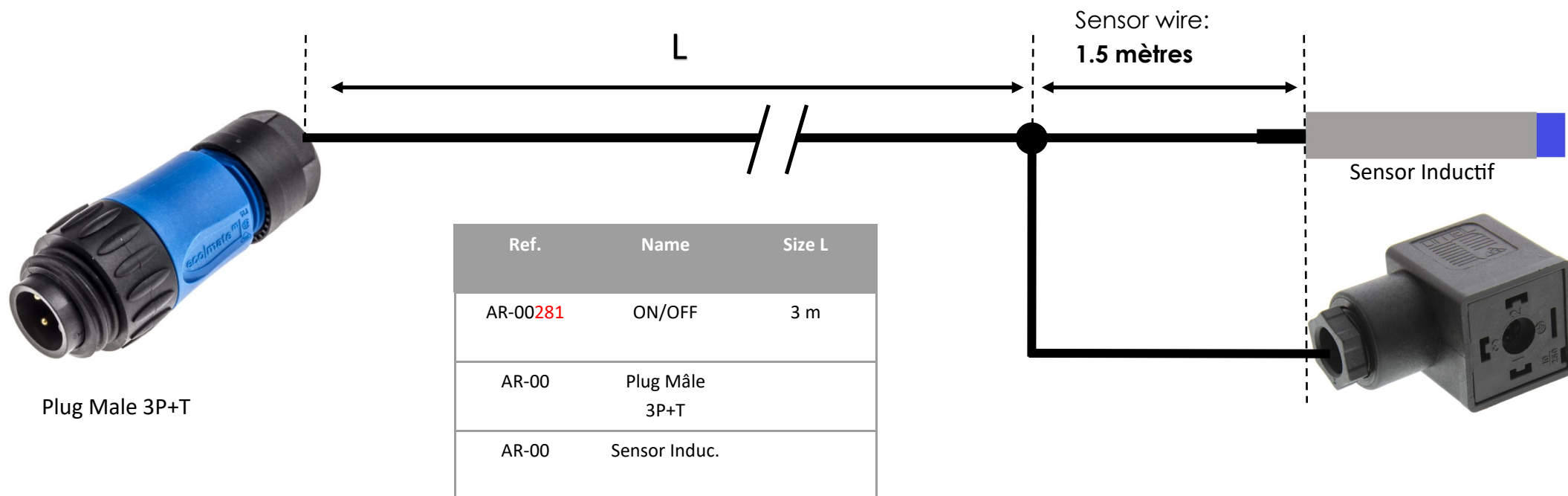




Ref.	Name	Size L
AR-00 <b>280</b>	GPS	2.5 m
AR-00	Plug Mâle 6P+T	

Plug Mâle 6P+T

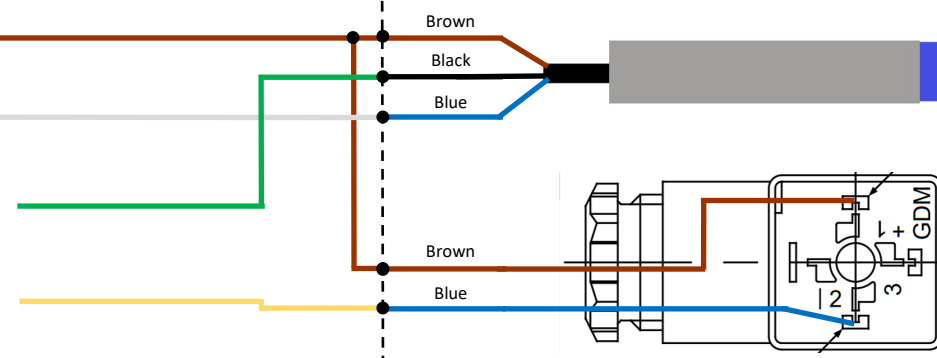

**1. Brown - +5v**
**5. White - GND**
**6. Yellow - Signal Tx**
**⊥ Green - Signal Rx**


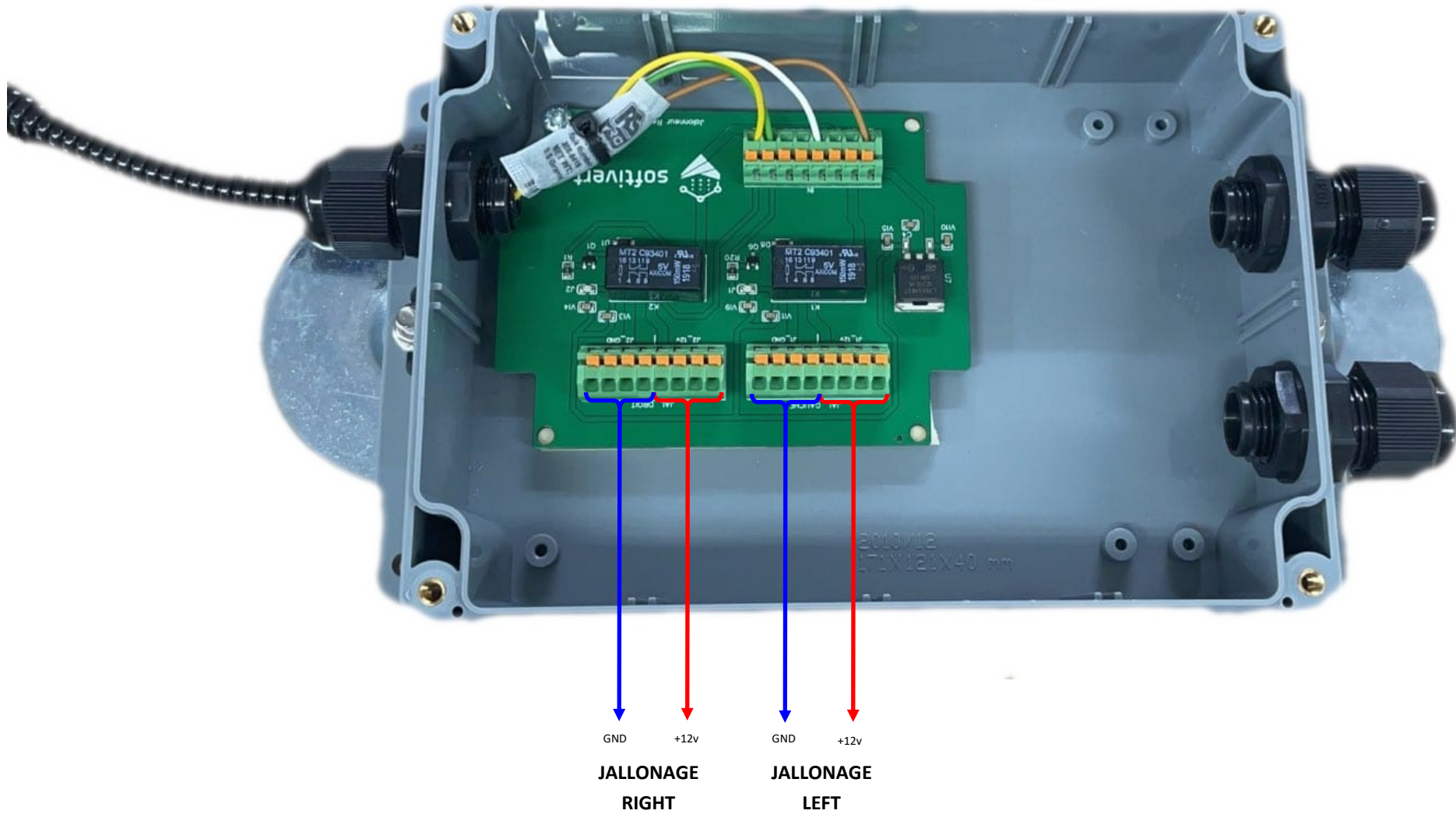


- Brown** - +12v
- White** - GND
- Green** - Signal Capt. Inductif
- Yellow** - Signal Sens. Press

Faisceau wire

Sensor wire

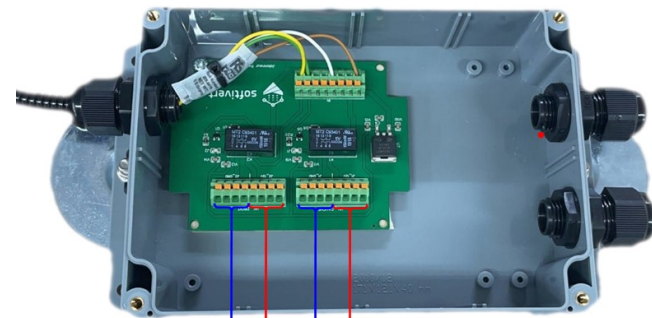
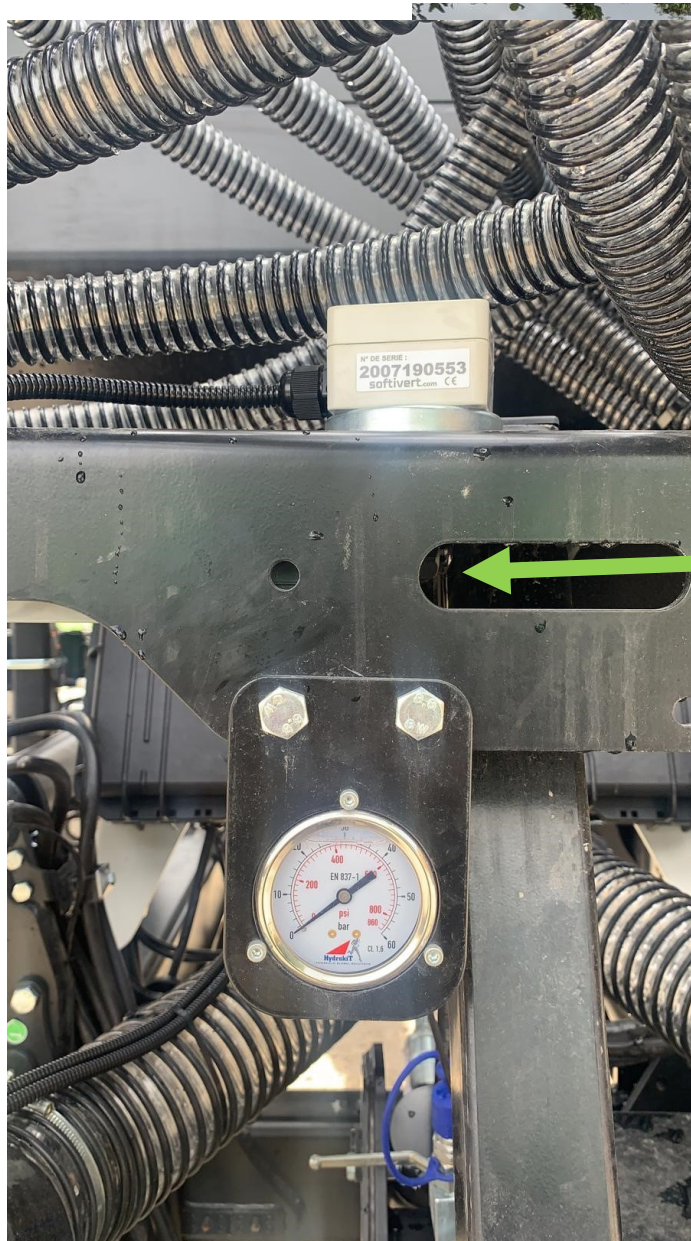






# Box Jallonage

24/08/2021

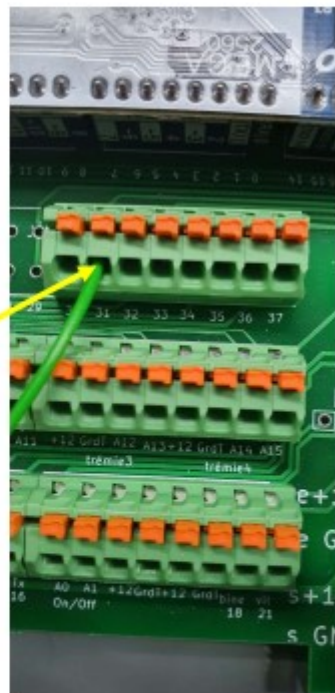


JALLONAGE DROIT  
JALLONAGE GAUCHE



Light Box  
Ref- AR00390

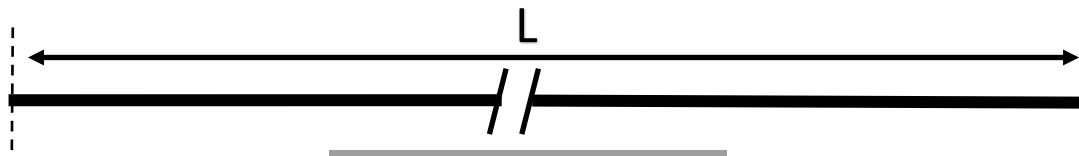
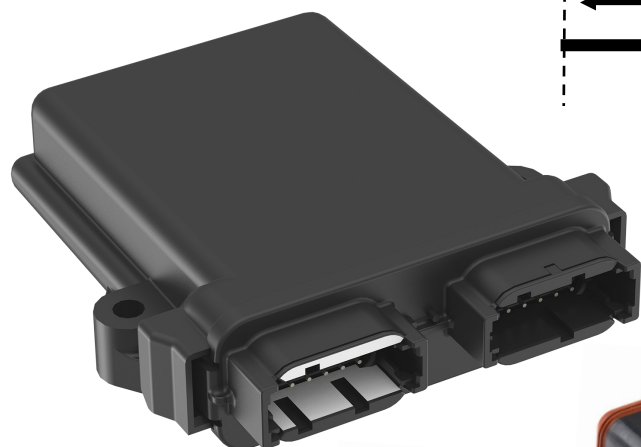
24/08/2021



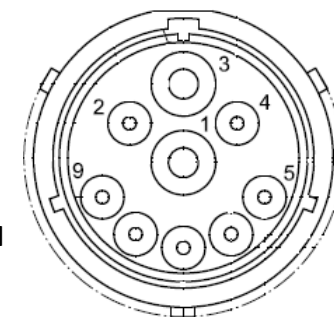
## IsoSection automatic cut-off drill

Ref- AR00397

24/08/2021



Ref.	Name	L
AR-00397	IsoSection	5m



ON/OFF wire connection

AR00281



- 3. White - GND
- 4. Brown - +12v
- 6. Yellow - Can ISO H
- 7. Green - Can ISO L
- 9. Brown - +12v
- 10. White - GND

- 8. General valve (on/off)
- 5. Tronçon 1

3. Brown - + 12v

1. White - GND

5. Green - Can ISO L

6. Yellow - Can ISO H

1. Brown - +12v

White - GND

2. Green - Signal  
Sens.Inductif

3. Yellow - Signal Sens.Press

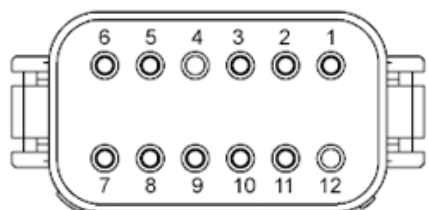
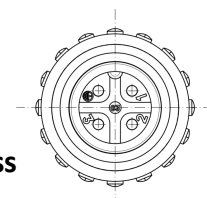
Suitcase ON/OFF connection

1. Brown - +12v

White - GND

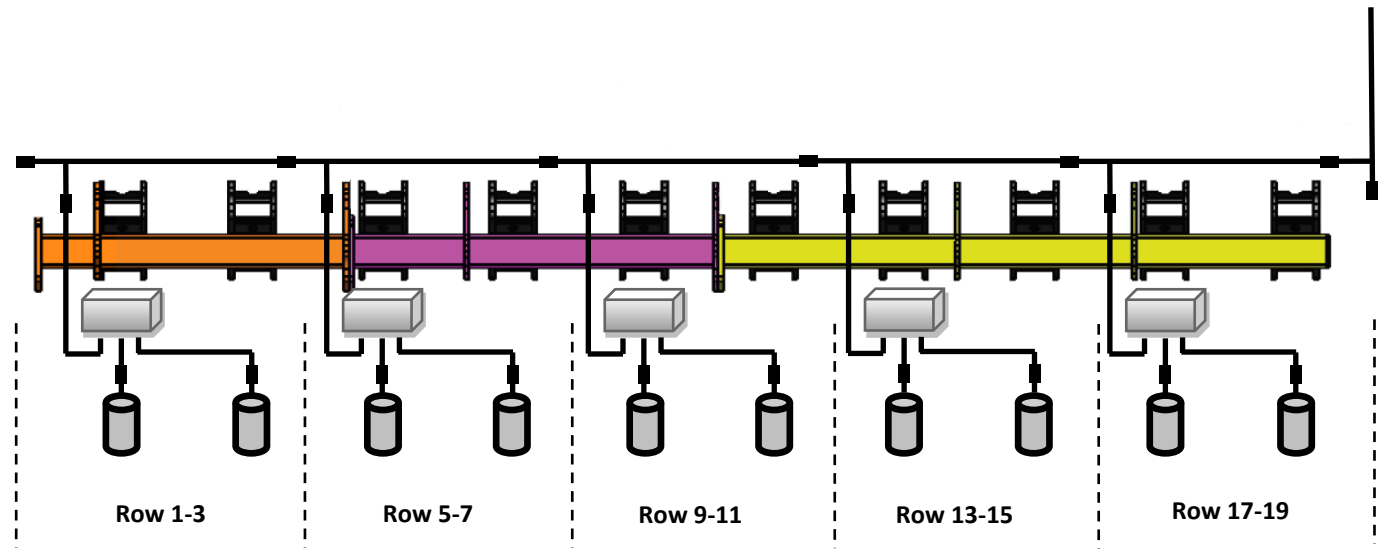
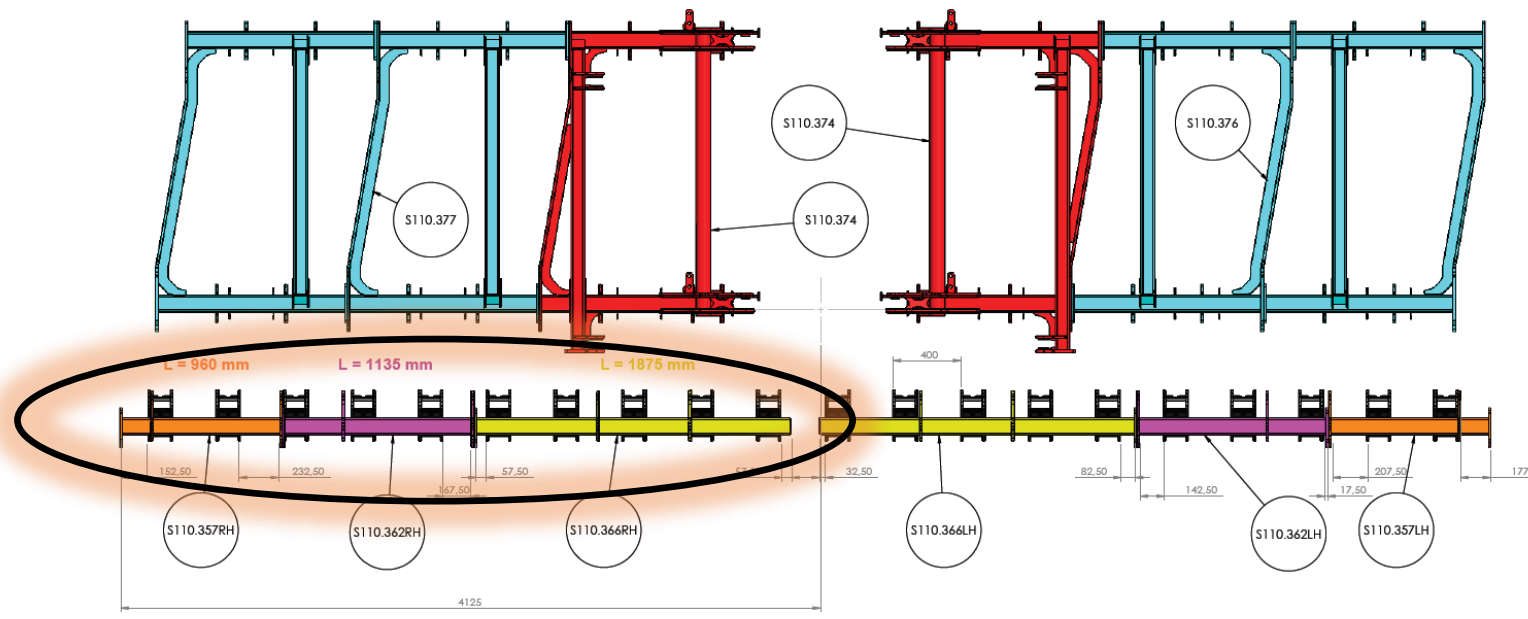
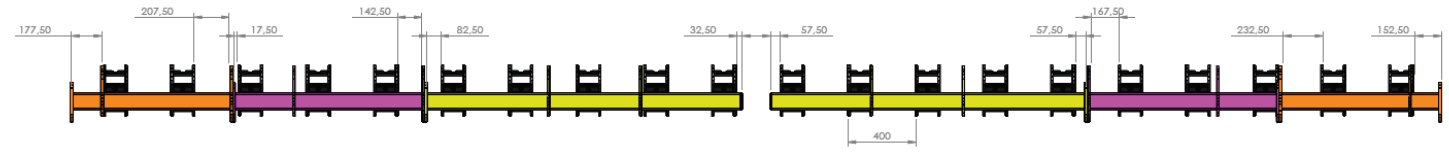
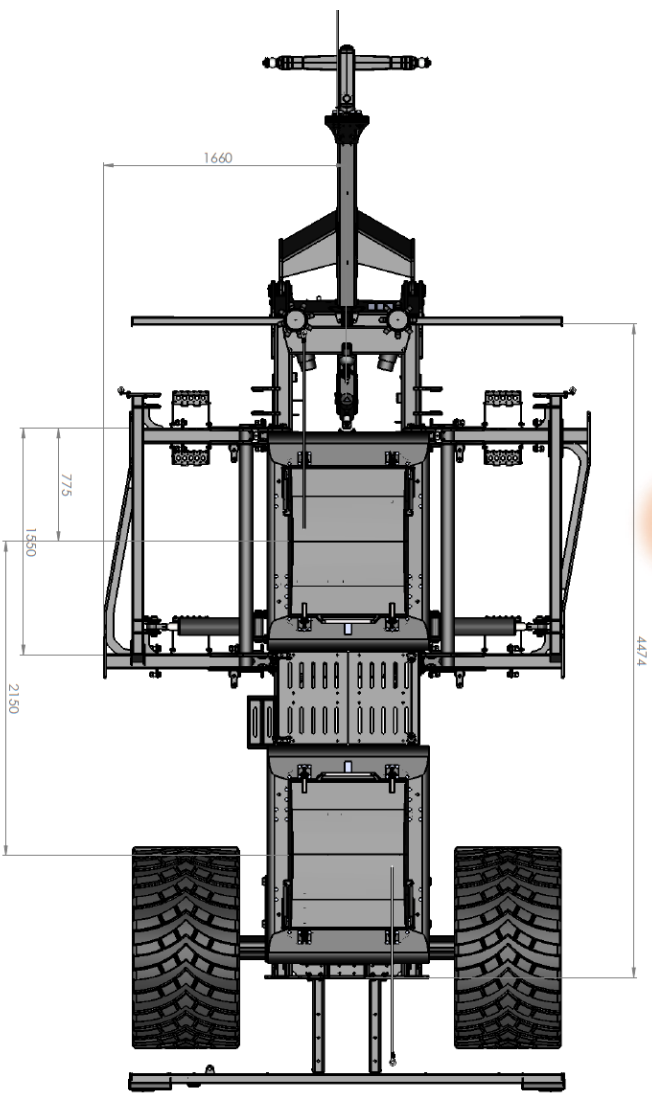
2. Green - Signal Sens.Inductif

3. Yellow - Signal Sens.Press



Sensors grain pass  
Installation sur un semoir

24/08/2021



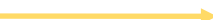






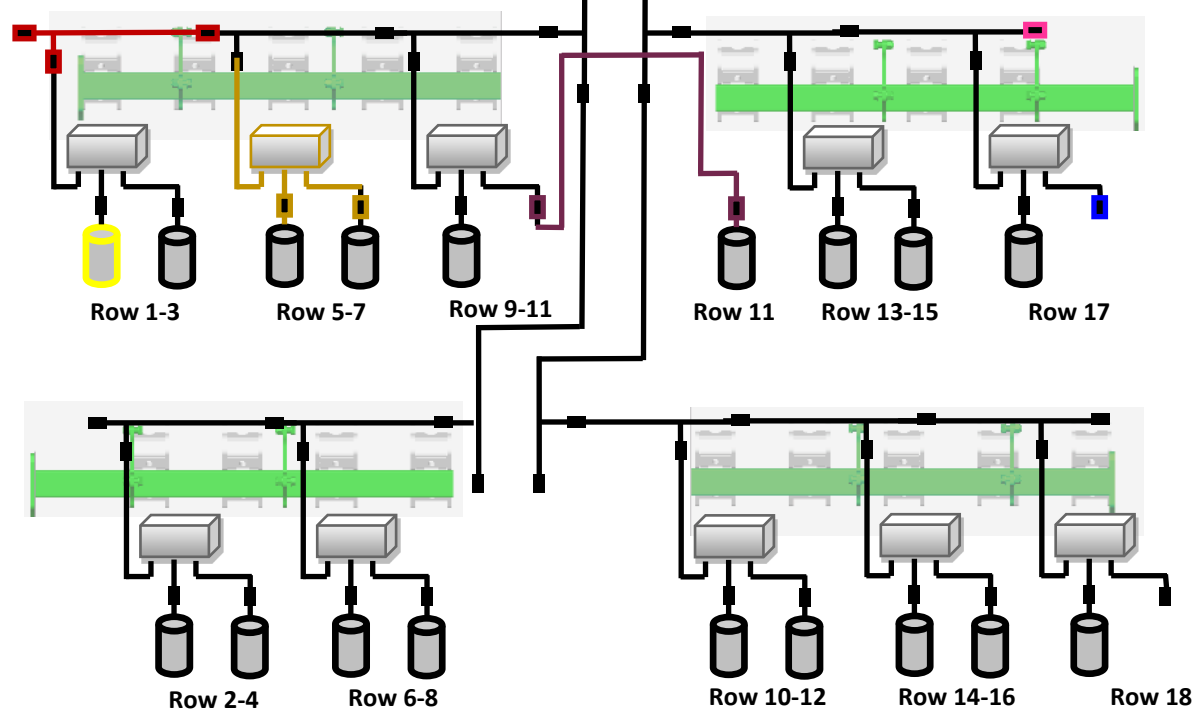


## Installation Sensors de grains

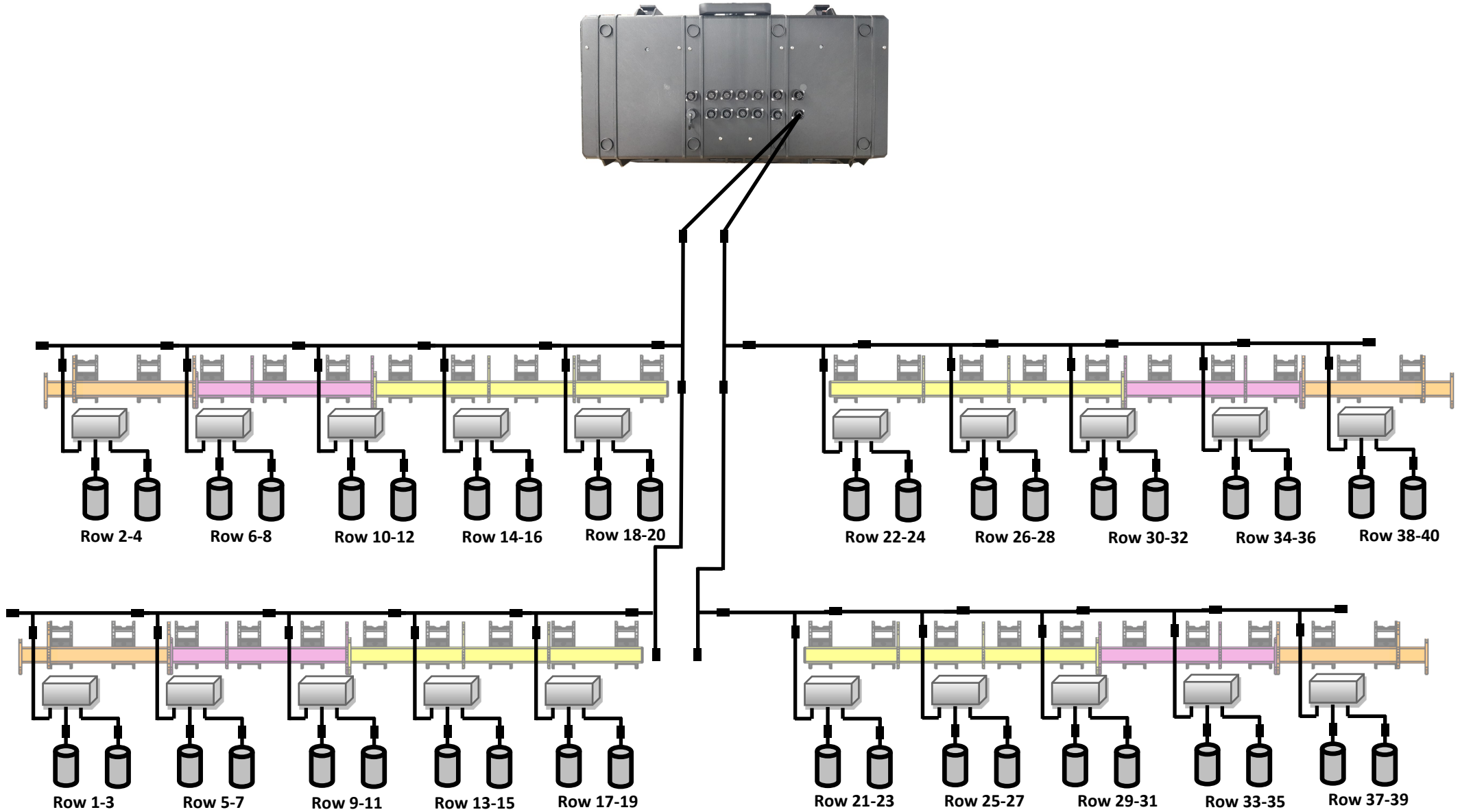
## Installation sur un semoir avec Namebre de Rows Impair

24/08/2021

-  - Power wire Y Suitcase to Sensor : **Ref-AR00312**
-  - Sensor power wire : **Ref- AR00310**
-  - Controller box for 2 Sensors grain: **Ref- AR00309**
-  - Ectension 5m Sensor wire : **Ref- AR00313**
-  - Sensor grain pass : **Ref- AR00307**
-  - Ligne stopper Sensor mâle 2p : **Ref- AR00395**
-  - Ligne stopper Sensor mâle 3p : **Ref- AR00396**



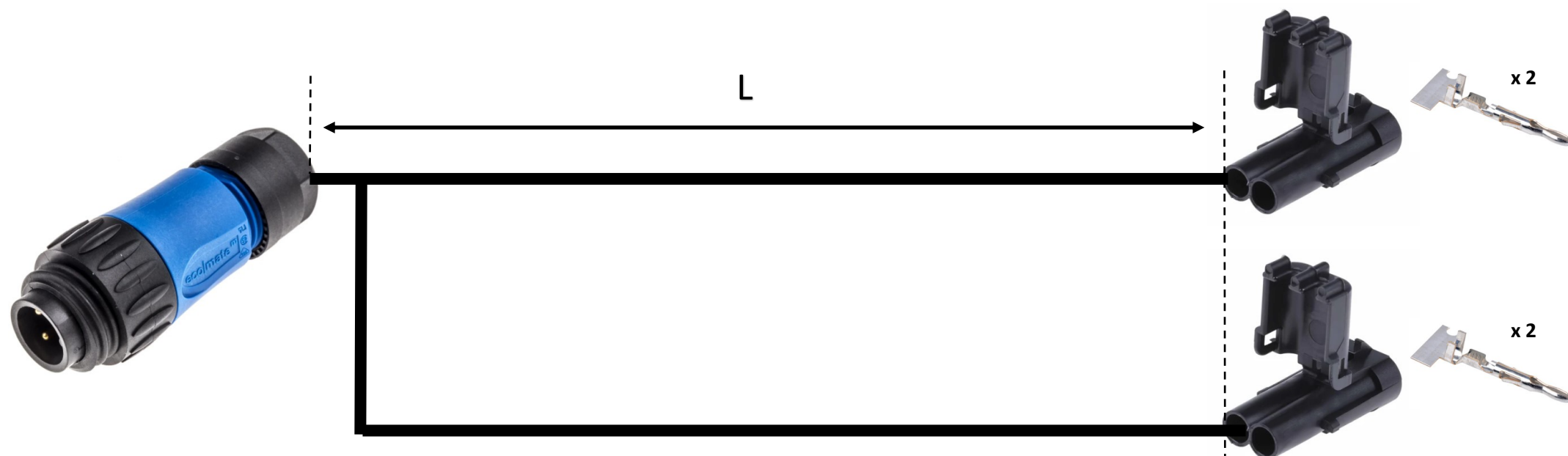
# Sensors Installation on a pair seed drill



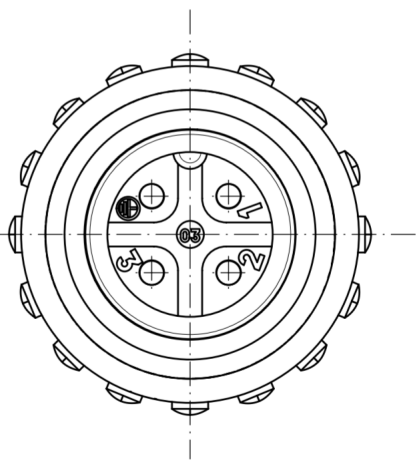
## Power wire Y Suitcase to Sensors wire

Ref- AR00312

24/08/2021



Ref.	Name	Size L
AR-00312	Wire power Y	1 m
AR-00	Plug Mâle 3P+T	

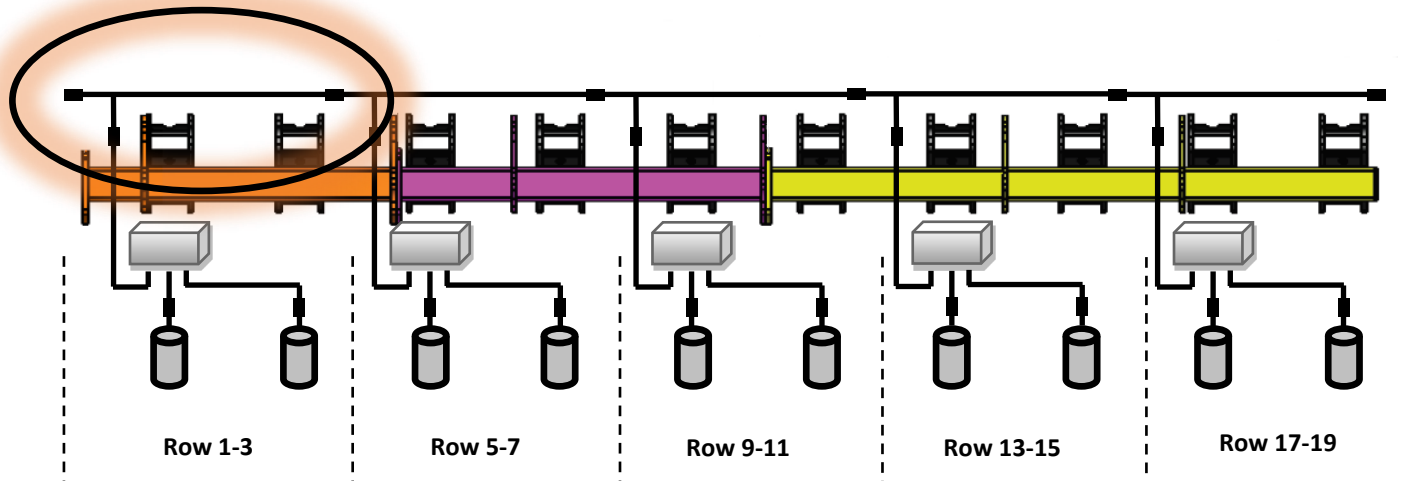
Faisceau1. **Brown** - +12v
 **Blue** - GND
A. **Brown** - 12VB. **Blue** - GND



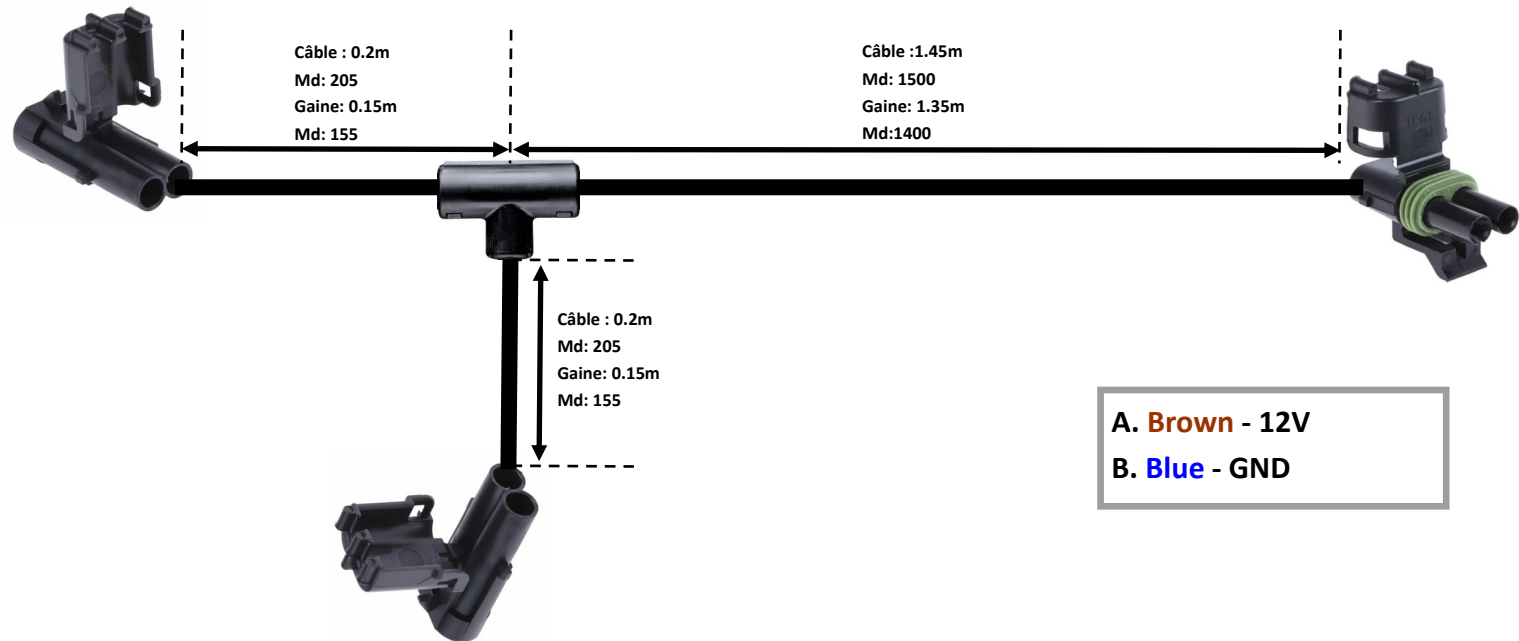
# Sensors power wire

Ref- AR00310

24/08/2021

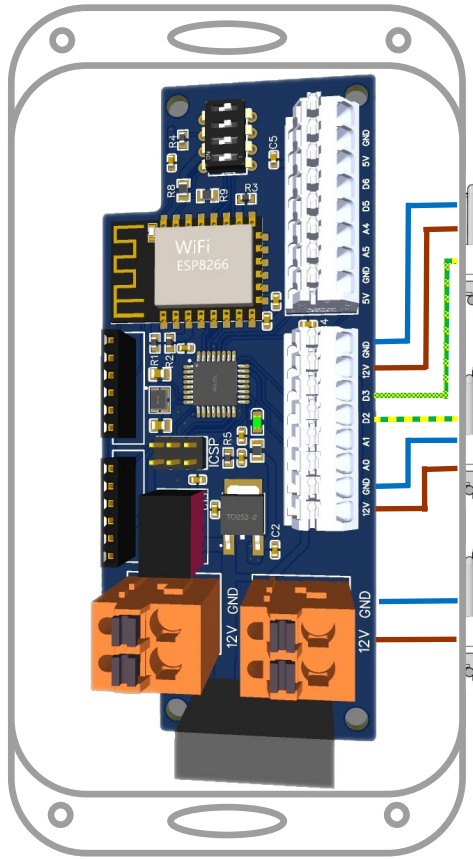
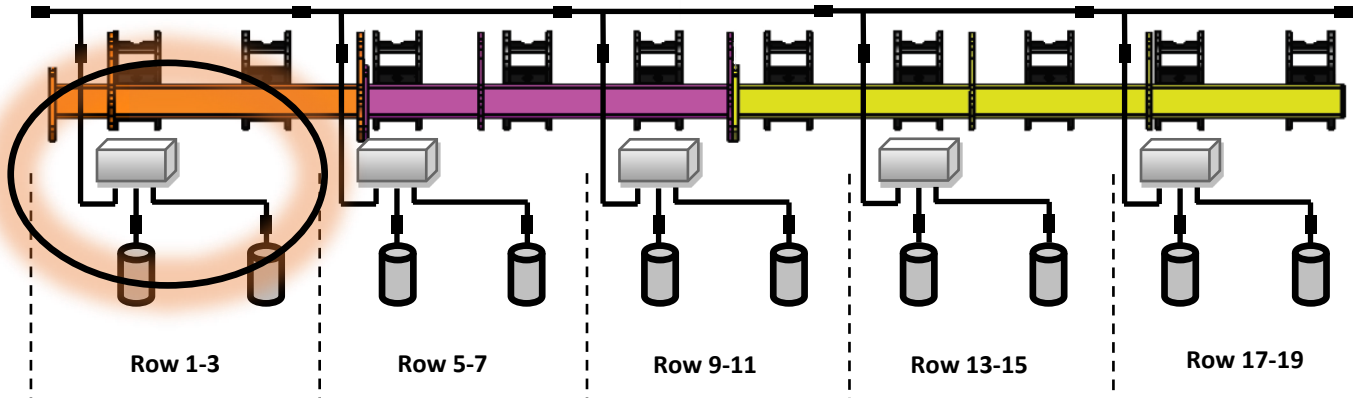


**Line stopper**  
Ref- AR00395



# Controller box for 2 Sensors grain

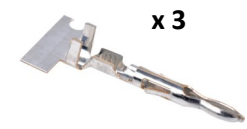
Ref- AR00309



L

1.3m

- A. Yellow/Green- Signal D3
- B. Blue - GND
- C. Brown - 12V



0.3m

- A. Yellow/Green- Signal D3
- B. Blue - GND
- C. Brown - 12V



0.7m

- A. Brown - 12V
- B. Blue - GND





- A. **Yellow/Green**- Signal
- B. **Blue** - GND
- C. **Brown** - 12V