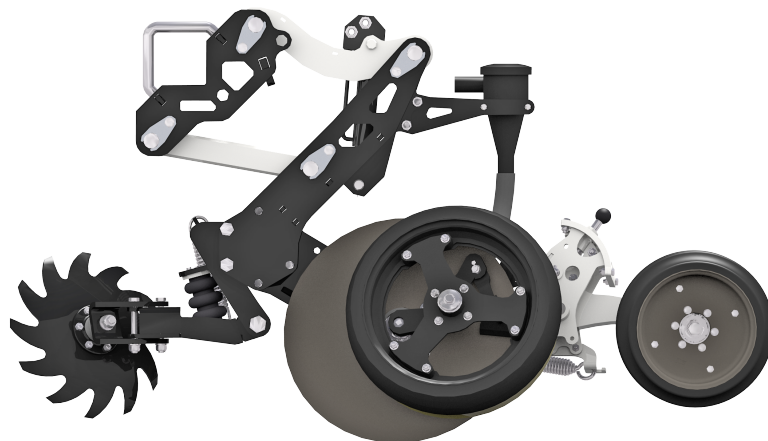




---

## CATALOGUE DE PIÈCES





# SOMMAIRE

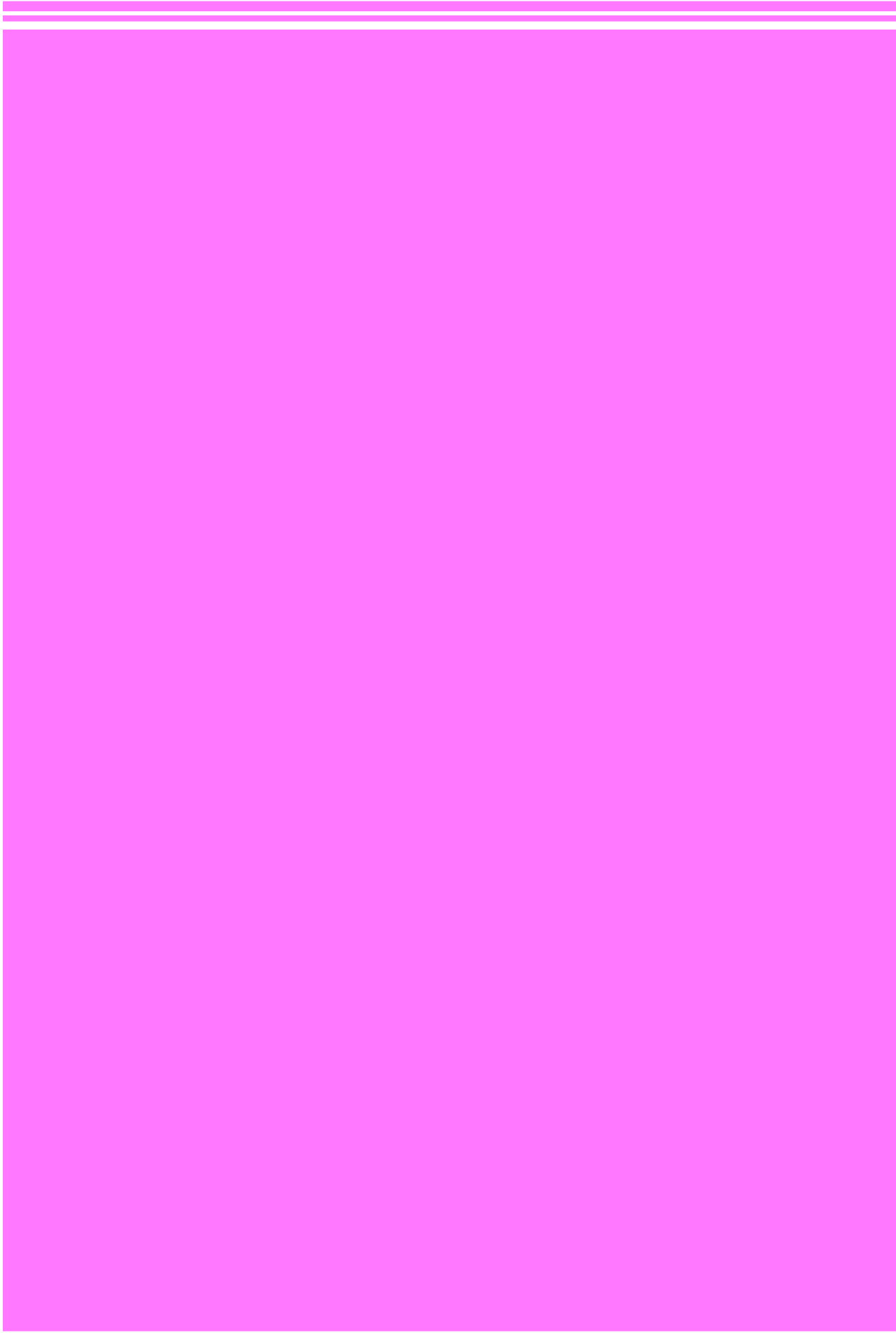
S111.954	CHASSIS + ESSIEUX + TIMON.....	3
S110.963	TIMON.....	5
S111.914	CHASSIS + AILES.....	7
S110.956	AILE LH.....	9
S110.958	AILE RH.....	11
S110.959	EXTENSION AILE LH.....	13
S110.960	EXTENSION AILE RH.....	15
	TOOLBAR.....	17
S111.164	DISTRIBUTION.....	19
S106.920RH	TRACEUR RH + SUPPORT.....	21
S106.920LH	TRACEUR LH + SUPPORT.....	23
S113.176RH/LH	SIGNALISATION LH/RH.....	25
S113.174	RAMPE DE FEUX.....	27
S112.796	SUPPORT 3PTS.....	29
S112.403	SYSTEME DE REGULATION.....	31
S113.625	CETOP.....	33
S111.958	CONFIGURATION SIMPLE TREMIE.....	35
S111.962	CONFIGURATION DOUBLE TREMIE.....	37
S111.963	CONFIGURATION TRIPLE TREMIE.....	39
S112.118	PLATEFORME TRIPLE TREMIE.....	41
S110.910	TREMIE 2000L PARTIE BASSE.....	43
S110.910	TREMIE 2000L PARTIE HAUTE.....	45
S114.081	TURBINE + SUPPORT.....	47
S110.528	DOSEUR.....	49
S110.601	ROTOR DOSEUR.....	51
S112.921	BOITE A CLAPET.....	65
S112.860	TREMIE PETITE GRAINES.....	67
S112.725	CUVE PETITE GRAINES 280L.....	69
S112.861	DOSEUR PETITE GRAINES.....	71
S111.263RH	ELEMENT BOSS RH.....	73
S110.063RH	ELEMENT SEMEUR RH.....	75
S113.272RH	SOC RH.....	81
S112.351RH	ROUE LATERALE RH.....	83
S111.444RH	CYCLONE RH.....	85
S111.932RH	ROUE DE RAPPUI RH.....	87
S111.207RH	CHASSE DEBRIS RH.....	89
S112.201RH	REGLAGE ROUE LATERALE RH.....	91
S111.263LH	ELEMENT BOSS LH.....	93
S110.063LH	ELEMENT SEMEUR LH.....	95
S107.439	MOYEU + DISQUE.....	101

S113.272LH	SOC LH.....	103
S111.224LH	ROUE LATÉRALE LH.....	105
111.444LH	CYCLONE LH.....	107
S111.932LH	ROUE DE RAPPUI LH.....	109
S111.207LH	CHASSE DÉBRIS LH.....	111
S112.201LH	RÉGLAGE ROUE LATÉRALE LH.....	113
S113.725RH/LH	ECLATEUR PETITES GRAINES.....	115
SCHEMA HYDRAULIQUE SUSPENSION TIMON.....		117
SCHEMA HYDRAULIQUE CIRCUIT FREINAGE.....		119
SCHEMA HYDRAULIQUE CIRCUIT ÉLÉMENT.....		121
SCHEMA HYDRAULIQUE RPLIAGE + TURBINE.....		123



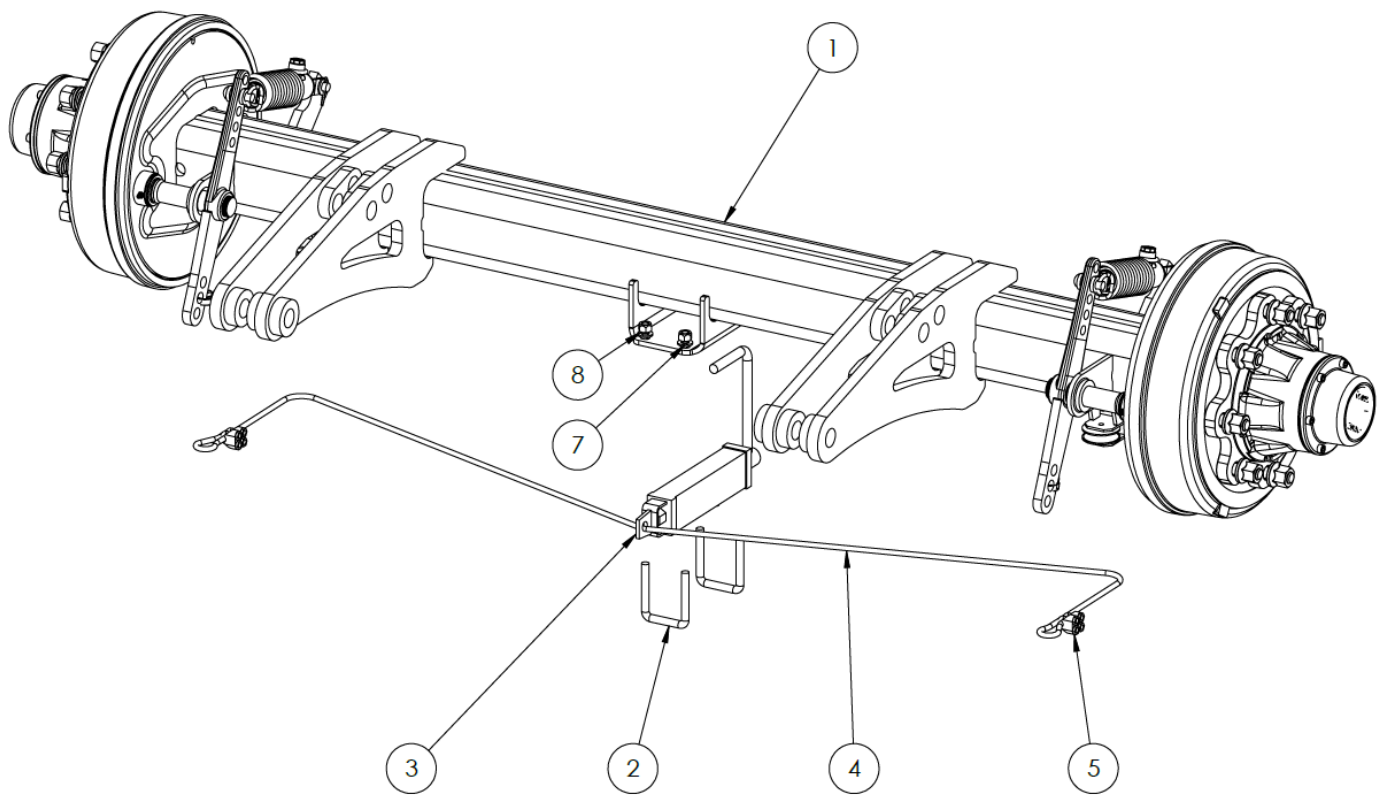
# CHASSIS BOSS





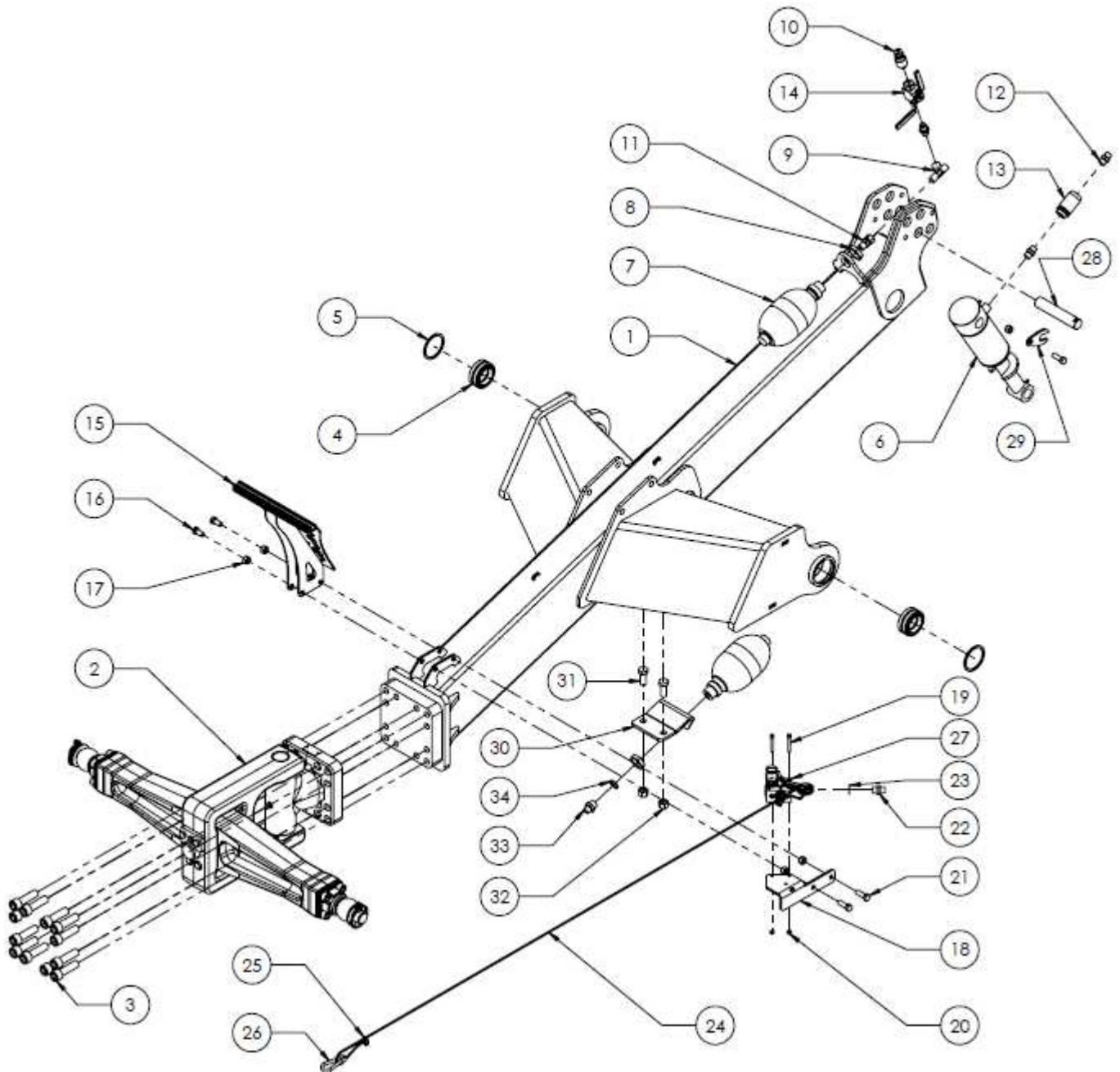
<b>S111.954</b>	<b>CHASSIS + ESSIEUX + TIMON</b>	<b>FR</b>	<b>07/2019</b>
-----------------	----------------------------------	-----------	----------------

<b>No. ARTICLE</b>	<b>NUMERO DE PIECE</b>	<b>DESCRIPTION</b>	<b>QTE</b>	<b>TARIF</b>
1	S110.566	CHASSIS CENTRAL	1	
2	S107.512	ROTULE Ø50	4	
3	S107.513	CIRCLIP INT Ø75 ZN	4	
4	S101.588	AXE Ø32x125mm ZN	4	
5	S103.580	GOUPILLE FERMETURE A RESSORT Ø10x55mm	6	
6	S111.913	BOULON M30x200 ZN	2	
7	S107.981	ECROU HEX FREIN M30 ZN	4	
8	S110.439	BEQUILLE MANUELLE	2	
9	S100.486	BOULON M20x150 ZN	2	
10	S102.599	AXE Ø19x127mm	2	
11	S100.275	ECROU HEX FREIN M20 ZN	2	
12	S110.082	AXE Ø50x145mm	1	
13	S100.276	ECROU HEX FREIN M16 ZN	2	
14	S107.784	PLAQUE FIXATION AXE Ø50mm	2	
15	S100.476	BOULON M16x55 ZN	2	
16	S107.811	GRAISSEUR M8 DROIT	2	
17	S110.106	AXE Ø30x110mm	1	
18	S100.279	ECROU HEX FREIN M12 ZN	1	
19	S109.981	PLAQUE	1	
20	S100.267	BOULON M12x35 ZN	1	
21	S110.963	TIMON COMPLET	1	
22	S110.083	BAGUE Ø51Ø70E15	6	
23	S110.871	ESSIEU AVEC SUPPORT COMPLET	1	
24	S110.878	BOULON M30x160 ZN	2	
25	S103.602	RONDELLE PLATE Ø30 ZN	4	
26	S110.879	BOULON M30x140 ZN	2	
27	S108.476	ROUE 710/50R26.5	2	
28	S107.657	ROUE 500/60R22.5	2	



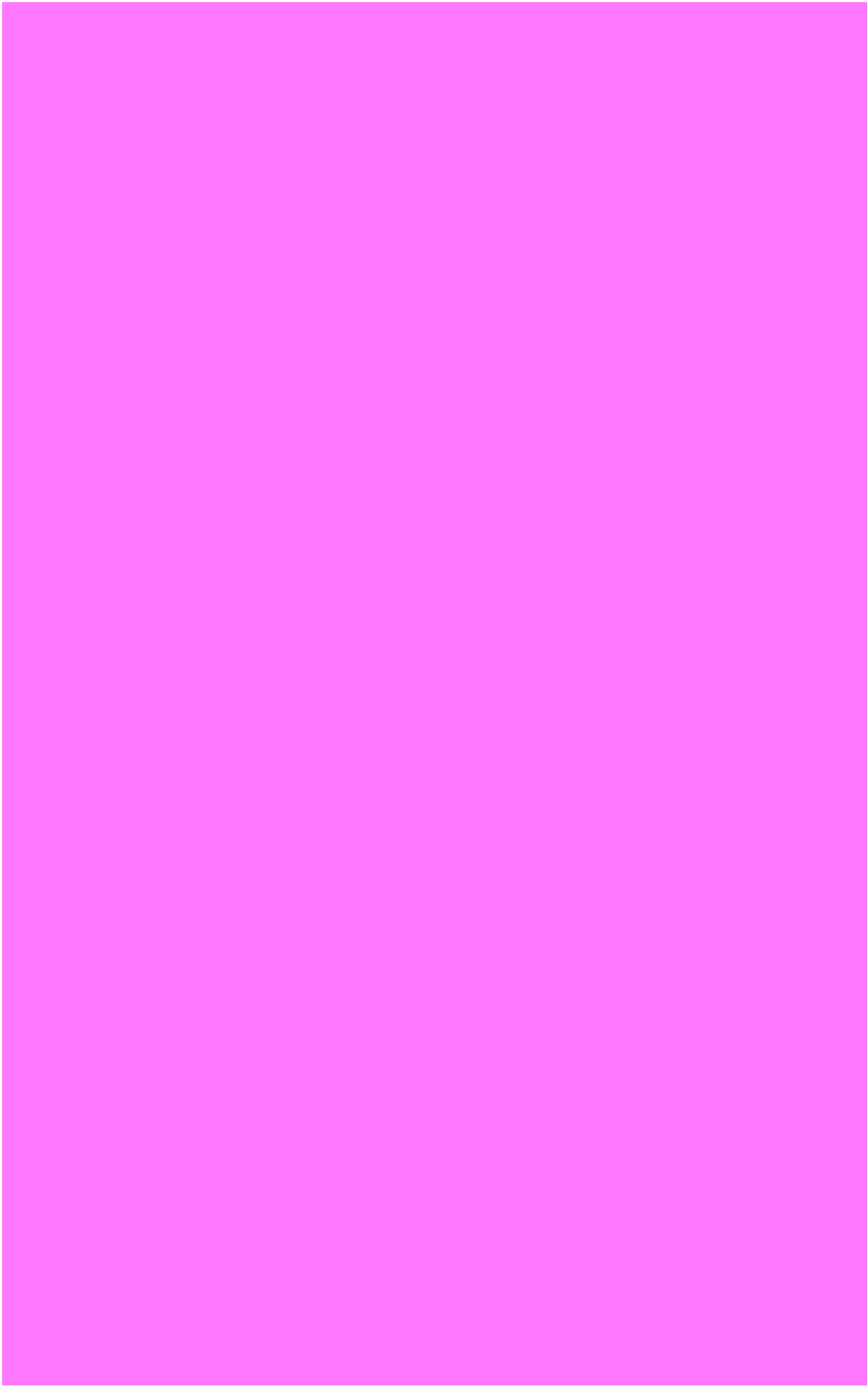
<b>S110.871</b>	<b>ESSIEU</b>	<b>FR</b>	<b>07/2019</b>
-----------------	---------------	-----------	----------------

<b>No. ARTICLE</b>	<b>NUMERO DE PIECE</b>	<b>DESCRIPTION</b>	<b>QTE</b>	<b>TARIF</b>
1	S110.604	ESSIEU AVEC SUPPORT	1	
2	S100.310	BRIDE 60x60 M12	2	
3	S110.856	FREIN A MAIN	1	
4	S110.874	CABLE DE FREIN A MAIN BOSS	1	
5	S110.872	SERRE-CABLE 8mm	4	
6	S110.860	COSSE COEUR Ø8	2	
7	S100.285	RONDELLE PLATE Ø12	4	
8	S100.279	ECROU HEX FREIN M12 ZN	4	



<b>S110.963</b>	<b>TIMON</b>	<b>FR</b>	<b>07/2019</b>
-----------------	--------------	-----------	----------------

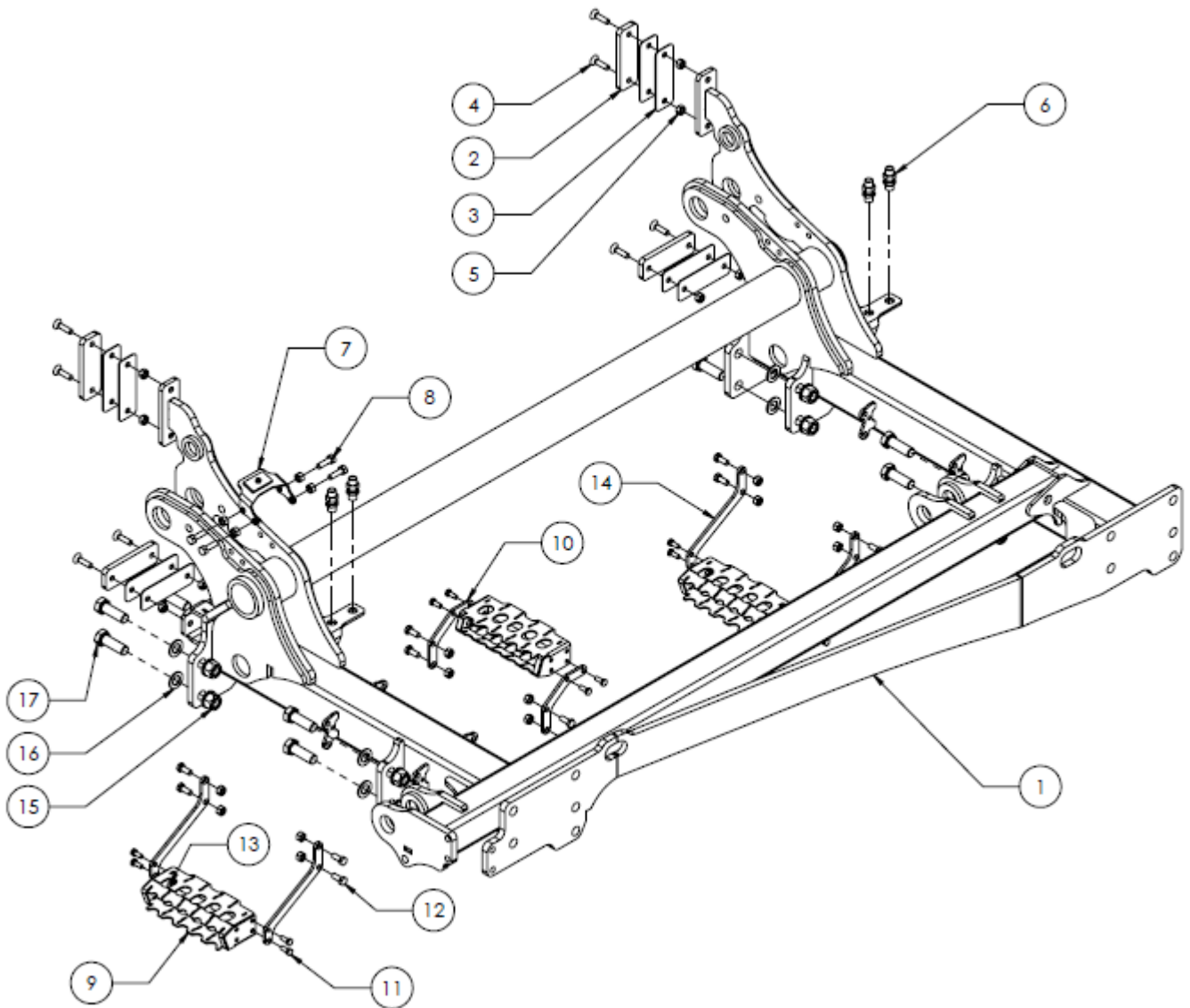
<b>No. ARTICLE</b>	<b>NUMERO DE PIECE</b>	<b>DESCRIPTION</b>	<b>QTE</b>	<b>TARIF</b>
1	S110.605	TIMON	1	
2	S109.282	ATTELAGE 3PTS CAT.3 12xM20	1	
3	S110.964	BOULON CHC M20x70 10.9 ZN	12	
4	S107.512	ROTULE Ø50	2	
5	S107.513	CIRCLIP INT Ø75 ZN	2	
6	S110.013	VERINØ80Ø40S100 AVEC LIMITEUR ED COURSE	1	
7	S110.989	ACCUMULATEUR 0.7l 60bar	2	
8	S100.331	ECROU M33x2mm	2	
9	S103.095	TE M/F/M 3/8" BSP	1	
10	S110.491	PUSH PULL MALE MALE	1	
11	S111.012	ADAPTATEUR MALE - FEMELLE 3/8BSP - 18x1.5mm	1	
12	S101.951	ADAPTATEUR MALE - MALE 3/8BSP - M18x1.5mm	3	
13	S110.487	LIMITEUR DE DEBIT REGLABLE	1	
14	S101.971	VALVE 3/8 BSP	1	
15	S111.591	SUPPORT HYDRAULIQUE	1	
16	S100.495	BOULON M12x25 ZN	2	
17	S100.279	ECROU HEX FREIN M12 ZN	5	
18	S112.993	PLATINE BOITIER FREINAGE URGENCE	1	
19	S100.506	BOULON CHC M6x50 ZN	2	
20	S107.400	ECROU HEX FREIN M6 ZN	2	
21	S100.267	BOULON M12x35 ZN	3	
22	S101.952	ADAPTATEUR MALE - MALE 3/8BSP - 3/8BSP	3	
23	S100.430	JOINT HYDRAULIQUE Ø19mm	3	
24	S113.148	CABLE ACIER REVETEMENT PVC 3/4mm L2.3m	1	
25	S102.193	SERRE-CABLE 5mm	2	
26	S106.635	MOUSQUETON 80X8	1	
27	S113.327	VALVE FREIN URGENCE	1	
28	S109.982	AXE Ø30x156mm	1	
29	S109.981	PLAQUE	1	
30	S113.208	SUPPORT BOULE D'AZOTE	1	
31	S100.501	BOULON M16x40 ZN	2	
32	S100.276	ECROU HEX FREIN M16 ZN	2	
33	S112.437	ADAPTATEUR MALE - MALE 1/2BSP - 3/8BSP	1	
34	S102.322	JOINT HYDRAULIQUE 1/2"	1	





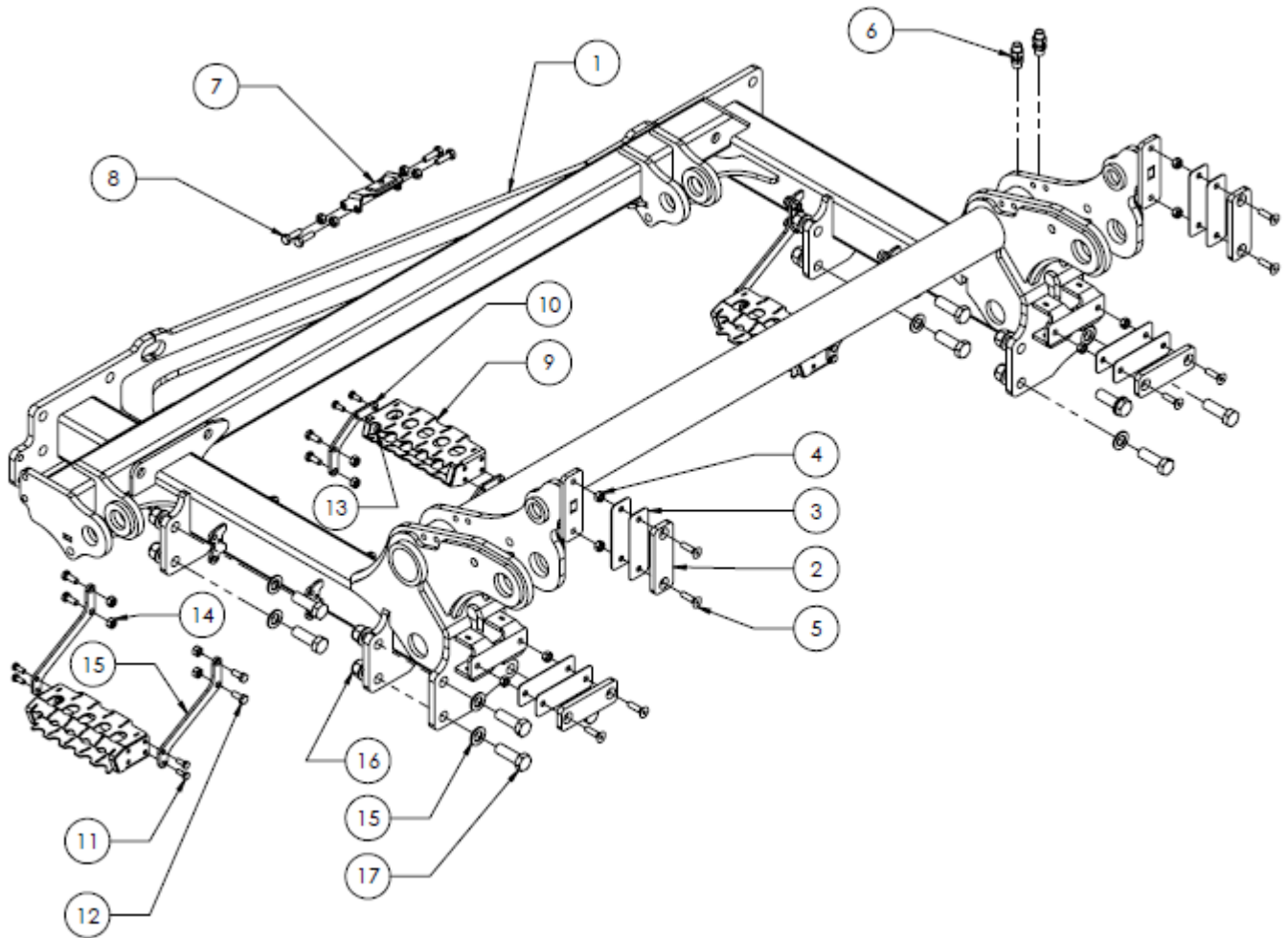
<b>S111.914</b>	<b>CHASSIS + AILES</b>	<b>FR</b>	<b>07/2019</b>
-----------------	------------------------	-----------	----------------

<b>No. ARTICLE</b>	<b>NUMERO DE PIECE</b>	<b>DESCRIPTION</b>	<b>QTE</b>	<b>TARIF</b>
1	S111.954	CHASSIS + ESSIEU + TIMON	1	
2	S110.956	AILE L3300 LH COMPLETE	1	
3	S110.958	AILE L3300 RH COMPLETE	1	
4	S109.954	VERIN Ø100Ø50S400 ADJUSTABLE	2	
5	S111.166	PLATINE SUPPORT CABLE AILE	2	
6	S111.165	ANNEAU DE LEVAGE M8	2	
7	S100.280	ECROU HEX FREIN M8 ZN	2	
8	S100.279	ECROU HEX FREIN M12 ZN	8	
9	S100.267	BOULON M12x35 ZN	4	
10	S110.082	AXE Ø50x145mm	4	
11	S100.276	ECROU HEX FREIN M16 ZN	14	
12	S107.784	PLAQUE FIXATION AXE Ø50mm	8	
13	S100.476	BOULON M16x55 ZN	8	
14	S107.811	GRAISSEUR M8 DROIT	4	
15	S110.083	BAGUE Ø51Ø70E15	8	
16	S107.792	AXE Ø40x220mm	2	
17	S107.790	PLAQUE FIXATION AXE Ø40mm	8	
18	S107.975	BOULON M16x45 ZN	6	
19	S110.071	AXE Ø40x100mm	2	
20	S111.164	SUPPORT TETE DE DISTRIBUTION COMPLET	1	
21	S113.174	MONTAGE RAMPE DE FEUX COMPLET	1	
22	S113.176RH	PANNEAU SIGNALISATION AV COMPLET	1	
23	S113.176LH	PANNEAU DE SIGNALISATION AV COMPLET	1	
24	S112.491	SUPPORT HYDRAULIQUE CETOP	1	
25	S100.496	BOULON M12x30 ZN	4	
26	S112.403	SYSTEME DE REGULELEMENT	1	
27	S111.526	PLATEFORME AILE SEMOIR	1	
28	S111.511	ECELLE D'ELEMENT DE SEMIS	1	



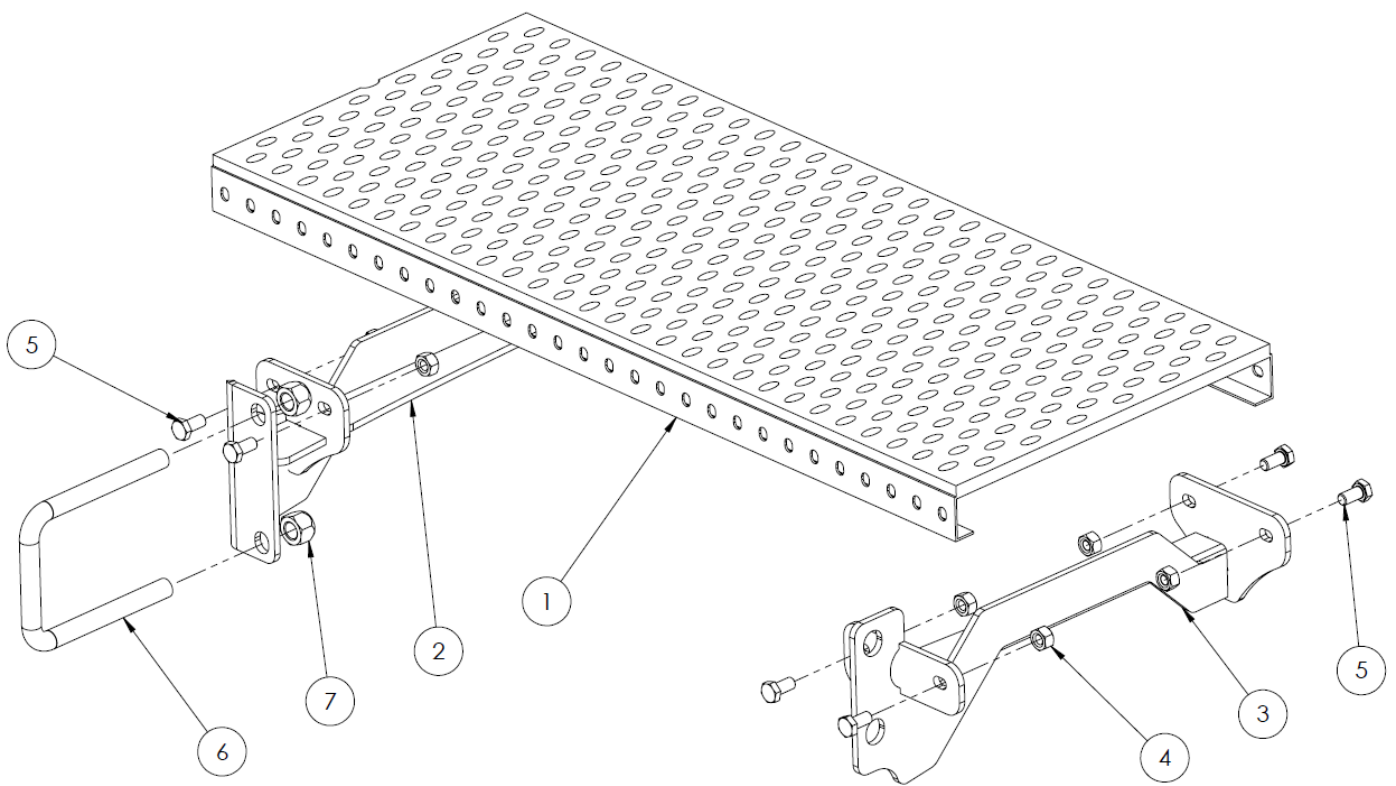
<b>S110.956</b>	<b>AILE LH</b>	<b>FR</b>	<b>03/2019</b>
-----------------	----------------	-----------	----------------

<b>No. ARTICLE</b>	<b>NUMERO DE PIECE</b>	<b>DESCRIPTION</b>	<b>QTE</b>	<b>TARIF</b>
1	S110.374	AILE L3300 LH	1	
2	S102.564	STOP PLATE POLYAMID	4	
3	S102.592	PLATE WING STOP ADJUSTMENT	8	
4	S110.957	VIS FHC M10x40 ZN	8	
5	S100.345	ECROU HEX FREIN M10 ZN	24	
6	S101.975	PASSE CLOISON 3/8 BSP	4	
7	S110.608	SUPPORT HYDRAULIQUE AILE	1	
8	S107.443	BOULON M10x35 ZN	4	
9	S110.281	BOITE GUIDE 5 TUYAUX	3	
10	S110.668	SUPPORT DE GUIDE TUYAUX	2	
11	S100.491	BOULON M8x20 ZN	12	
12	S100.494	BOULON M10x25 10.9 ZN	12	
13	S100.280	ECROU HEX FREIN M8 ZN	12	
14	S110.669	SUPPORT DE GUIDE AILE DROITETUYAUX	4	
15	S100.275	ECROU HEX FREIN M20 ZN	12	
16	S100.282	RONDELLE PLATE Ø20	24	
17	S100.482	BOULON M20x60 ZN	12	



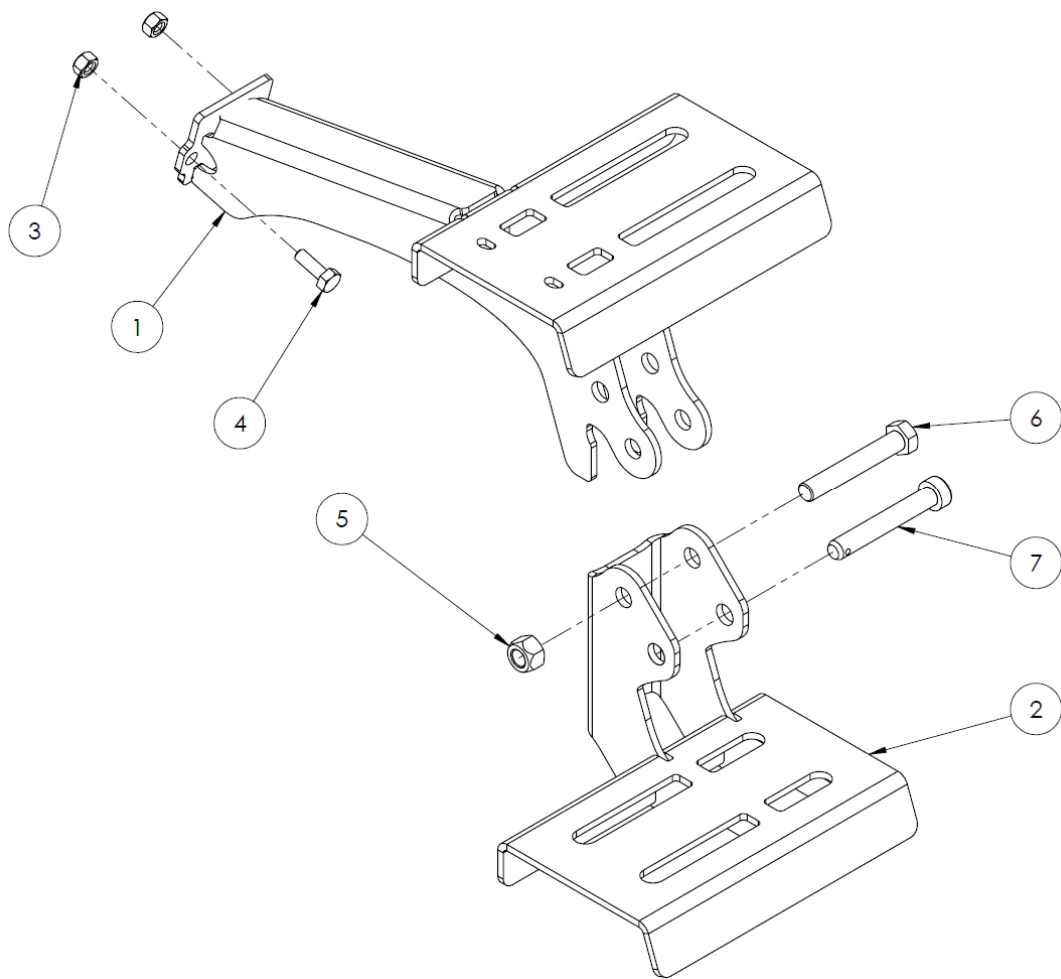
<b>S110.958</b>	<b>AILE RH</b>	<b>FR</b>	<b>03/2019</b>
-----------------	----------------	-----------	----------------

<b>No. ARTICLE</b>	<b>NUMERO DE PIECE</b>	<b>DESCRIPTION</b>	<b>QTE</b>	<b>TARIF</b>
1	S110.367	AILE L3300 RH	1	
2	S102.564	STOP PLATE POLYAMID	4	
3	S102.592	PLATE WING STOP ADJUSTMENT	8	
4	S100.345	ECROU HEX FREIN M10 ZN	24	
5	S110.957	VIS FHC M10x40 ZN	8	
6	S101.975	PASSE CLOISON 3/8 BSP	4	
7	S110.608	SUPPORT HYDRAULIQUE AILE	1	
8	S107.443	BOULON M10x35 ZN	4	
9	S110.281	BOITE GUIDE 5 TUYAUX	3	
10	S110.668	SUPPORT DE GUIDE TUYAUX	2	
11	S100.491	BOULON M8x20 ZN	12	
12	S100.494	BOULON M10x25 10.9 ZN	12	
13	S100.280	ECROU HEX FREIN M8 ZN	12	
14	S110.669	SUPPORT DE GUIDE AILE DROITETUYAUX	4	
15	S100.282	RONDELLE PLATE Ø20	24	
16	S100.275	ECROU HEX FREIN M20 ZN	12	
17	S100.482	BOULON M20x60 ZN	12	



<b>S111.526</b>	<b>PLATEFORME AILE</b>	<b>FR</b>	<b>03/2019</b>
-----------------	------------------------	-----------	----------------

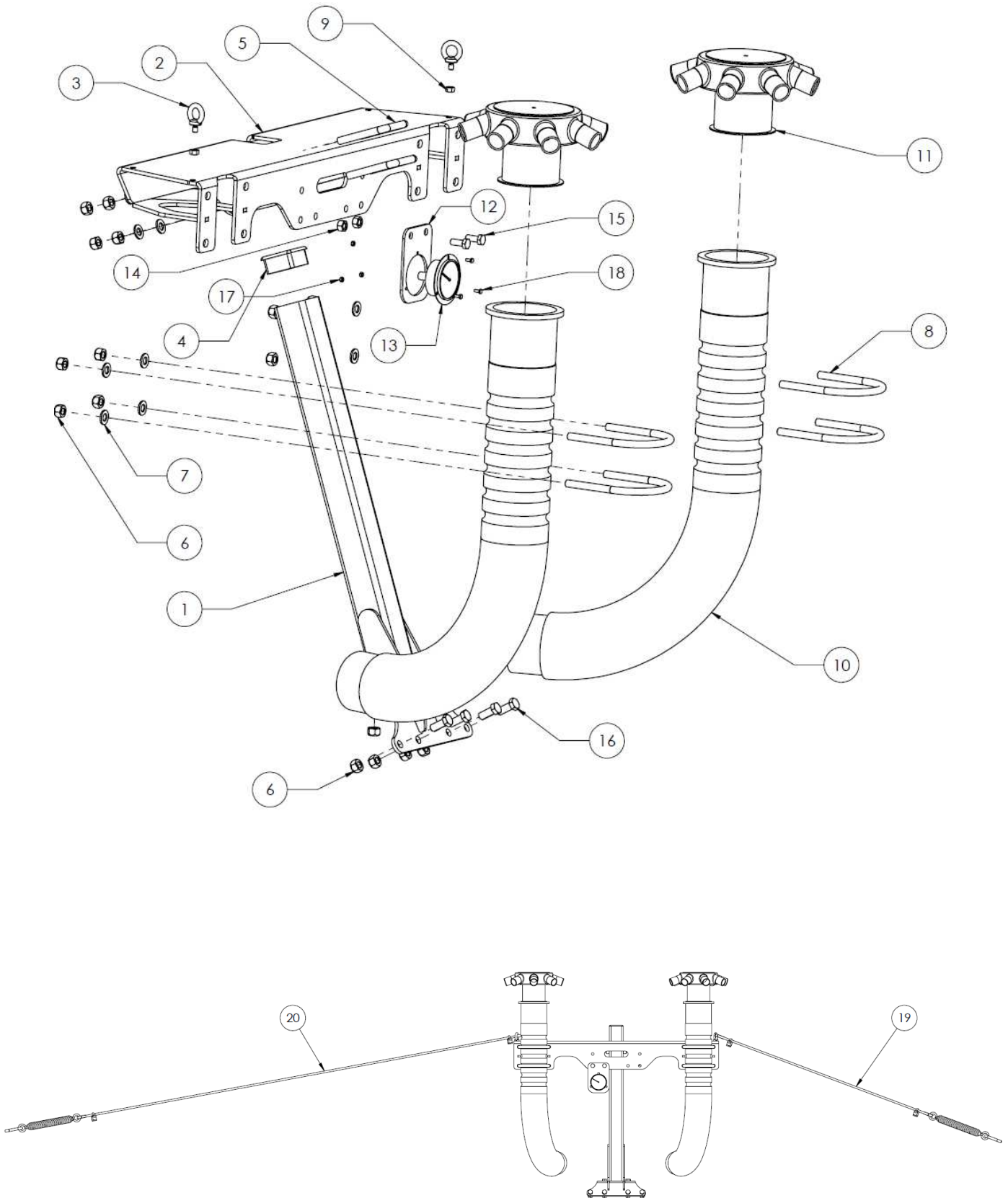
<b>No. ARTICLE</b>	<b>NUMERO DE PIECE</b>	<b>DESCRIPTION</b>	<b>QTE</b>	<b>TARIF</b>
1	S111.525	STEPBLOC 356MM PLATEFORME AILE	1	
2	S112.768	SUPPORT PLATEFORME BOSS	1	
3	S112.769	SUPPORT PLATEFORME BOSS	1	
4	S100.345	ECROU HEX FREIN M10 ZN	8	
5	S100.493	BOULON M10x20 ZN	8	
6	S102.432	BRIDE 100x100 M16	1	
7	S100.276	ECROU HEX FREIN M16 ZN	2	





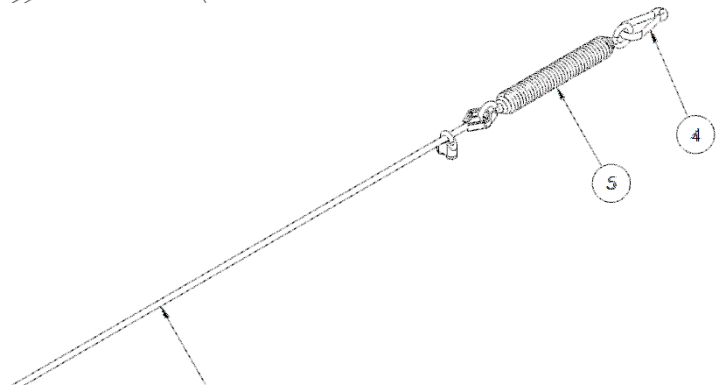
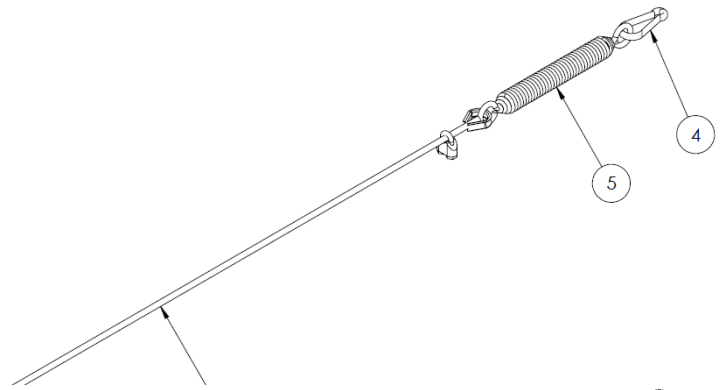
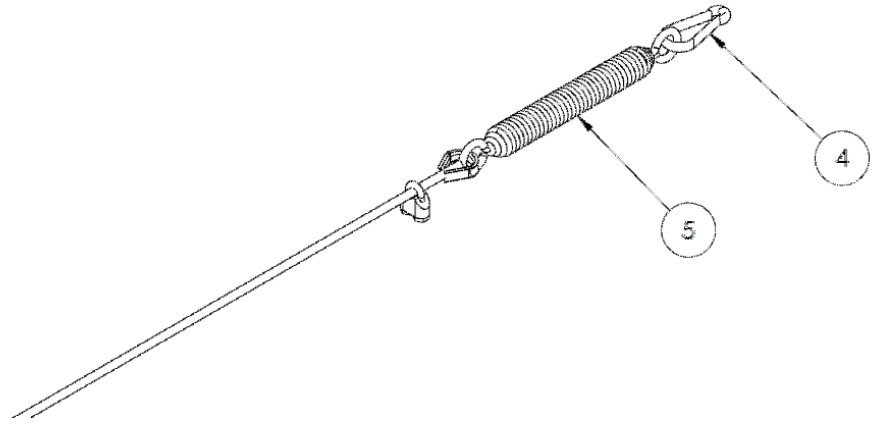
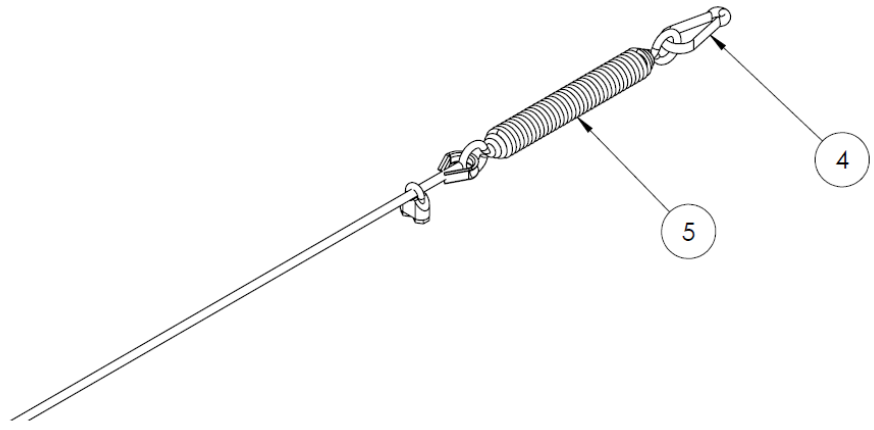
<b>S111.511</b>	<b>ECHELLE ELEMENT DE SEMIS</b>	<b>FR</b>	<b>03/2019</b>
-----------------	---------------------------------	-----------	----------------

<b>No. ARTICLE</b>	<b>NUMERO DE PIECE</b>	<b>DESCRIPTION</b>	<b>QTE</b>	<b>TARIF</b>
1	S111.506	MARCHE ELEMENT SEMIS	1	
2	S111.510	MARCHE ELEMENT PLIABLE	1	
3	S100.345	ECROU HEX FREIN M10 ZN	2	
4	S100.270	BOULON M10x30 ZN	2	
5	S100.276	ECROU HEX FREIN M16 ZN	1	
6	S100.260	BOULON M16x100 ZN	1	
7	S110.666	AXE Ø16x97mm	1	



<b>S115.202 / S115.204</b>	<b>CABLE GUIDE TUYAUX</b>	<b>FR</b>	<b>03/2019</b>
----------------------------	---------------------------	-----------	----------------

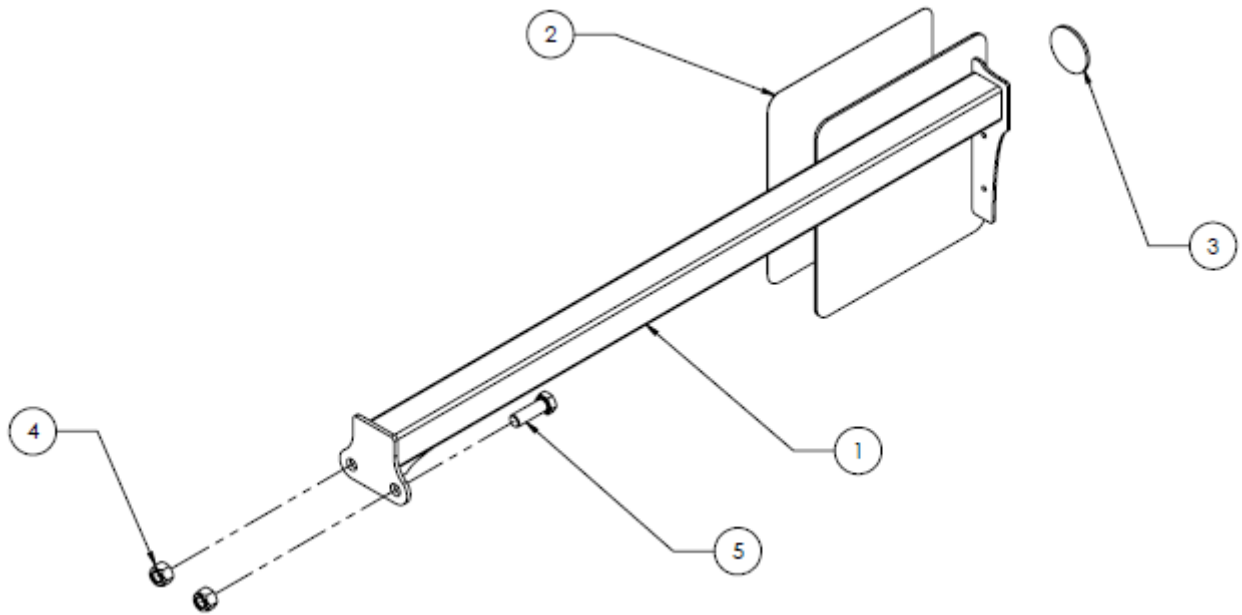
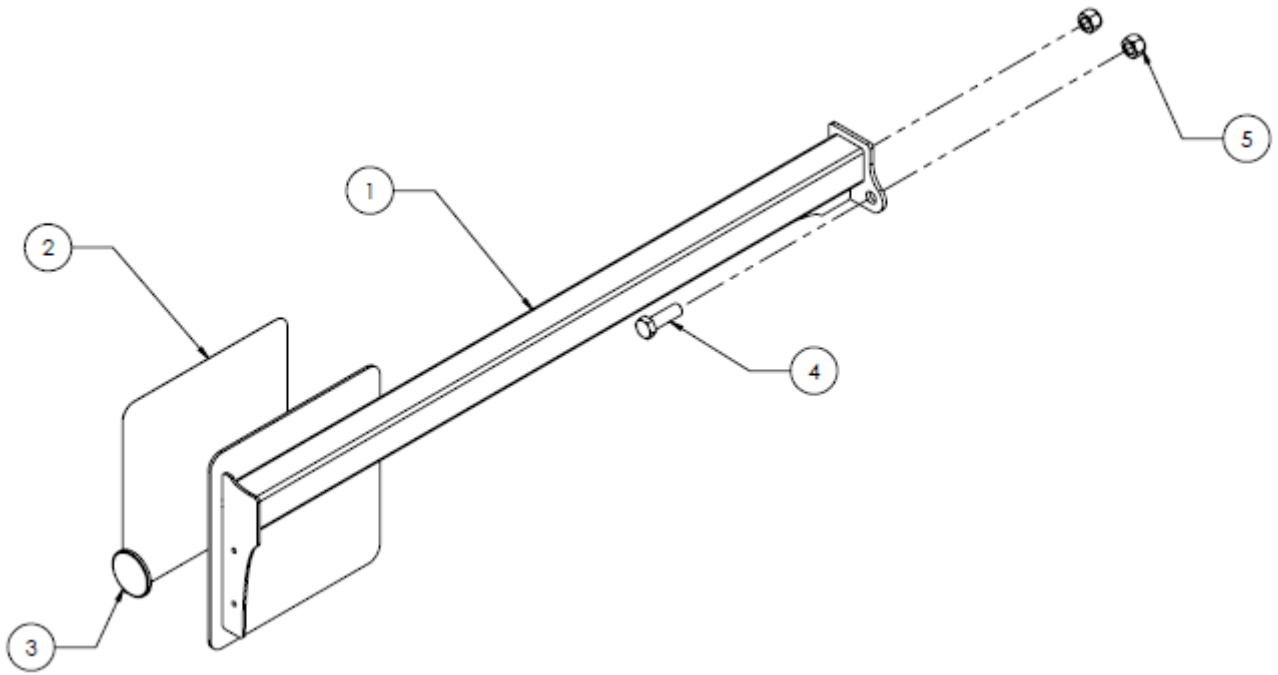
<b>No. ARTICLE</b>	<b>NUMERO DE PIECE</b>	<b>DESCRIPTION</b>	<b>QTE</b>	<b>TARIF</b>
1	S111.158	SUPPORT DE TETE DISTRIBUTION	1	
2	S111.163	SUPPORT TETE DE REPARTITION	1	
3	S111.165	ANNEAU DE LEVAGE M8	2	
4	S102.118	CACHE PLASTIQUE 60x60mm	1	
5	S100.310	BRIDE 60x60 M12	2	
6	S100.279	ECROU HEX FREIN M12 ZN	18	
7	S100.285	RONDELLE PLATE Ø12	12	
8	S109.534	BRIDE TUBE Ø112 M12	4	
9	S100.280	ECROU HEX FREIN M8 ZN	2	
10	S109.943	TUBE DIFFUSEUR Ø100	2	
11	S109.299	TETE DE REPARTITION Ø32 Ø100 8S	2	
12	S111.168	SUPPORT DE MANO PRESSION HUILE	1	
13	S111.169	MANOMETRE Ø63 PRISE ARRIERE	1	
14	S100.345	ECROU HEX FREIN M10 ZN	2	
15	S100.494	BOULON M10x25 10.9 ZN	2	
16	S100.496	BOULON M12x30 ZN	6	
17	S100.342	ECROU HEX FREIN M4 ZN	3	
18	S111.267	BOULON M4x10 ZN	3	
19	S115.202	CABLE GUIDE TUYAUX BOSS 3m	2	
20	S115.204	CABLE GUIDE TUYAUX BOSS 6m	2	



<b>S115.202 / S115.204</b>	<b>CABLE GUIDE TUYAUX</b>	<b>FR</b>	<b>03/2019</b>
----------------------------	---------------------------	-----------	----------------

<b>No. ARTICLE</b>	<b>NUMERO DE PIECE</b>	<b>DESCRIPTION</b>	<b>QTE</b>	<b>TARIF</b>
1	S115.201	CABLE ACIER Ø8mm	1	
2	S110.860	COSSE COEUR Ø8	2	
3	S110.872	SERRE CABLE 8mm	2	
4	S106.635	MOUSQUETON 80X8	1	
5	S110.898	RESSORT DE TRACTION Ø30x5x268mm	1	

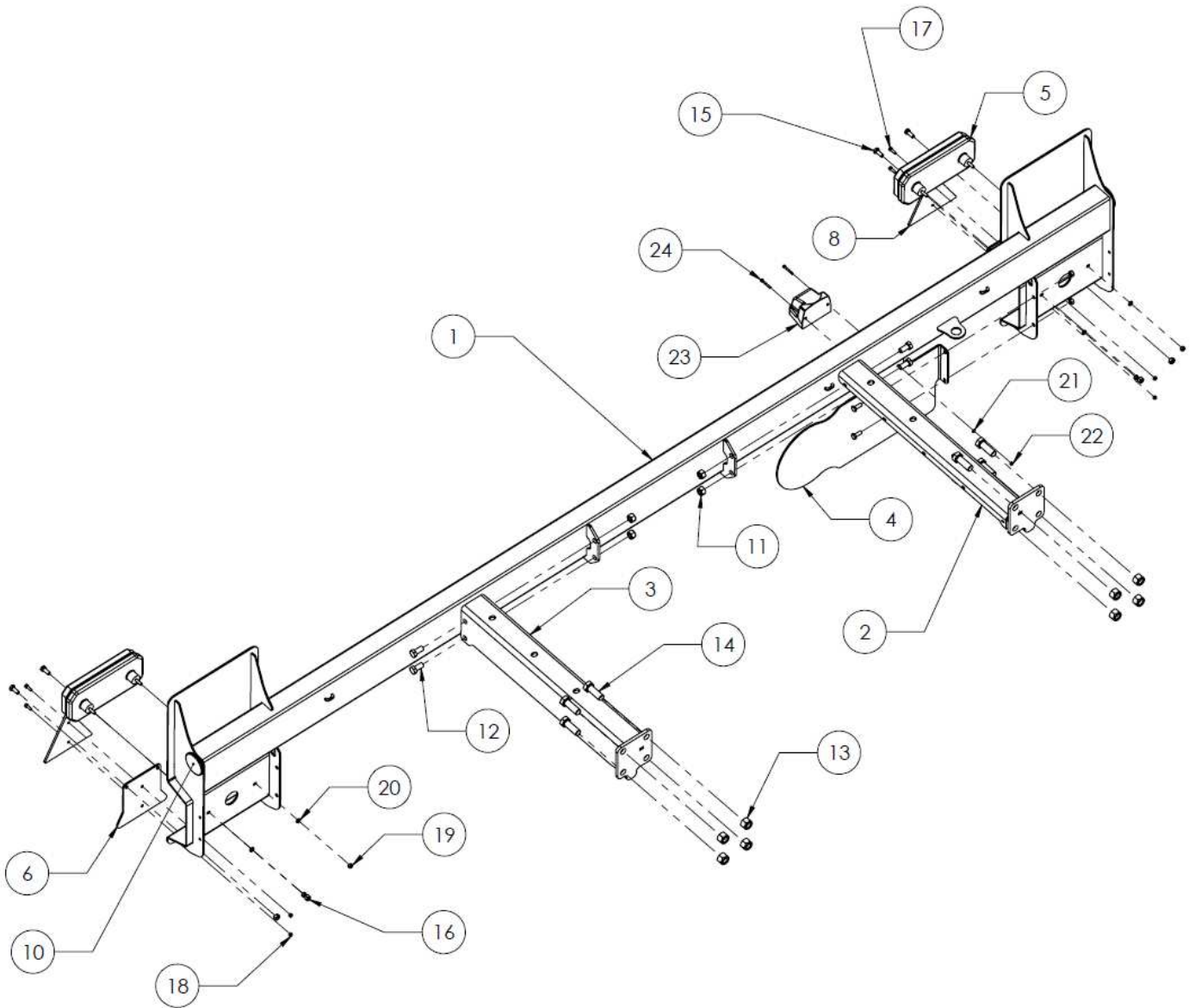
<b>No. ARTICLE</b>	<b>NUMERO DE PIECE</b>	<b>DESCRIPTION</b>	<b>QTE</b>	<b>TARIF</b>
1	S115.203	CABLE ACIER Ø8mm	1	
2	S110.860	COSSE COEUR Ø8	2	
3	S110.872	SERRE CABLE 8mm	2	
4	S106.635	MOUSQUETON 80X8	1	
5	S110.898	RESSORT DE TRACTION Ø30x5x268mm	1	



<b>S113.176RH/LH</b>	<b>SIGNALISATION LH/RH</b>	<b>FR</b>	<b>03/2019</b>
----------------------	----------------------------	-----------	----------------

<b>No. ARTICLE</b>	<b>NUMERO DE PIECE</b>	<b>DESCRIPTION</b>	<b>QTE</b>	<b>TARIF</b>
1	S111.584LH	SUPPORT PANNEAU LH	1	
2	S102.754	WARNING SIGN STICKER 282X282mm	1	
3	S107.397	CATADIOPTRE Ø60 ADHESIF ORANGE	1	
4	S107.960	BOULON M16x50 ZN	2	
5	S100.276	ECROU HEX FREIN M16 ZN	2	

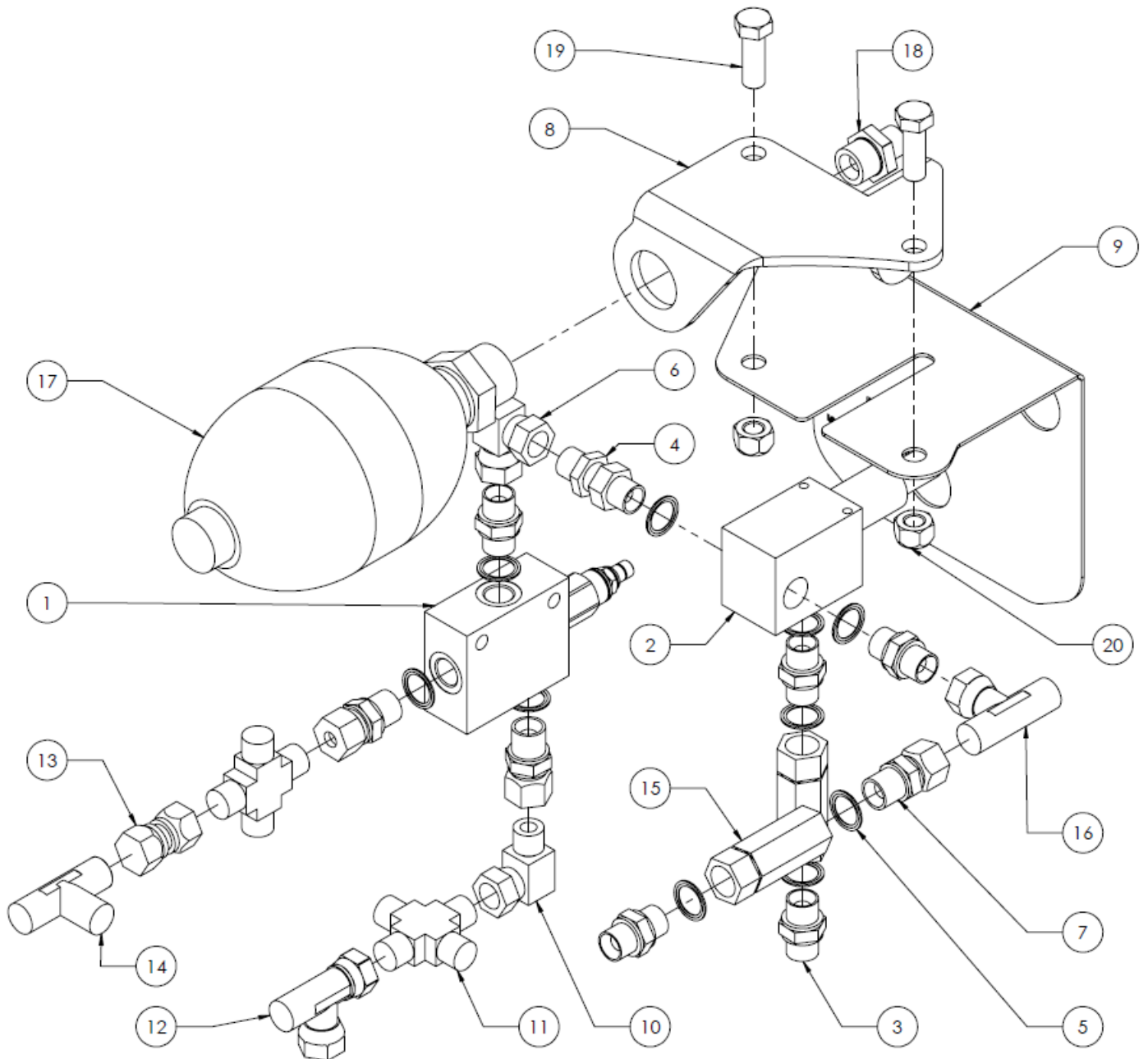
<b>No. ARTICLE</b>	<b>NUMERO DE PIECE</b>	<b>DESCRIPTION</b>	<b>QTE</b>	<b>TARIF</b>
1	S111.584RH	SUPPORT PANNEAU RH	1	
2	S102.754	WARNING SIGN STICKER 282X282mm	1	
3	S107.397	CATADIOPTRE Ø60 ADHESIF ORANGE	1	
4	S100.276	ECROU HEX FREIN M16 ZN	2	
5	S107.960	BOULON M16x50 ZN	2	





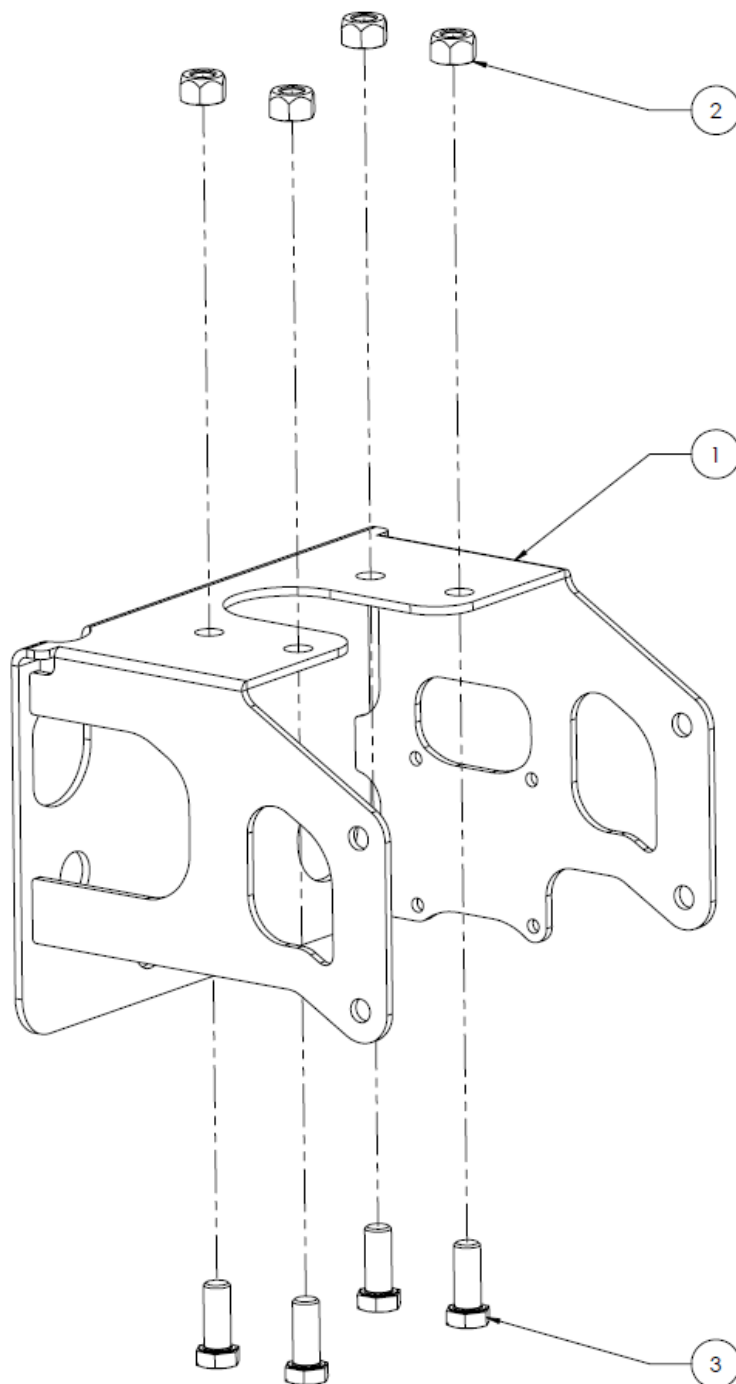
<b>S113.174</b>	<b>RAMPE DE FEUX</b>	<b>FR</b>	<b>03/2019</b>
-----------------	----------------------	-----------	----------------

<b>No. ARTICLE</b>	<b>NUMERO DE PIECE</b>	<b>DESCRIPTION</b>	<b>QTE</b>	<b>TARIF</b>
1	S111.557	RAMPE DE FEUX ARR	1	
2	S111.573LH	SUPPORT DE RAMPE LH	1	
3	S111.573RH	SUPPORT DE RAMPE RH	1	
4	S111.575	SUPPORT DE PLAQUE	1	
5	S111.555	FEU ARRIERE LED	2	
6	S111.576	SUPPORT DE TRIANGLE	2	
7	S102.754	WARNING SIGN STICKER 282X282mm	2	
8	S107.398	REFLECTUER TRIANGLE	2	
9	S113.175	DISQUE 25Km/h	1	
10	S107.397	CATADIOPTRE Ø60 ADHESIF ORANGE	2	
11	S100.279	ECROU HEX FREIN M12 ZN	4	
12	S100.495	BOULON M12x25 ZN	4	
13	S100.276	ECROU HEX FREIN M16 ZN	8	
14	S107.975	BOULON M16x45 ZN	8	
15	S100.491	BOULON M8x20 ZN	6	
16	S100.280	ECROU HEX FREIN M8 ZN	6	
17	S113.059	BOULON CHC M5x16 ZN	4	
18	S100.518	ECROU HEX FREIN M5	4	
19	S107.400	ECROU HEX FREIN M6 ZN	4	
20	S100.527	RONDELLE PLATE Ø6	4	
21	S100.525	RONDELLE PLATE Ø4	2	
22	S100.342	ECROU HEX FREIN M4 ZN	2	
23	S113.323	FEUX PLAQUE	1	
24	S113.572	BOULON CHC M4x30 ZN	2	



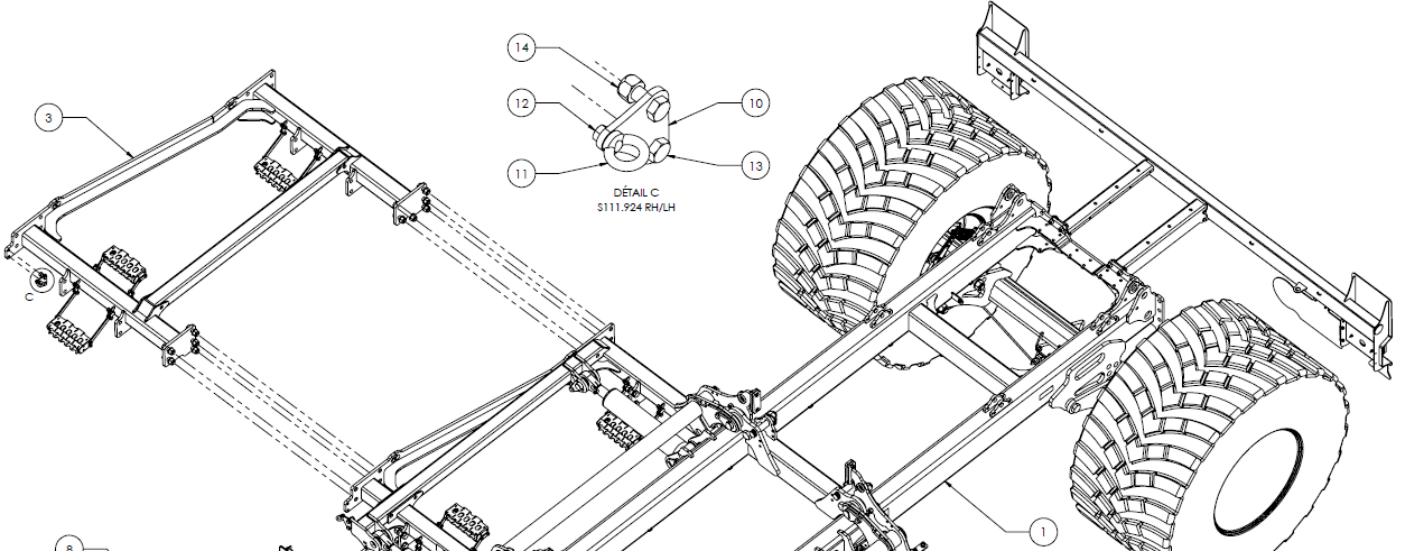
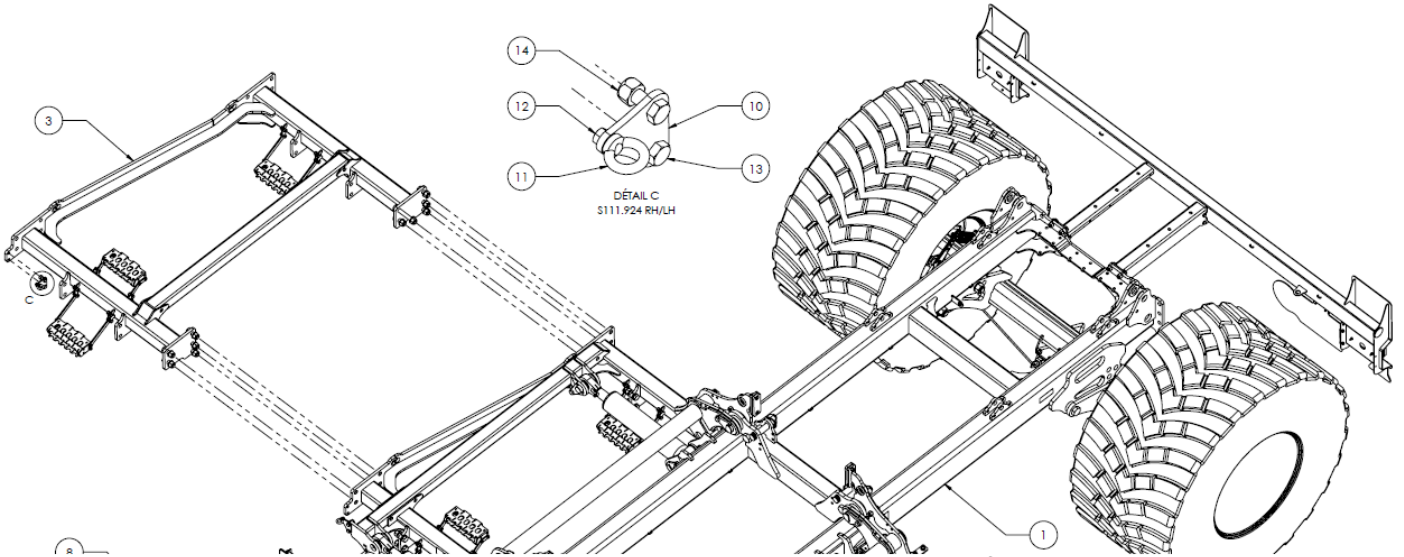
<b>S112.403</b>	<b>SYSTEME DE REGULATION</b>	<b>FR</b>	<b>03/2019</b>
-----------------	------------------------------	-----------	----------------

<b>No. ARTICLE</b>	<b>NUMERO DE PIECE</b>	<b>DESCRIPTION</b>	<b>QTE</b>	<b>TARIF</b>
1	S112.345	REDUCTEUR DE PRESSION 3 VOIES A ACTION DIRECT	1	
2	S112.400	LIMITEUR DE PRESSION 3/8" 5-100B	1	
3	S101.952	ADAPTATEUR MALE - MALE 3/8BSP - 3/8BSP	5	
4	S101.975	PASSE CLOISON 3/8 BSP	1	
5	S100.429	JOINT HYDRAULIQUE Ø17mm	10	
6	S112.402	ADAPTATEUR COUDE FEMELLE - FEMELLE 3/8BSP - M18x1.5mm	1	
7	S111.012	ADAPTATEUR MALE - FEMELLE 3/8BSP - 18x1.5mm	3	
8	S111.180	SUPPORT REGULATION DE PRESSION	1	
9	S111.181	TOLE DE PROTECTION REGULATION DE PRESSION	1	
10	S112.432	ADAPTATEUR COUDE MALE - FEMELLE 3/8BSP - M18x1.5mm	1	
11	S112.433	CROIX MALE 3/8	2	
12	S112.434	TE F/F/M 3/8" BSP	1	
13	S106.553	RACCORD F/F ROTULE 3/8" BSP	1	
14	S112.435	TE M/M/M 3/8" BSP	1	
15	S112.436	CLAPET ANTI-RETOUR 3/8" 0.5b	2	
16	S103.095	TE M/F/M 3/8" BSP	1	
17	S100.330	ACCUMULATEUR 0.7L	1	
18	S112.437	ADAPTATEUR MALE - MALE 1/2BSP - 3/8BSP	1	
19	S100.267	BOULON M12x35 ZN	2	
20	S100.279	ECROU HEX FREIN M12 ZN	2	



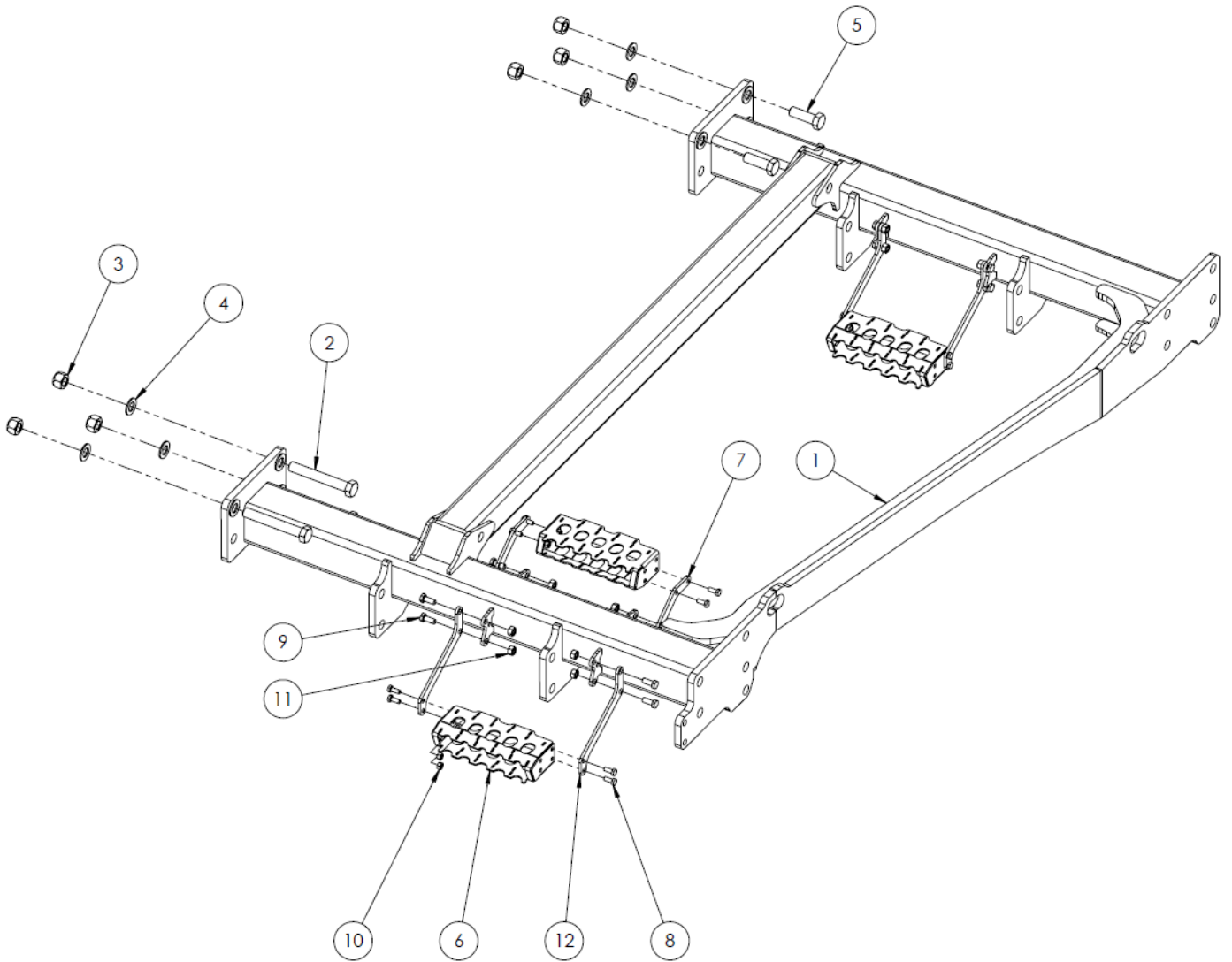
<b>S112.490</b>	<b>SUPPORT SYSTEME HYDRAULIQUE</b>	<b>FR</b>	<b>03/2019</b>
-----------------	------------------------------------	-----------	----------------

<b>No. ARTICLE</b>	<b>NUMERO DE PIECE</b>	<b>DESCRIPTION</b>	<b>QTE</b>	<b>TARIF</b>
1	S112.491	SUPPORT HYDRAULIQUE CETOP	1	
2	S100.279	ECROU HEX FREIN M12 ZN	4	
3	S100.496	BOULON M12x30 ZN	4	



<b>S111.955</b>	<b>CHASSIS + AILES + EXTENSIONS</b>	<b>FR</b>	<b>03/2019</b>
-----------------	-------------------------------------	-----------	----------------

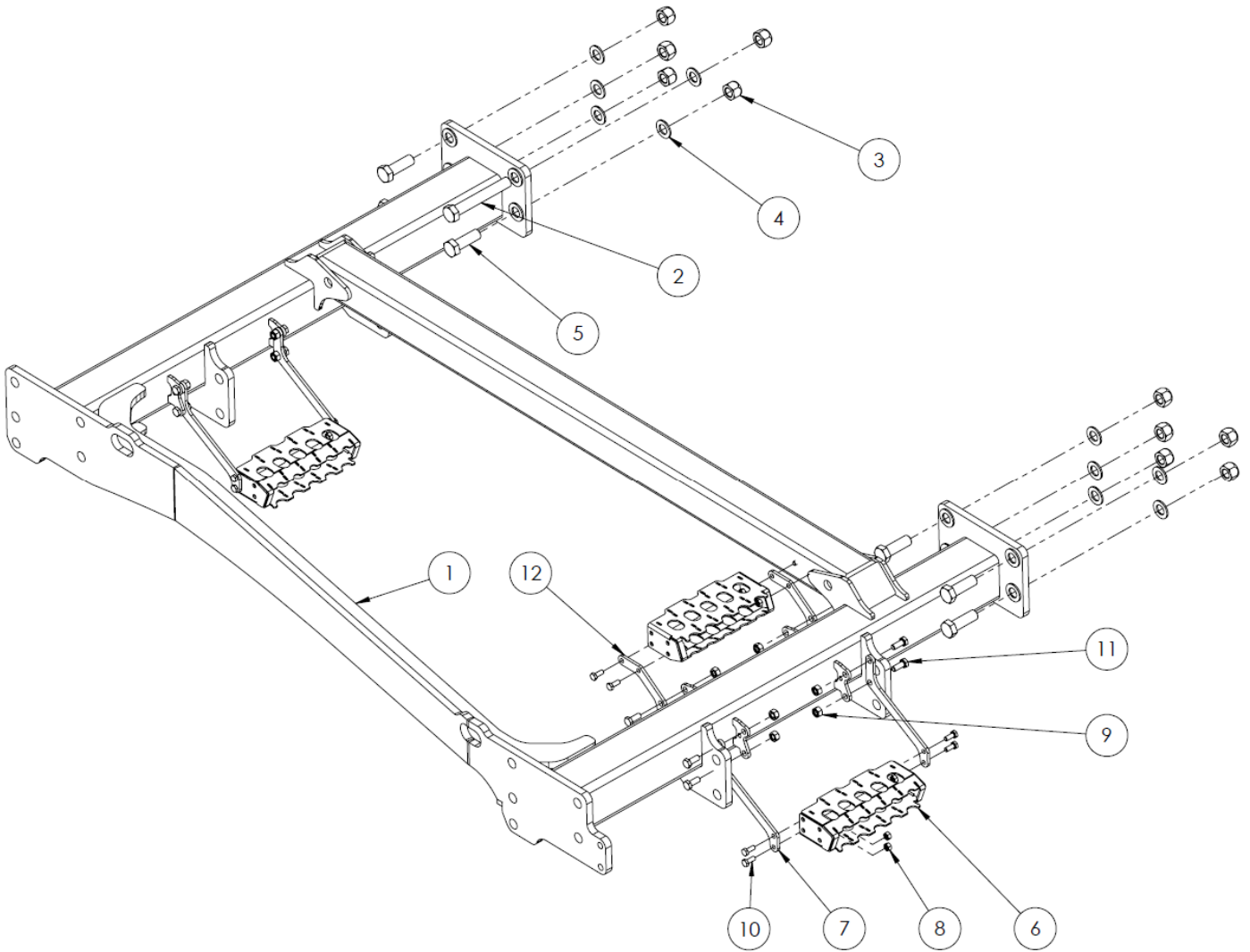
<b>No. ARTICLE</b>	<b>NUMERO DE PIECE</b>	<b>DESCRIPTION</b>	<b>QTE</b>	<b>TARIF</b>
1	S111.914	CHASSIS BOSS COMPLET + AILES	1	
2	S110.959	EXTENSION AILE L3300 LH COMPLETE	1	
3	S110.960	EXTENSION AILE L3300 RH COMPLETE	1	
4	S109.0954	VERIN Ø100Ø50S400 AJUSTABLE	2	
5	S107.792	AXE Ø40x220mm	2	
6	S107.790	PLAQUE FIXATION AXE Ø40mm	6	
7	S100.276	ECROU HEX FREIN M16 ZN	6	
8	S107.975	BOULON M16x45 ZN	6	
9	S110.071	AXE Ø40x100mm	2	
10	S111.166	PLATINE SUPPORT CABLE AILE	2	
11	S111.165	ANNEAU DE LEVAGE M8	2	
12	S100.280	ECROU HEX FREIN M8 ZN	2	
13	S100.267	BOULON M12x35 ZN	4	
14	S100.279	ECROU HEX FREIN M12 ZN	4	





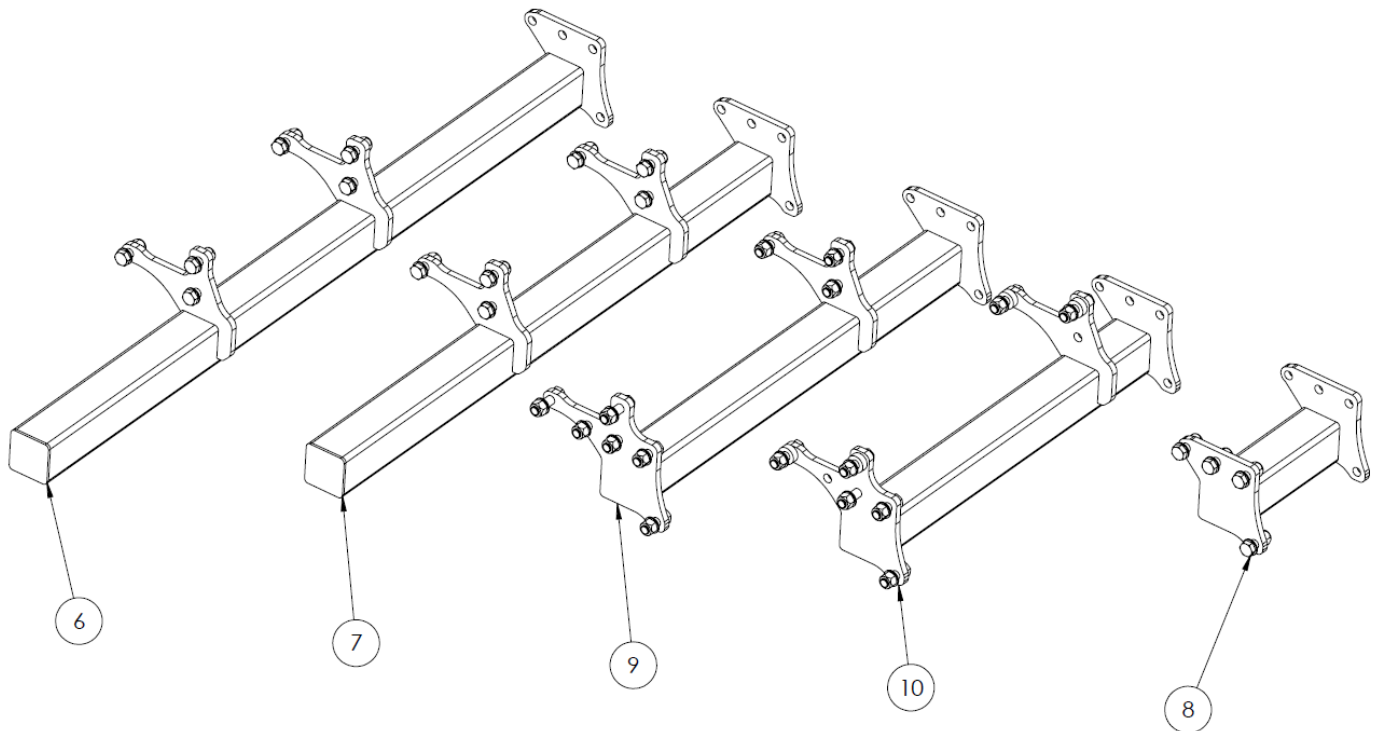
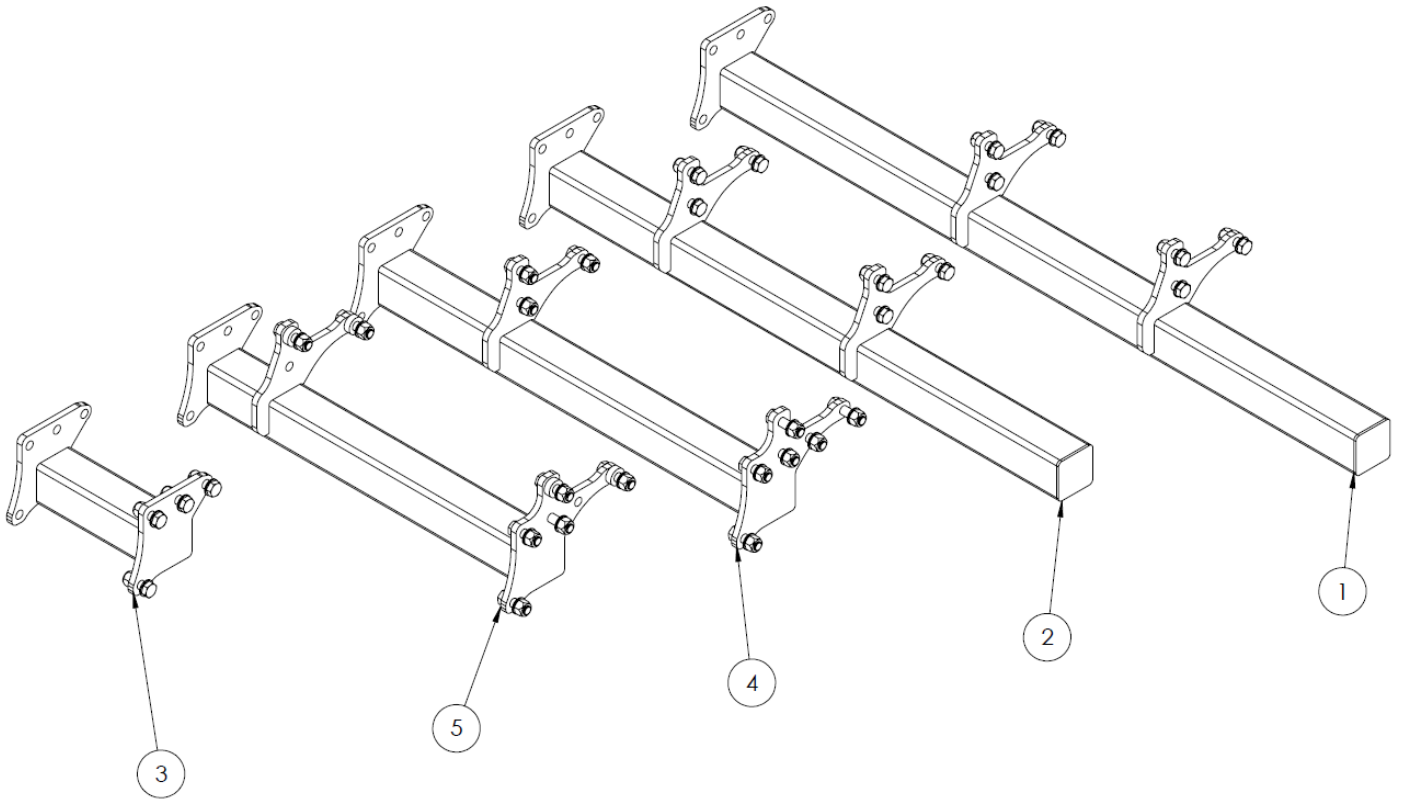
<b>S110.959</b>	<b>EXTENSION AILE LH</b>	<b>FR</b>	<b>03/2019</b>
-----------------	--------------------------	-----------	----------------

<b>No. ARTICLE</b>	<b>NUMERO DE PIECE</b>	<b>DESCRIPTION</b>	<b>QTE</b>	<b>TARIF</b>
1	S110.376	EXTENSION AILE 3300 LH	1	
2	S100.253	BOULON M20x140 ZN	2	
3	S100.275	ECROU HEX FREIN M20 ZN	6	
4	S100.282	RONDELLE PLATE Ø20	12	
5	S100.482	BOULON M20x60 ZN	4	
6	S110.281	BOITE GUIDE 5 TUYAUX	3	
7	S110.668	SUPPORT DE GUIDE TUYAUX	2	
8	S100.491	BOULON M8x20 ZN	12	
9	S100.494	BOULON M10x25 10.9 ZN	12	
10	S100.280	ECROU HEX FREIN M8 ZN	12	
11	S100.345	ECROU HEX FREIN M10 ZN	12	
12	S110.669	SUPPORT DE GUIDE AILE DROITE TUYAUX	4	



<b>S110.960</b>	<b>EXTENSION AILE RH</b>	<b>FR</b>	<b>03/2019</b>
-----------------	--------------------------	-----------	----------------

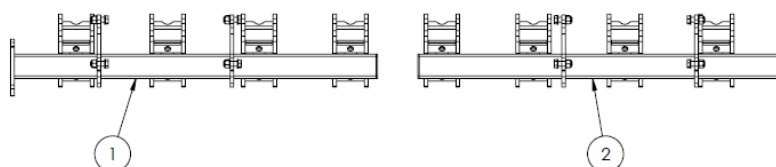
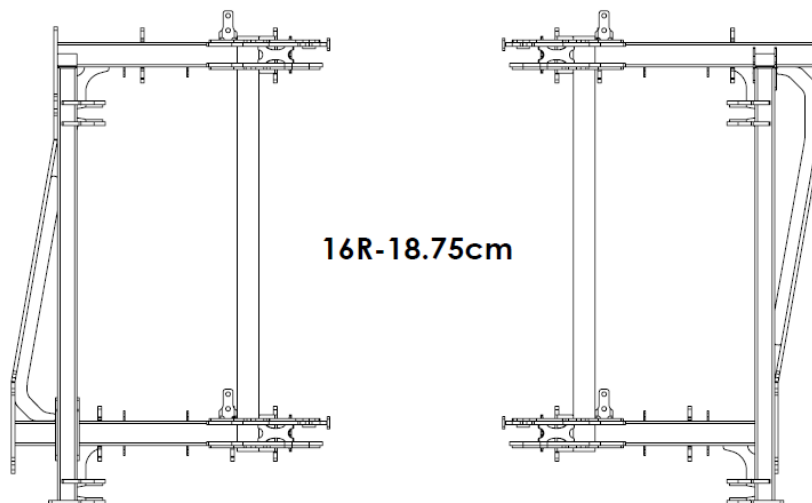
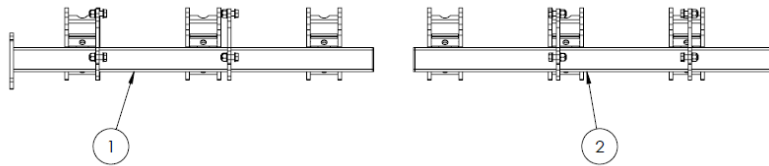
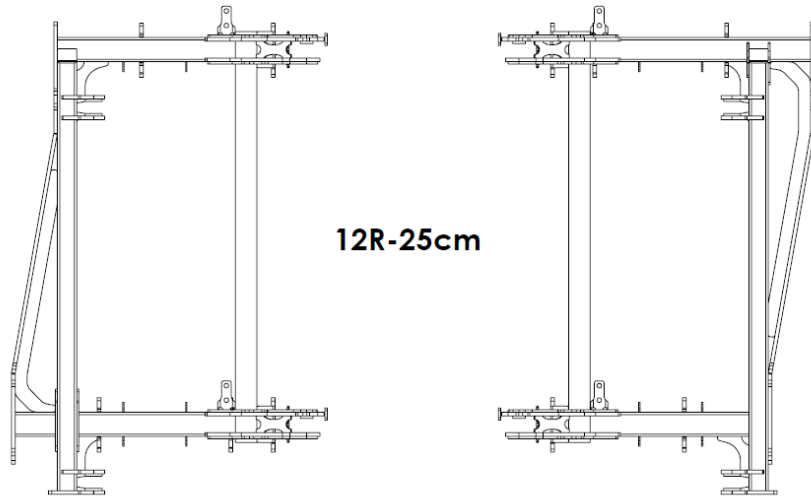
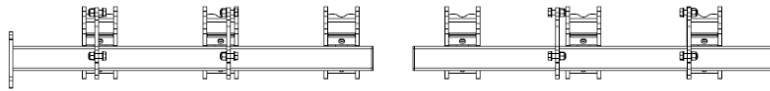
<b>No. ARTICLE</b>	<b>NUMERO DE PIECE</b>	<b>DESCRIPTION</b>	<b>QTE</b>	<b>TARIF</b>
1	S110.377	EXTENSION AILE 3300 RH	1	
2	S100.253	BOULON M20x140 ZN	1	
3	S100.275	ECROU HEX FREIN M20 ZN	10	
4	S100.282	RONDELLE PLATE Ø20	20	
5	S100.482	BOULON M20x60 ZN	9	
6	S110.281	BOITE GUIDE 5 TUYAUX	3	
7	S110.669	SUPPORT DE GUIDE AILE DROITE TUYAUX	4	
8	S100.280	ECROU HEX FREIN M8 ZN	12	
9	S100.345	ECROU HEX FREIN M10 ZN	12	
10	S100.491	BOULON M8x20 ZN	12	
11	S100.494	BOULON M10x25 10.9 ZN	12	
12	S110.668	SUPPORT DE GUIDE TUYAUX	2	



<b>S113.788</b>	<b>TOOLBAR RH/LH</b>	<b>FR</b>	<b>03/2019</b>
-----------------	----------------------	-----------	----------------

<b>No. ARTICLE</b>	<b>NUMERO DE PIECE</b>	<b>DESCRIPTION</b>	<b>QTE</b>	<b>TARIF</b>
1	S113.791RH	TOOLBAR L1875 COMPLET RH	1	
2	S113.790RH	TOOLBAR L1505 COMPLET RH	1	
3	S113.792RH	TOOLBAR L370 COMPLET RH	1	
4	S110.962RH	TOOLBAR L 1135 COMPLET RH	1	
5	S111.938RH	TOOLBAR L960RH COMPLET RH	1	

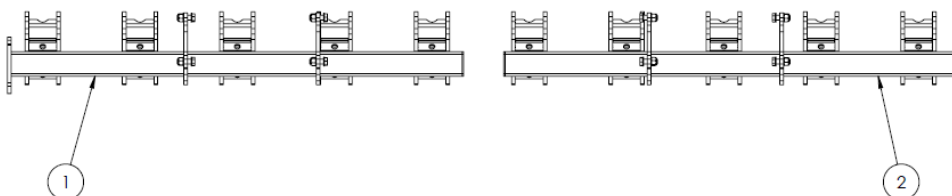
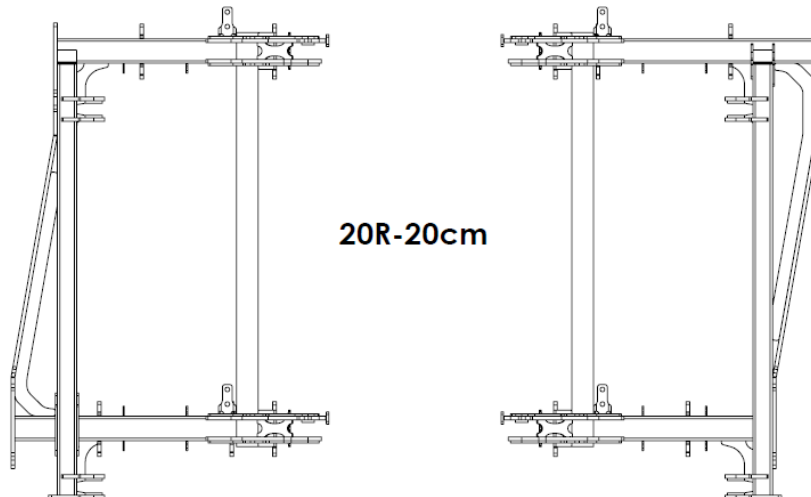
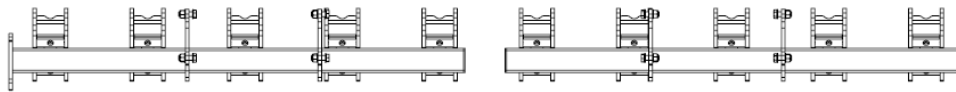
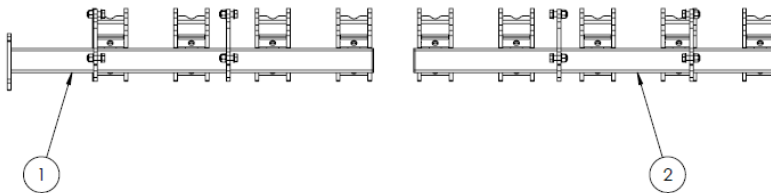
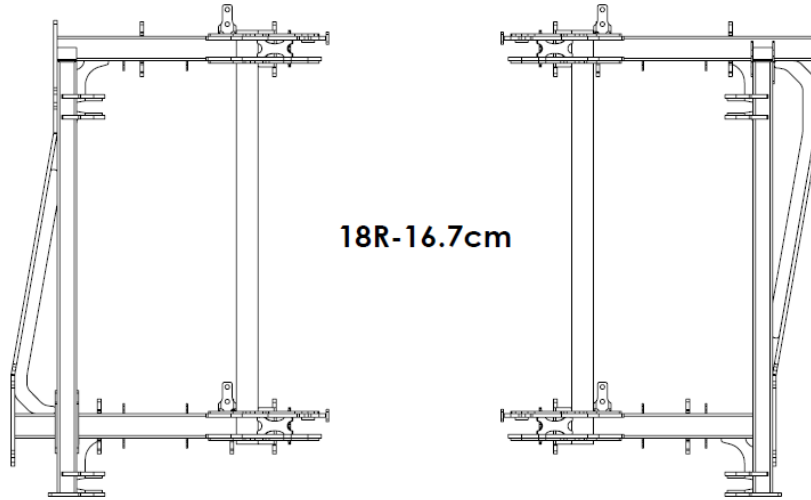
<b>No. ARTICLE</b>	<b>NUMERO DE PIECE</b>	<b>DESCRIPTION</b>	<b>QTE</b>	<b>TARIF</b>
6	S113.791LH	TOOLBAR L1875 COMPLET LH	1	
7	S113.790LH	TOOLBAR L1505 COMPLET LH	1	
8	S113.792LH	TOOLBAR L370 COMPLET LH	1	
9	S110.962LH	TOOLBAR L 1135 COMPLET LH	1	
10	S111.938LH	TOOLBAR L960RH COMPLET LH	1	



<b>S113.788</b>	<b>TOOLBAR RH/LH</b>	<b>FR</b>	<b>03/2019</b>
-----------------	----------------------	-----------	----------------

<b>No. ARTICLE</b>	<b>NUMERO DE PIECE</b>	<b>DESCRIPTION</b>	<b>QTE</b>	<b>TARIF</b>
1	S113.790RH	TOOLBAR L1505 COMPLET RH	2	
2	S113.790LH	TOOLBAR L1505 COMPLET LH	2	

<b>No. ARTICLE</b>	<b>NUMERO DE PIECE</b>	<b>DESCRIPTION</b>	<b>QTE</b>	<b>TARIF</b>
1	S113.790RH	TOOLBAR L1505 COMPLET RH	2	
2	S113.790LH	TOOLBAR L1505 COMPLET LH	2	

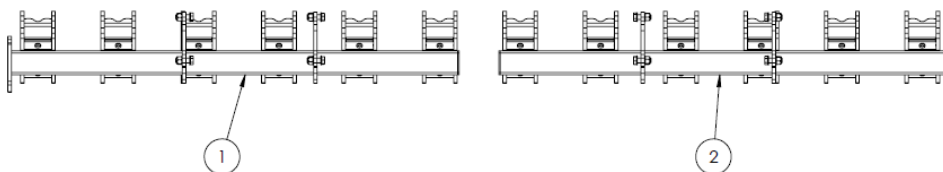
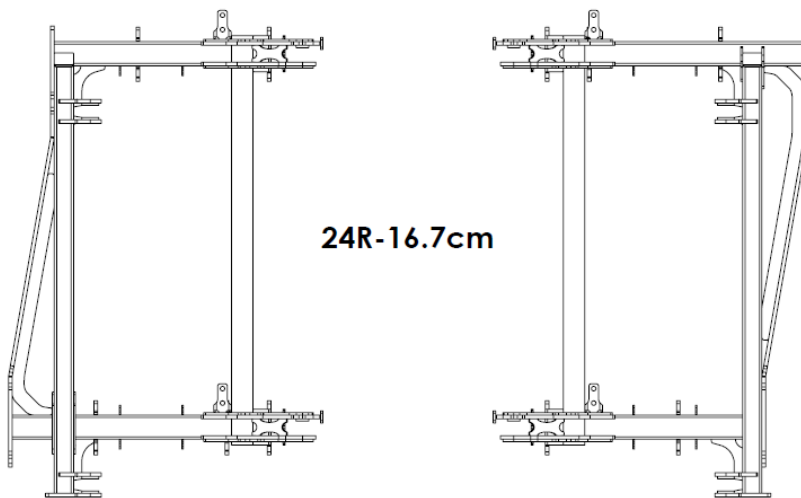
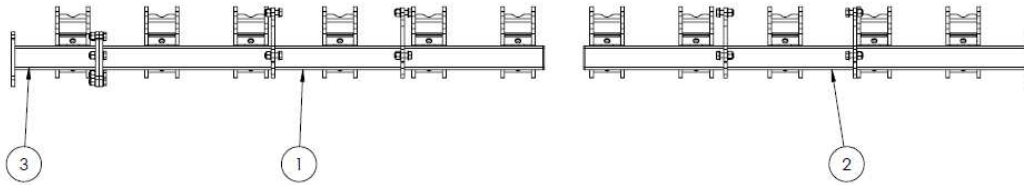
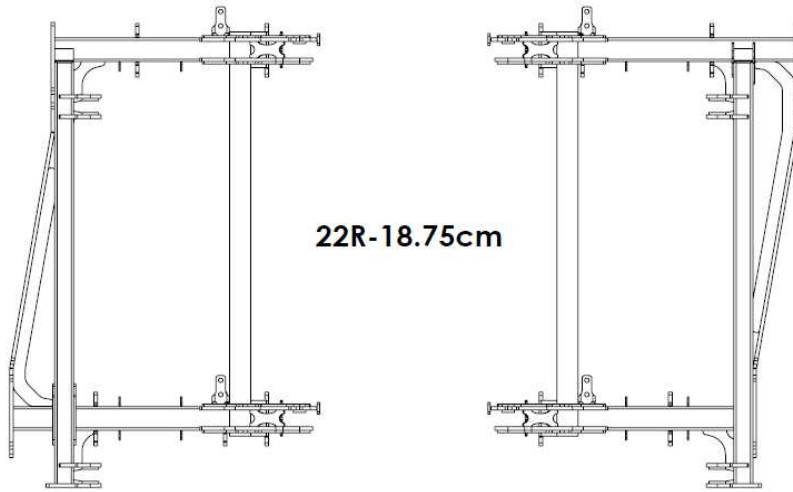
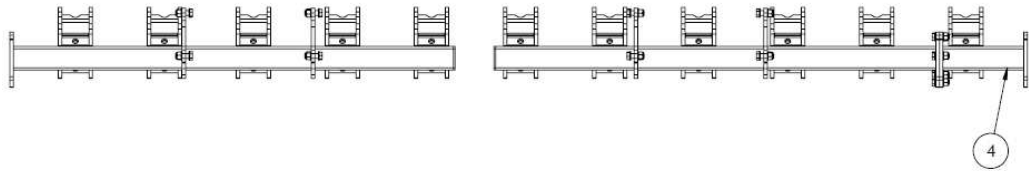




<b>S113.788</b>	<b>TOOLBAR RH/LH</b>	<b>FR</b>	<b>03/2019</b>
-----------------	----------------------	-----------	----------------

<b>No. ARTICLE</b>	<b>NUMERO DE PIECE</b>	<b>DESCRIPTION</b>	<b>QTE</b>	<b>TARIF</b>
1	S113.790RH	TOOLBAR L1505 COMPLET RH	2	
2	S113.790LH	TOOLBAR L1505 COMPLET LH	2	

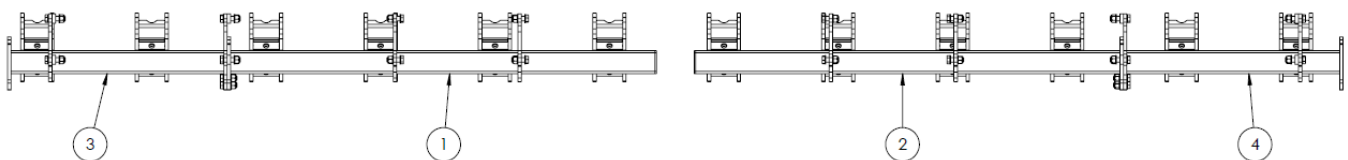
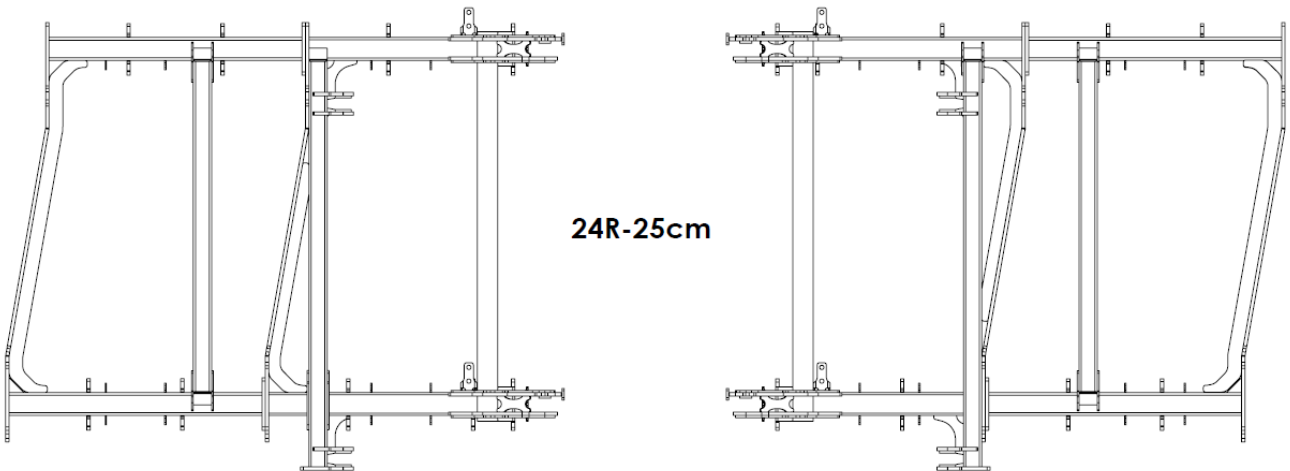
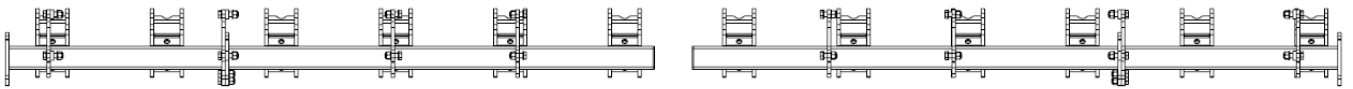
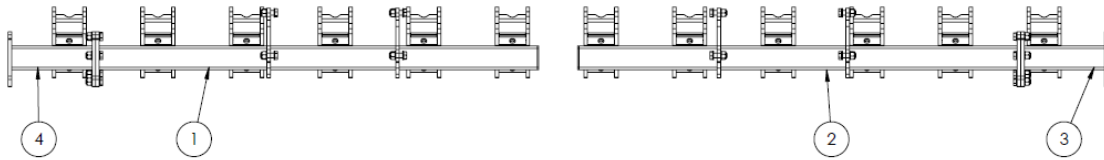
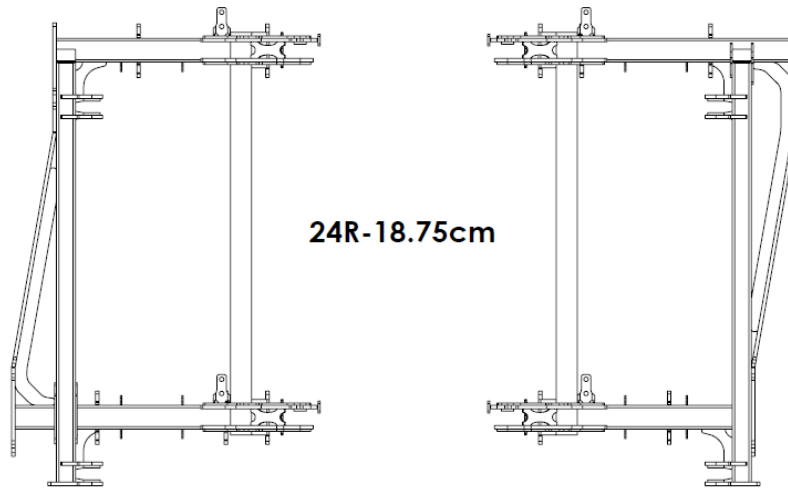
<b>No. ARTICLE</b>	<b>NUMERO DE PIECE</b>	<b>DESCRIPTION</b>	<b>QTE</b>	<b>TARIF</b>
1	S113.791RH	TOOLBAR L1875 COMPLET RH	2	
2	S113.791LH	TOOLBAR L1875 COMPLET LH	2	



<b>S113.788</b>	<b>TOOLBAR RH/LH</b>	<b>FR</b>	<b>03/2019</b>
-----------------	----------------------	-----------	----------------

<b>No. ARTICLE</b>	<b>NUMERO DE PIECE</b>	<b>DESCRIPTION</b>	<b>QTE</b>	<b>TARIF</b>
1	S113.791RH	TOOLBAR L1875 COMPLET RH	2	
2	S113.791LH	TOOLBAR L1875 COMPLET LH	2	
3	S113.792RH	TOOLBAR L370 COMPLET RH	1	
4	S113.792LH	TOOLBAR L370 COMPLET LH	1	

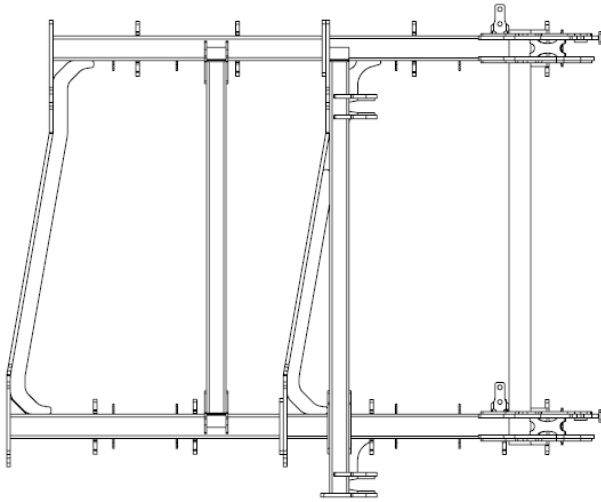
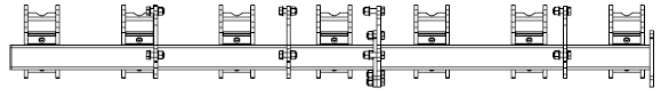
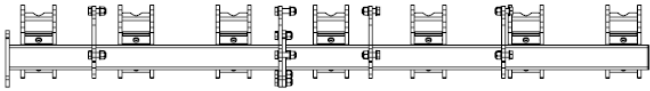
<b>No. ARTICLE</b>	<b>NUMERO DE PIECE</b>	<b>DESCRIPTION</b>	<b>QTE</b>	<b>TARIF</b>
1	S113.791RH	TOOLBAR L1875 COMPLET RH	2	
2	S113.791LH	TOOLBAR L1875 COMPLET LH	2	



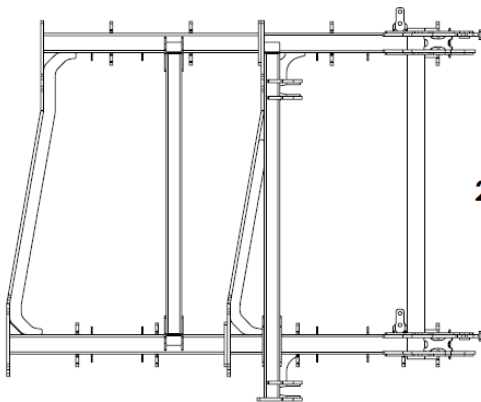
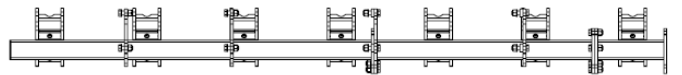
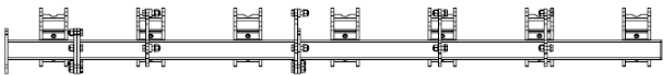
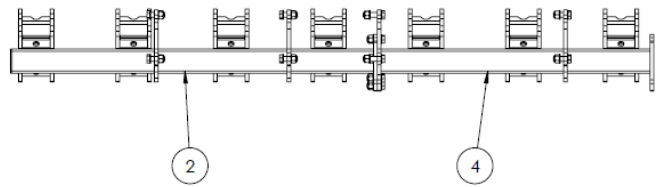
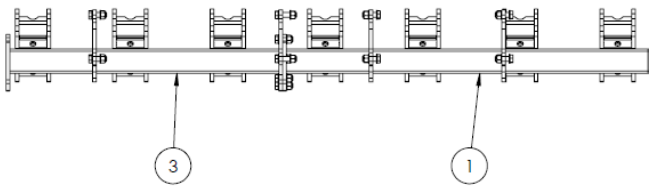
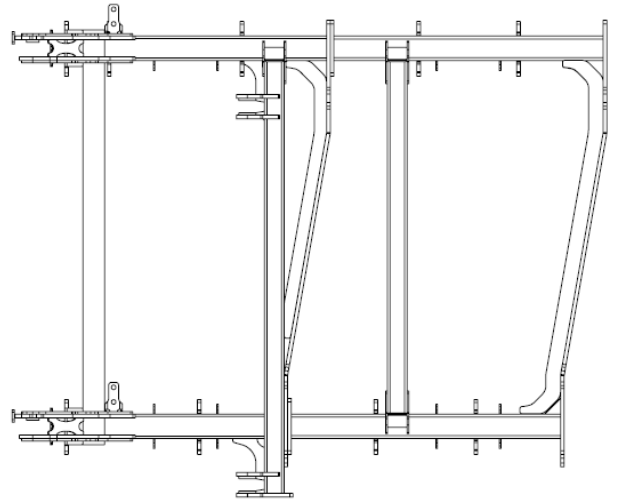
<b>S113.788</b>	<b>TOOLBAR RH/LH</b>	<b>FR</b>	<b>03/2019</b>
-----------------	----------------------	-----------	----------------

<b>No. ARTICLE</b>	<b>NUMERO DE PIECE</b>	<b>DESCRIPTION</b>	<b>QTE</b>	<b>TARIF</b>
1	S113.791RH	TOOLBAR L1875 COMPLET RH	2	
2	S113.791LH	TOOLBAR L1875 COMPLET LH	2	
3	S113.792RH	TOOLBAR L370 COMPLET RH	2	
4	S113.792LH	TOOLBAR L370 COMPLET LH	2	

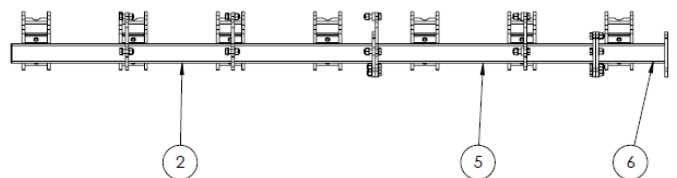
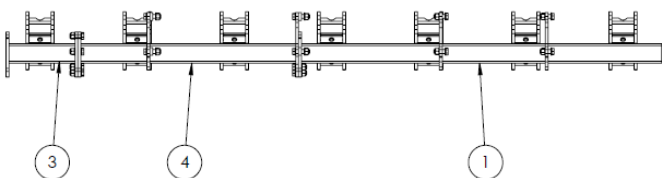
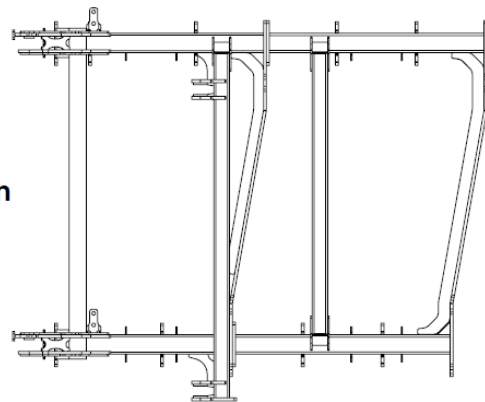
<b>No. ARTICLE</b>	<b>NUMERO DE PIECE</b>	<b>DESCRIPTION</b>	<b>QTE</b>	<b>TARIF</b>
1	S113.791RH	TOOLBAR L1875 COMPLET RH	2	
2	S113.791LH	TOOLBAR L1875 COMPLET LH	2	
3	S111.938RH	TOOLBAR L960RH COMPLET RH	2	
4	S111.938LH	TOOLBAR L960RH COMPLET LH	2	



28R-20cm



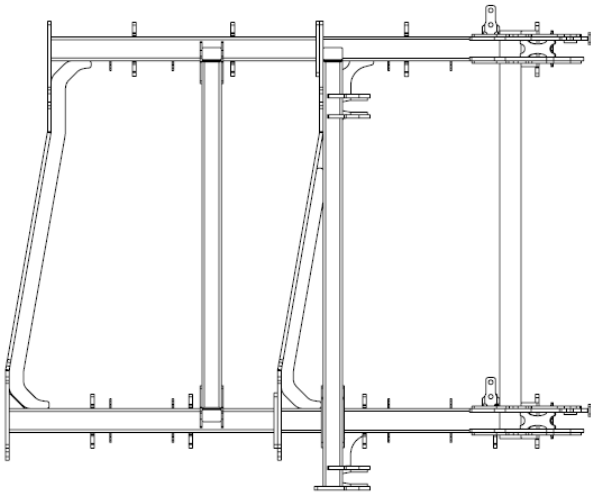
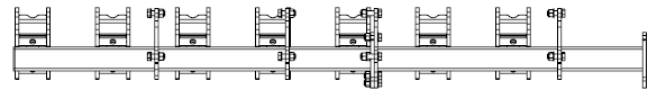
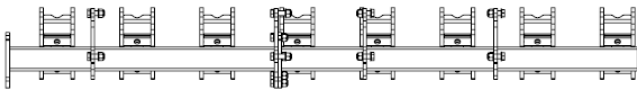
28R-25cm



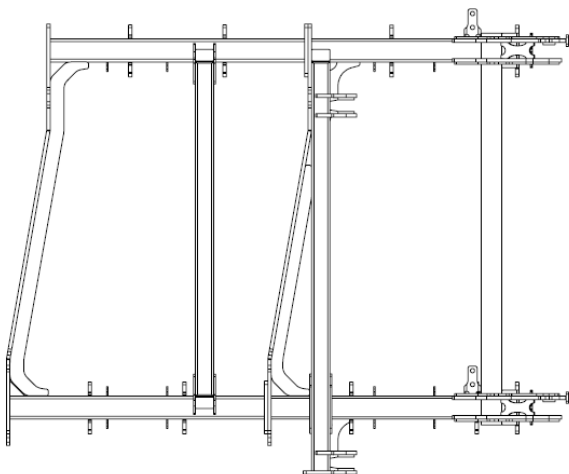
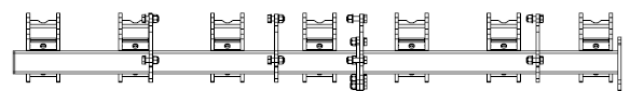
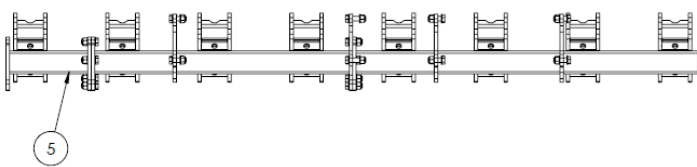
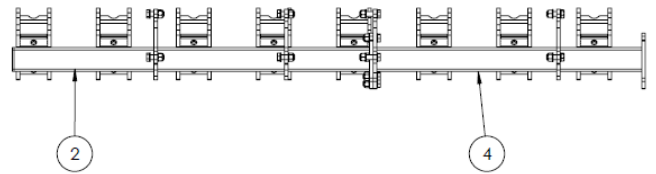
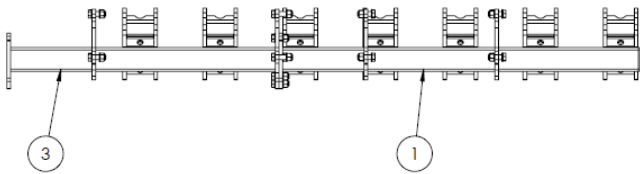
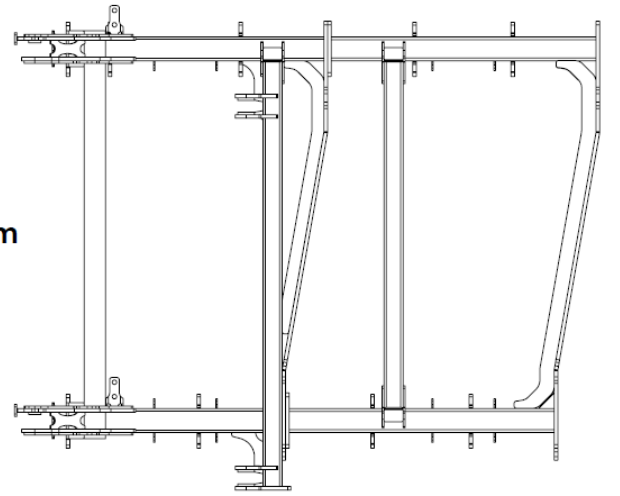
<b>S113.788</b>	<b>TOOLBAR RH/LH</b>	<b>FR</b>	<b>03/2019</b>
-----------------	----------------------	-----------	----------------

<b>No. ARTICLE</b>	<b>NUMERO DE PIECE</b>	<b>DESCRIPTION</b>	<b>QTE</b>	<b>TARIF</b>
1	S113.790RH	TOOLBAR L1505 COMPLET RH	2	
2	S113.790LH	TOOLBAR L1505 COMPLET LH	2	
3	S110.962RH	TOOLBAR L1135 COMPLET RH	2	
4	S110.962LH	TOOLBAR L1135 COMPLET LH	2	

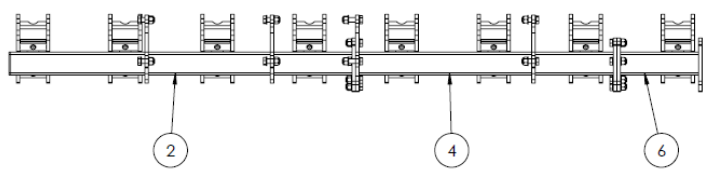
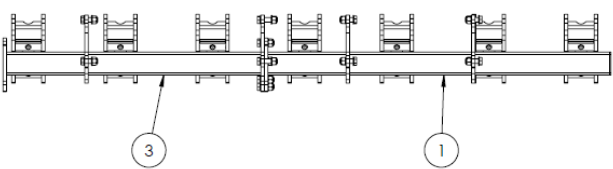
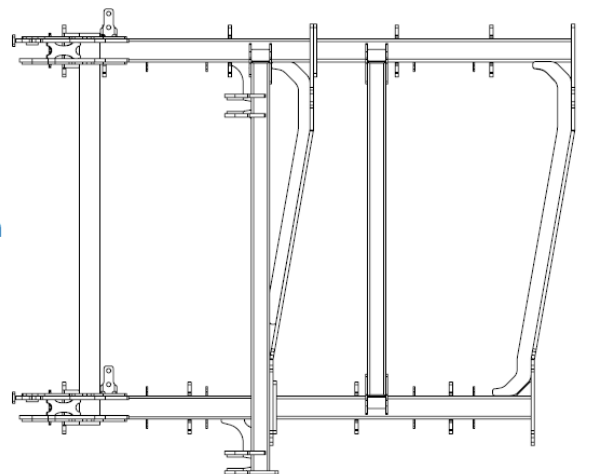
<b>No. ARTICLE</b>	<b>NUMERO DE PIECE</b>	<b>DESCRIPTION</b>	<b>QTE</b>	<b>TARIF</b>
1	S113.791RH	TOOLBAR L1875 COMPLET RH	2	
2	S113.791LH	TOOLBAR L1875 COMPLET LH	2	
3	S110.962RH	TOOLBAR L1135 COMPLET RH	2	
4	S110.962LH	TOOLBAR L1135 COMPLET LH	2	
5	S113.792RH	TOOLBAR L370 COMPLET RH	2	
6	S113.792LH	TOOLBAR L370 COMPLET LH	2	



30R-16.7cm



30R-20cm

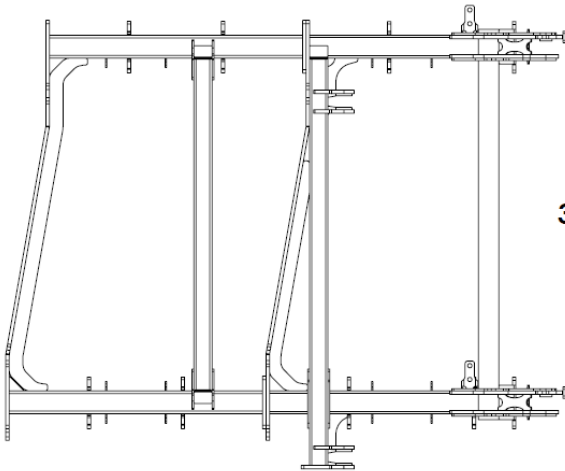




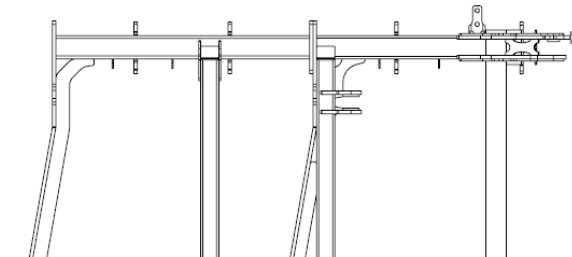
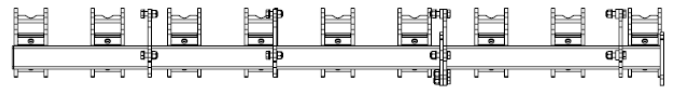
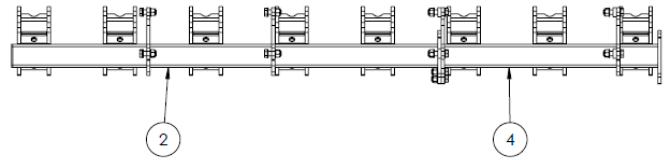
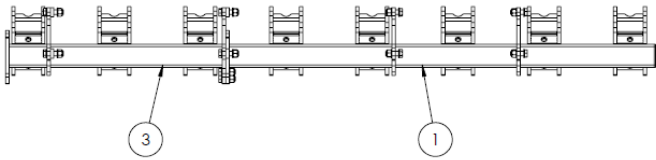
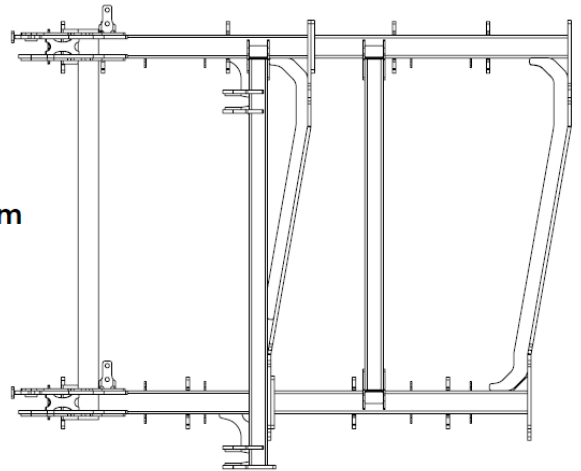
<b>S113.788</b>	<b>TOOLBAR RH/LH</b>	<b>FR</b>	<b>03/2019</b>
-----------------	----------------------	-----------	----------------

<b>No. ARTICLE</b>	<b>NUMERO DE PIECE</b>	<b>DESCRIPTION</b>	<b>QTE</b>	<b>TARIF</b>
1	S113.790RH	TOOLBAR L1505 COMPLET RH	2	
2	S113.790LH	TOOLBAR L1505 COMPLET LH	2	
3	S110.962RH	TOOLBAR L1135 COMPLET RH	2	
4	S110.962LH	TOOLBAR L1135 COMPLET LH	2	

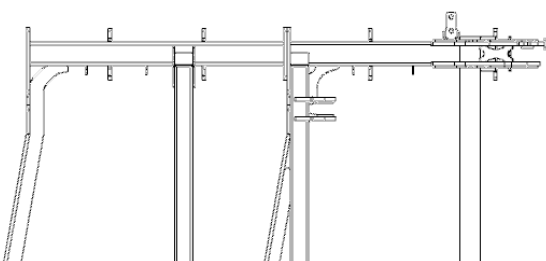
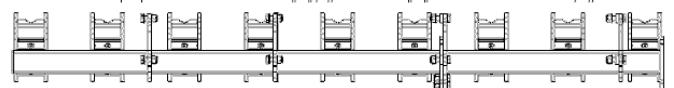
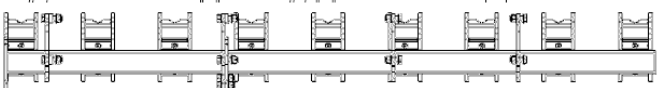
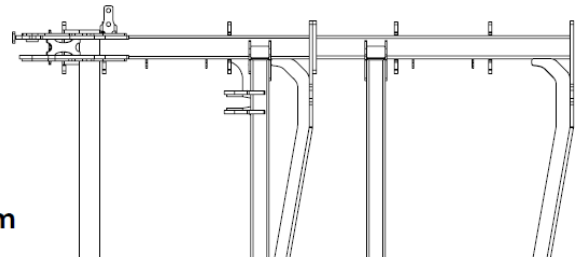
<b>No. ARTICLE</b>	<b>NUMERO DE PIECE</b>	<b>DESCRIPTION</b>	<b>QTE</b>	<b>TARIF</b>
1	S113.790RH	TOOLBAR L1505 COMPLET RH	2	
2	S113.790LH	TOOLBAR L1505 COMPLET LH	2	
3	S110.962RH	TOOLBAR L1135 COMPLET RH	2	
4	S110.962LH	TOOLBAR L1135 COMPLET LH	2	
5	S113.792RH	TOOLBAR L370 COMPLET RH	1	
6	S113.792LH	TOOLBAR L370 COMPLET LH	1	



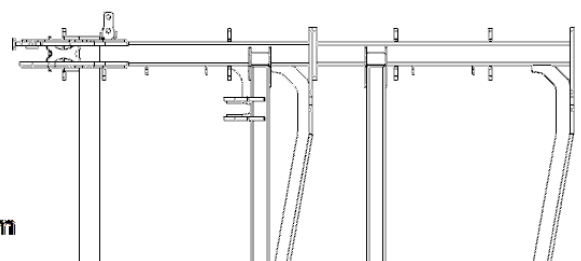
32R-18.75cm



36R-16.7cm



36R-16.7cm



<b>S113.788</b>	<b>TOOLBAR RH/LH</b>	<b>FR</b>	<b>03/2019</b>
-----------------	----------------------	-----------	----------------

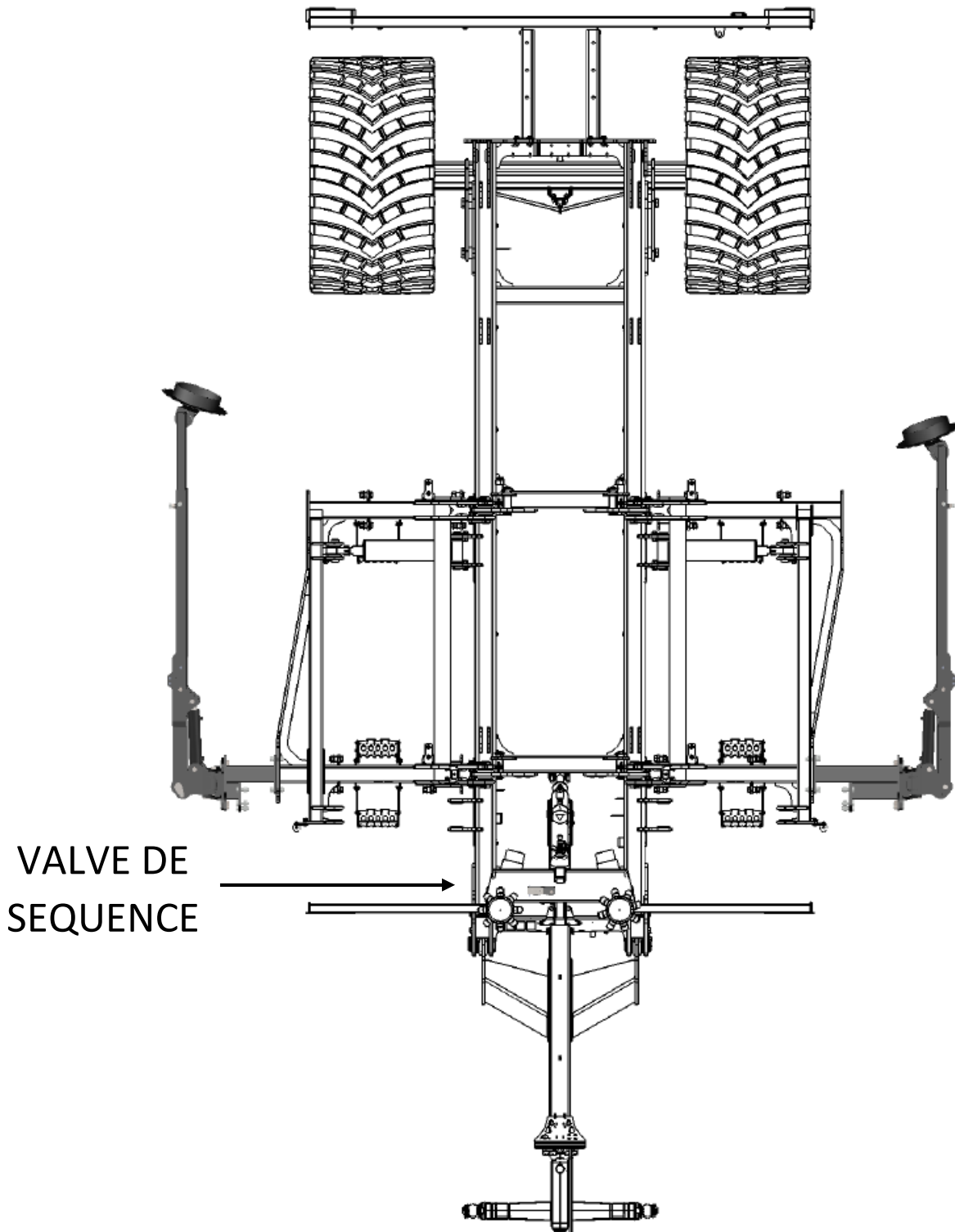
<b>No. ARTICLE</b>	<b>NUMERO DE PIECE</b>	<b>DESCRIPTION</b>	<b>QTE</b>	<b>TARIF</b>
1	S113.791RH	TOOLBAR L1875 COMPLET RH	2	
2	S113.791LH	TOOLBAR L1875 COMPLET LH	2	
3	S111.938RH	TOOLBAR L960RH COMPLET RH	2	
4	S111.938LH	TOOLBAR L960RH COMPLET LH	2	

<b>No. ARTICLE</b>	<b>NUMERO DE PIECE</b>	<b>DESCRIPTION</b>	<b>QTE</b>	<b>TARIF</b>
1	S113.791RH	TOOLBAR L1875 COMPLET RH	2	
2	S113.791LH	TOOLBAR L1875 COMPLET LH	2	
3	S111.938RH	TOOLBAR L960RH COMPLET RH	2	
4	S111.938LH	TOOLBAR L960RH COMPLET LH	2	

# **OPTIONS**

# **CHASSIS BOSS**

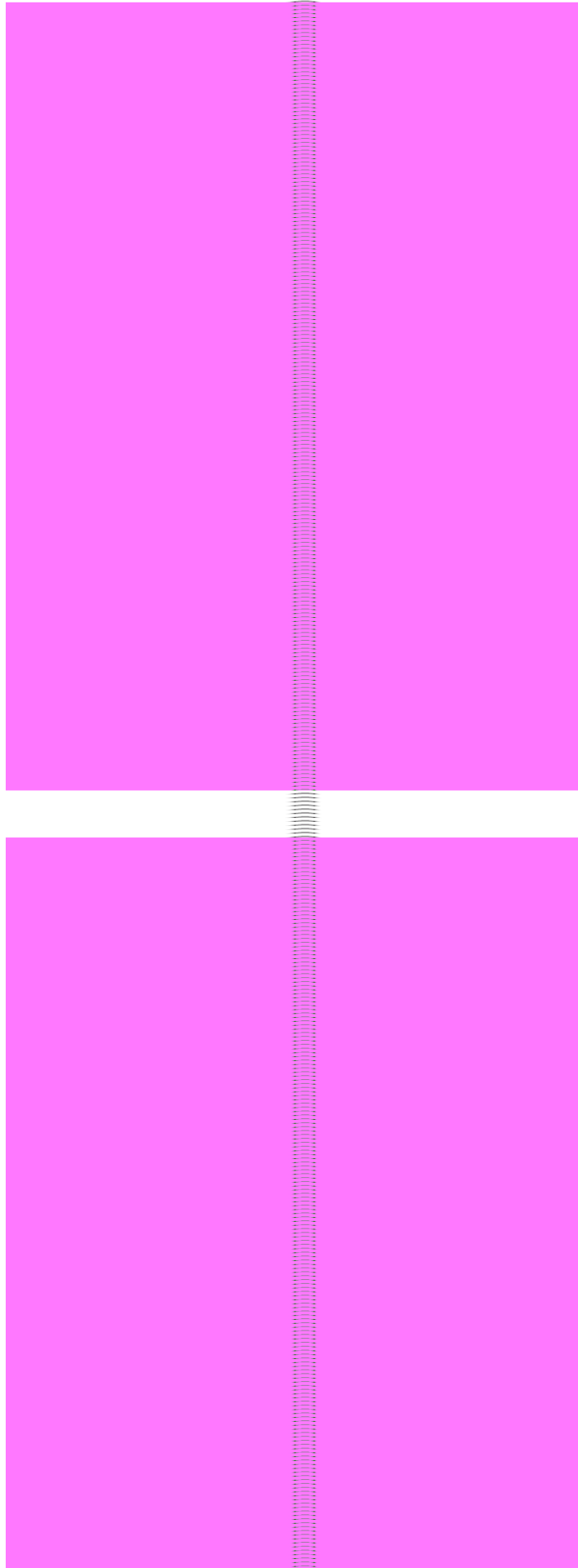
# OPTION TRACEURS





<b>S106.920RH</b>	<b>TRACEUR RH</b>	<b>FR</b>	<b>03/2019</b>
-------------------	-------------------	-----------	----------------

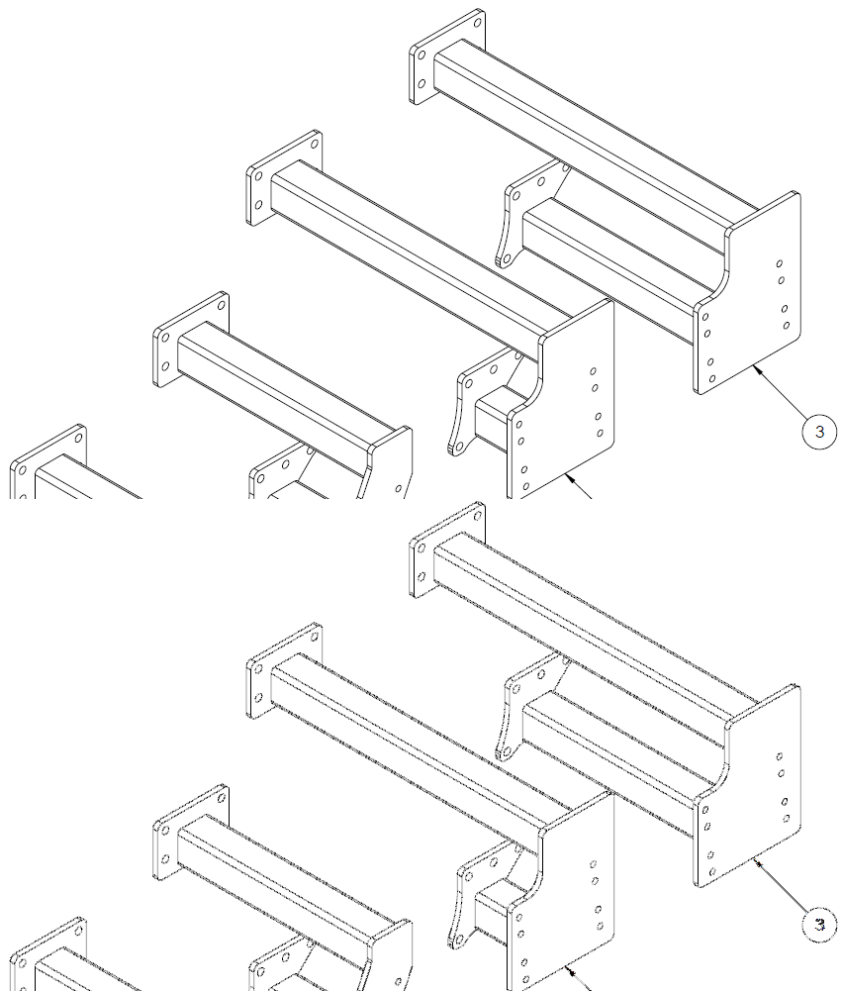
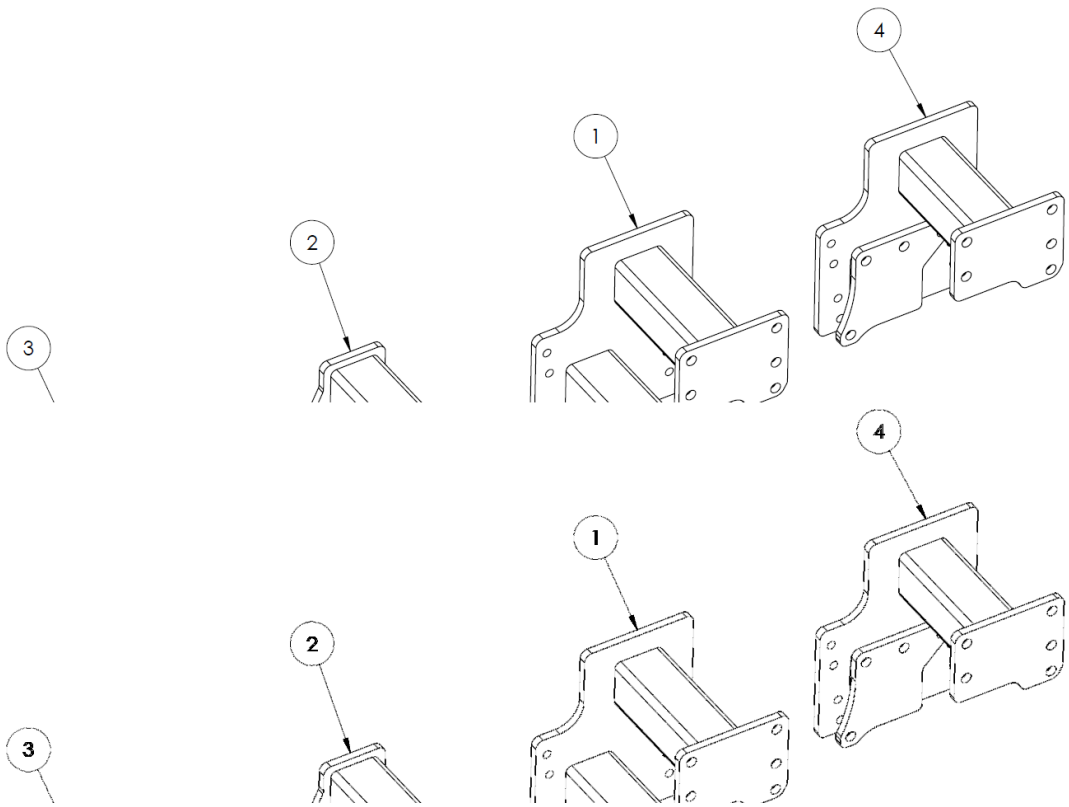
<b>No. ARTICLE</b>	<b>NUMERO DE PIECE</b>	<b>DESCRIPTION</b>	<b>QTE</b>	<b>TARIF</b>
1	S106.880RH	TETE PRINCIPALE	1	
2	S106.885	SUPPORT DE VERIN TRACEUR	1	
3	S106.891	BRAS PRINCIPAL TRACEUR	1	
4	S114.316	VERIN HYDRAULIQUE Ø70/35 S=200	1	
5	S103.577	GRAISSEUR M6 DROIT	2	
6	S106.893RH	BRAS SECONDAIRE RH	1	
7	S106.898	EXTENSION TRACEUR	1	
8	S106.904	SUPPORT DE DISQUE	1	
9	S106.908	MOYEU + DISQUE TRACEUR	1	
10	S100.282	RONDELLE PLATE Ø20	1	
11	S100.275	ECROU HEX FREIN M20 ZN	1	
12	S107.745	BOULON M20x50 ZN	1	
13	S100.501	BOULON M16x40 ZN	2	
14	S100.309	ECROU HEX M16 ZN	2	
15	S106.875	AXE TETE DE VERIN	1	
16	S106.945	BAGUE ACIER 30/34x30mm	4	
17	S100.105	AXE Ø24.8X123 ZN	1	
18	S100.335	CIRCLIP EXT Ø25 A2	4	
19	S106.916	AXE PIVOT PRINCIPAL	1	
20	S106.917	AXE PIVOT SECONDIARE	1	
21	S100.465	BOULON M12x40 ZN	2	
22	S100.279	ECROU HEX FREIN M12 ZN	2	
23	S100.401	BOULON M16x110 ZN	1	
24	S100.276	ECROU HEX FREIN M16 ZN	9	
25	S100.532	RONDELLE GROWER Ø20	1	
26	S100.460	BOULON M10x90 ZN	3	
27	S100.345	ECROU HEX FREIN M10 ZN	3	
28	S107.960	BOULON M16x50 ZN	8	





<b>S106.920LH</b>	<b>TRACEUR LH</b>	<b>FR</b>	<b>03/2019</b>
-------------------	-------------------	-----------	----------------

<b>No. ARTICLE</b>	<b>NUMERO DE PIECE</b>	<b>DESCRIPTION</b>	<b>QTE</b>	<b>TARIF</b>
1	S106.885	SUPPORT DE VERIN TRACEUR	1	
2	S106.891	BRAS PRINCIPAL TRACEUR	1	
3	S114.316	VERIN HYDRAULIQUE Ø70/35 S=200	1	
4	S103.577	GRAISSEUR M6 DROIT	2	
5	S106.893LH	BRAS SECONDAIRE LH	1	
6	S106.898	EXTENSION TRACEUR	1	
7	S106.904	SUPPORT DE DISQUE	1	
8	S106.908	MOYEU + DISQUE TRACEUR	1	
9	S100.282	RONDELLE PLATE Ø20	2	
10	S100.275	ECROU HEX FREIN M20 ZN	1	
11	S100.501	BOULON M16x40 ZN	2	
12	S100.309	ECROU HEX M16 ZN	2	
13	S106.875	AXE TETE DE VERIN	1	
14	S106.945	BAGUE ACIER 30/34x30mm	4	
15	S100.105	AXE Ø24.8X123 ZN	1	
16	S100.335	CIRCLIP EXT Ø25 A2	4	
17	S106.916	AXE PIVOT PRINCIPAL	1	
18	S106.917	AXE PIVOT SECONDAIRE	1	
19	S100.465	BOULON M12x40 ZN	2	
20	S100.279	ECROU HEX FREIN M12 ZN	2	
21	S100.401	BOULON M16x110 ZN	1	
22	S100.276	ECROU HEX FREIN M16 ZN	9	
23	S106.880LH	TETE PRINCIPALE	1	
24	S107.960	BOULON M16x50 ZN	8	
25	S100.460	BOULON M10x90 ZN	3	
26	S100.345	ECROU HEX FREIN M10 ZN	3	
27	S107.745	BOULON M20x50 ZN	1	

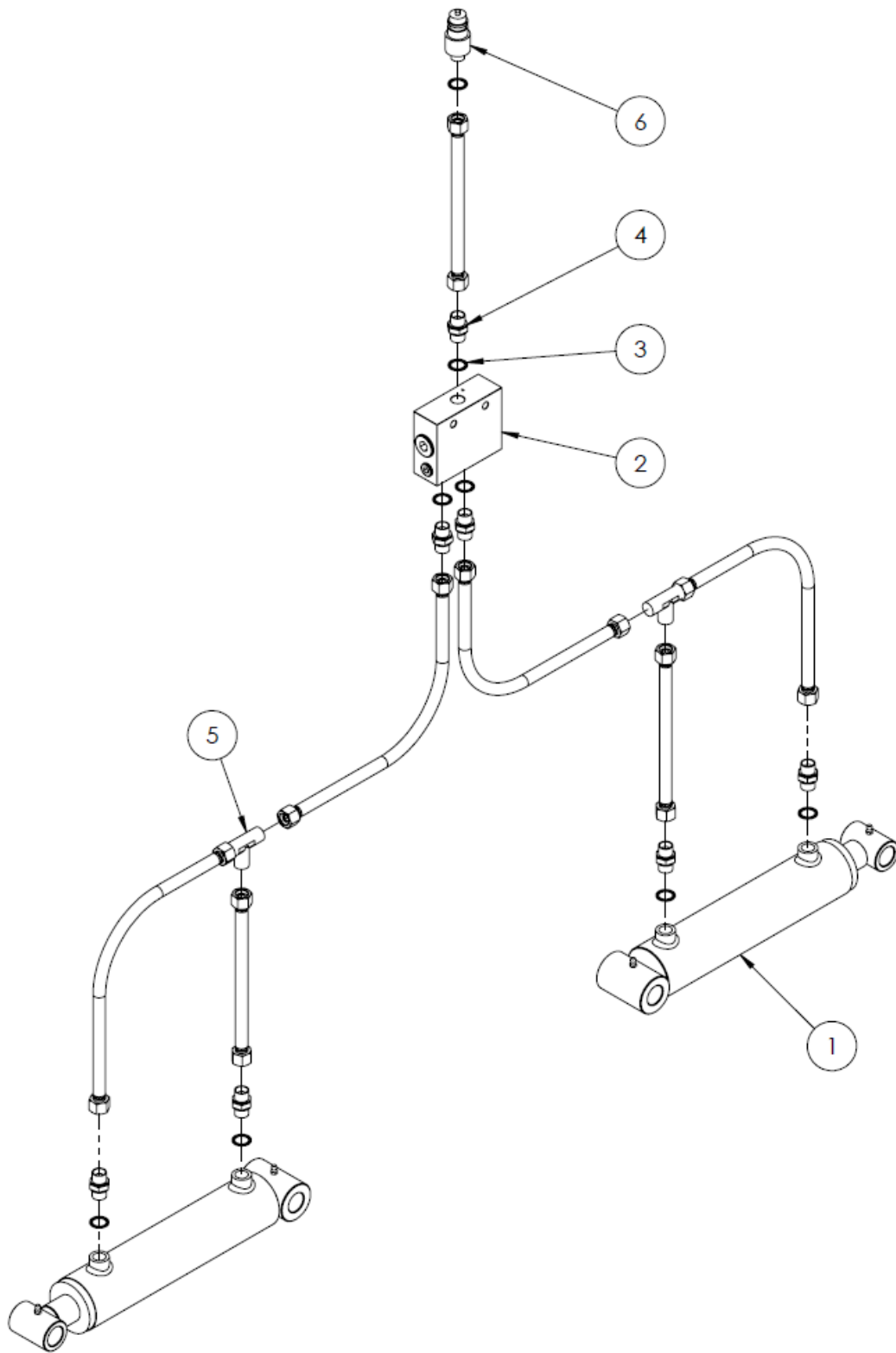


	<b>SUPPORT DE TRACEUR</b>	<b>FR</b>	<b>03/2019</b>
--	---------------------------	-----------	----------------

No. ARTICLE	NUMERO DE PIECE	DESCRIPTION	QTE	TARIF
1	S115.219	SUPPORT TRACEUR L=340 RH	1	
2	S112.897	SUPPORT TRACEURS 4m RH	1	
3	S114.294	SUPPORT TRACEUR L=855 RH	1	
4	S113.837	SUPPORT TRACEUR L=310 RH	1	

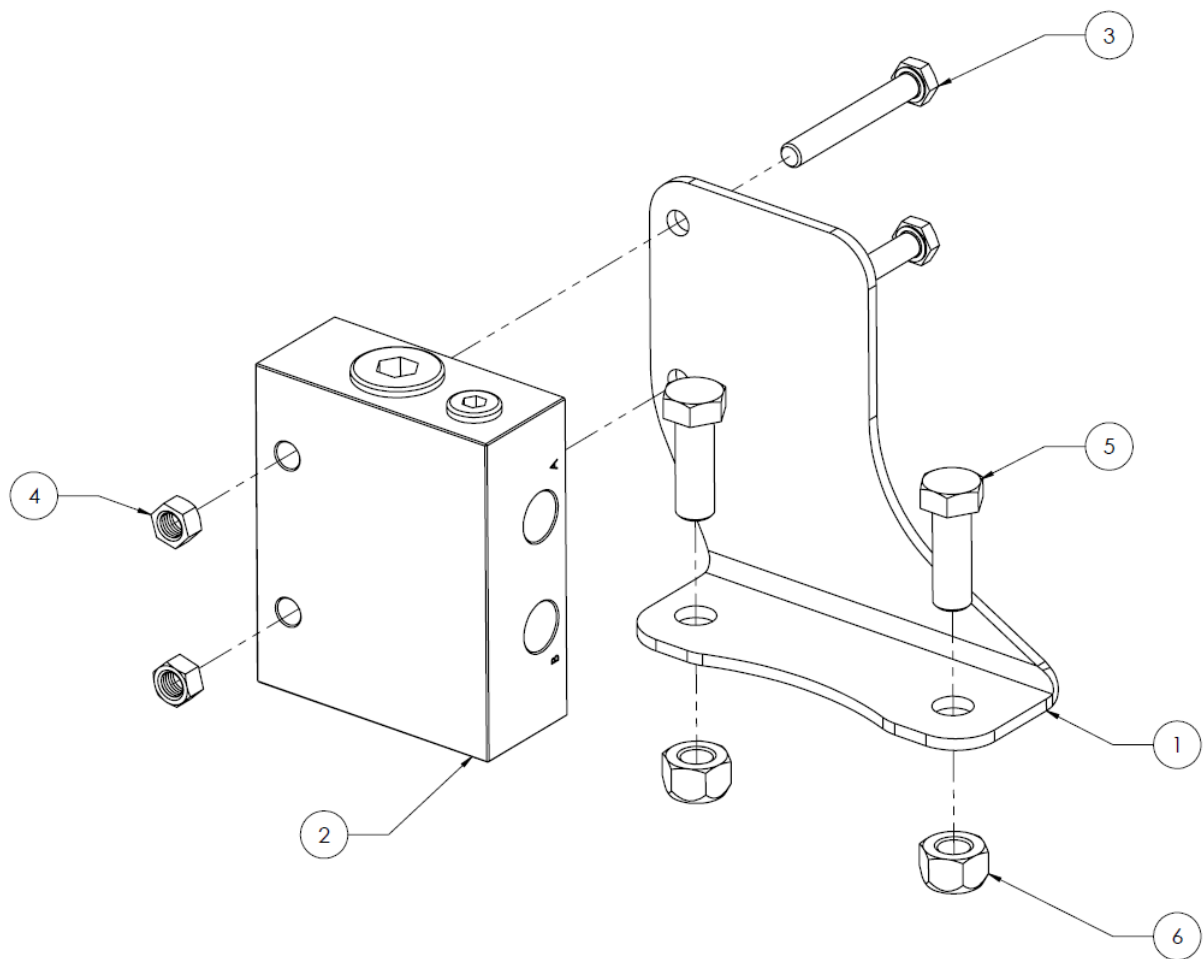
No. ARTICLE	NUMERO DE PIECE	DESCRIPTION	QTE	TARIF
5	S113.838	SUPPORT TRACEUR L=506 LH	1	
6	S115.218	SUPPORT TRACEUR L=515 LH	1	
2	S112.894	SUPPORT TRACEURS 7m LH	1	
4	S114.290	SUPPORT TRACEUR L=955 LH	1	
1	S115.224	SUPPORT TRACEUR L=515 LH	1	
3	S115.226	SUPPORT TRACEUR L=1030 LH	1	

CONFIGURATION	RH	LH
12R-25cm	S115.219	S115.224
16R-18,75cm	S115.219	S115.224
18R-16,7cm	S115.219	S115.224
20R-20cm	S112.897	S112.894
22R-18,75cm	S114.294	S115.226
24R-16,7cm	S112.897	S112.894
24R-18,75cm	S114.294	S114.290
24R-25cm	S113.837	S113.838
28R-20cm	S115.219	S115.224
28R-25cm	S114.294	S114.290
30R-16,7cm	S115.219	S115.224
30R-20cm	S115.219	S115.218
32R-18,75cm	S113.837	S113.838
36R-16,7cm	S113.837	S113.838



	<b>CIRCUIT HYDRAULIQUE TRACEURS</b>	<b>FR</b>	<b>03/2019</b>
--	-------------------------------------	-----------	----------------

<b>No. ARTICLE</b>	<b>NUMERO DE PIECE</b>	<b>DESCRIPTION</b>	<b>QTE</b>	<b>TARIF</b>
1	S114.316	VERIN HYDRAULIQUE Ø70/35 S=200	2	
2	S101.950	VALVE DE SEQUENCE	1	
3	S100.429	JOINT HYDRAULIQUE Ø17mm	8	
4	S101.952	ADAPTATEUR MALE 3/8BSP - MALE 3/8BSP	7	
5	S112.435	TE M/M/M 3/8" BSP	2	
6	S110.491	PUSH PULL MALE MALE	1	



<b>S108.102</b>	<b>BLOC HYDRAULIQUE TRACEUR</b>	<b>FR</b>	<b>03/2019</b>
-----------------	---------------------------------	-----------	----------------

<b>No. ARTICLE</b>	<b>NUMERO DE PIECE</b>	<b>DESCRIPTION</b>	<b>QTE</b>	<b>TARIF</b>
1	S106.923	SUPPORT VALVE DE SEQUENCE	1	
2	S101.950	VALVE DE SEQUENCE	1	
3	S100.451	BOULON M8x60 ZN	2	
4	S100.280	ECROU HEX FREIN M8 ZN	2	
5	S100.267	BOULON M12x35 ZN	2	
6	S100.279	ECROU HEX FREIN M12 ZN	2	

# OPTIONS HYDRAULIQUE



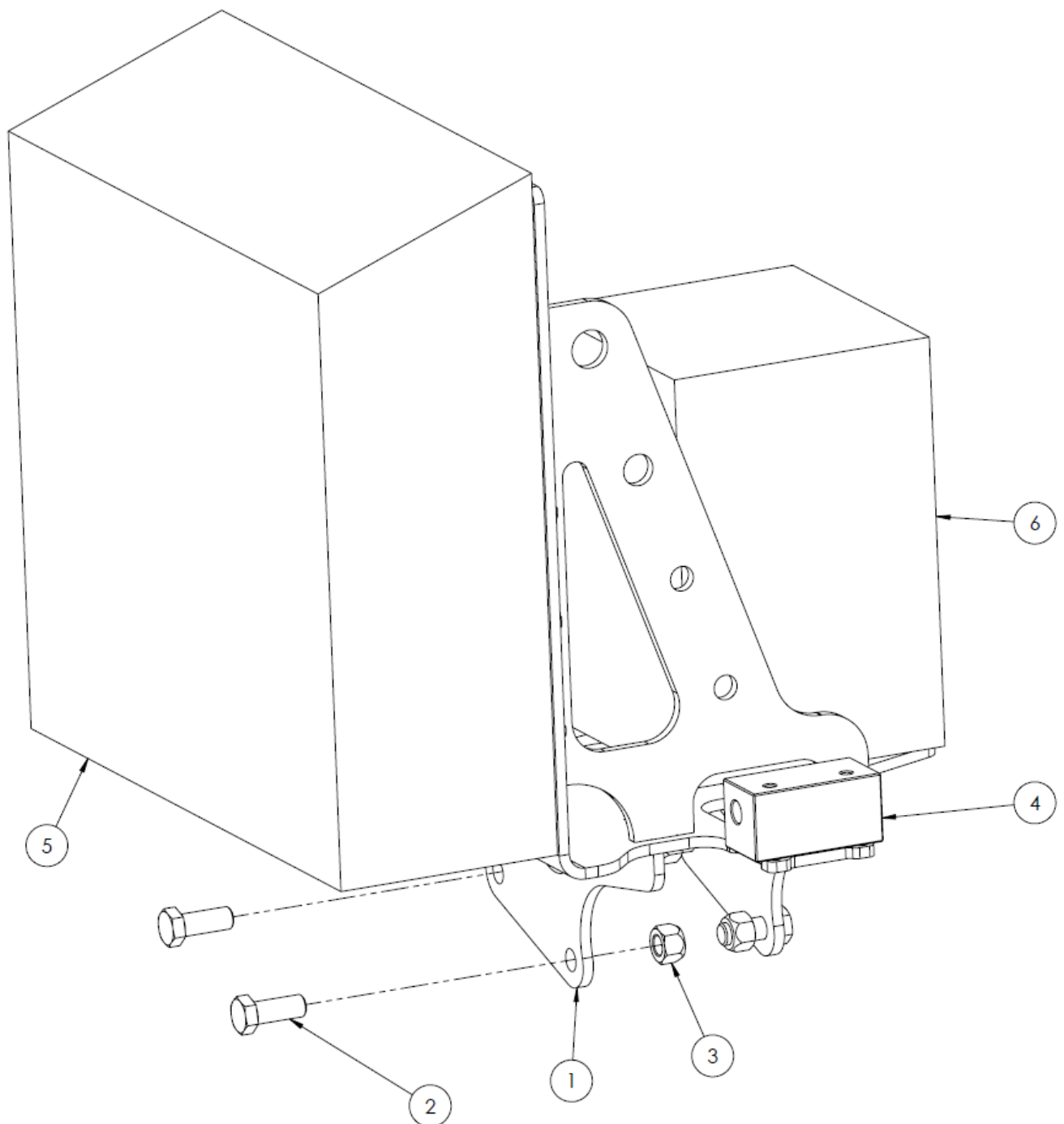
CETOP



CENTRALE  
HYDRAULIQUE

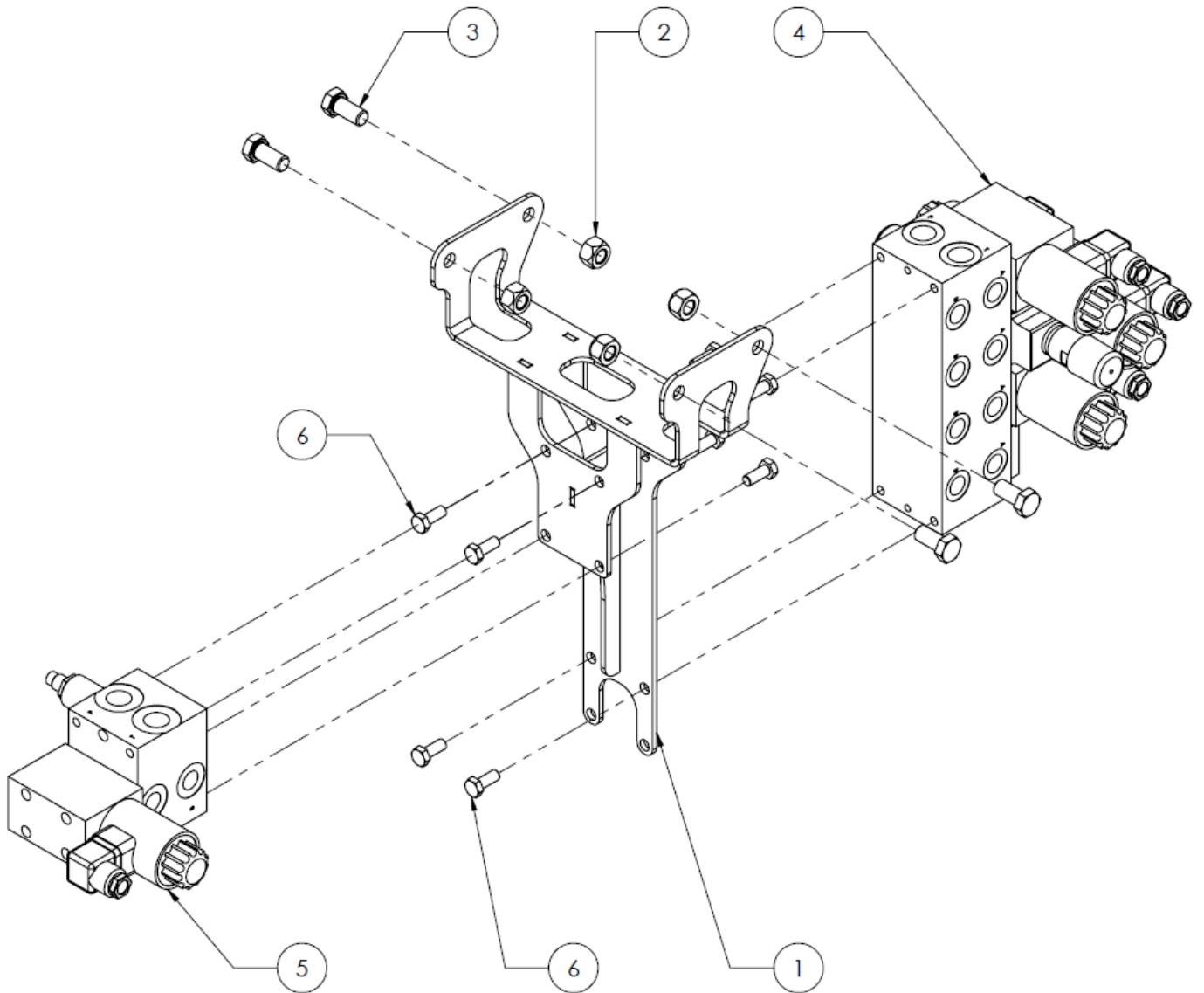






<b>S113.595</b>	<b>CENTRALE HYDRAULIQUE</b>	<b>FR</b>	<b>03/2019</b>
-----------------	-----------------------------	-----------	----------------

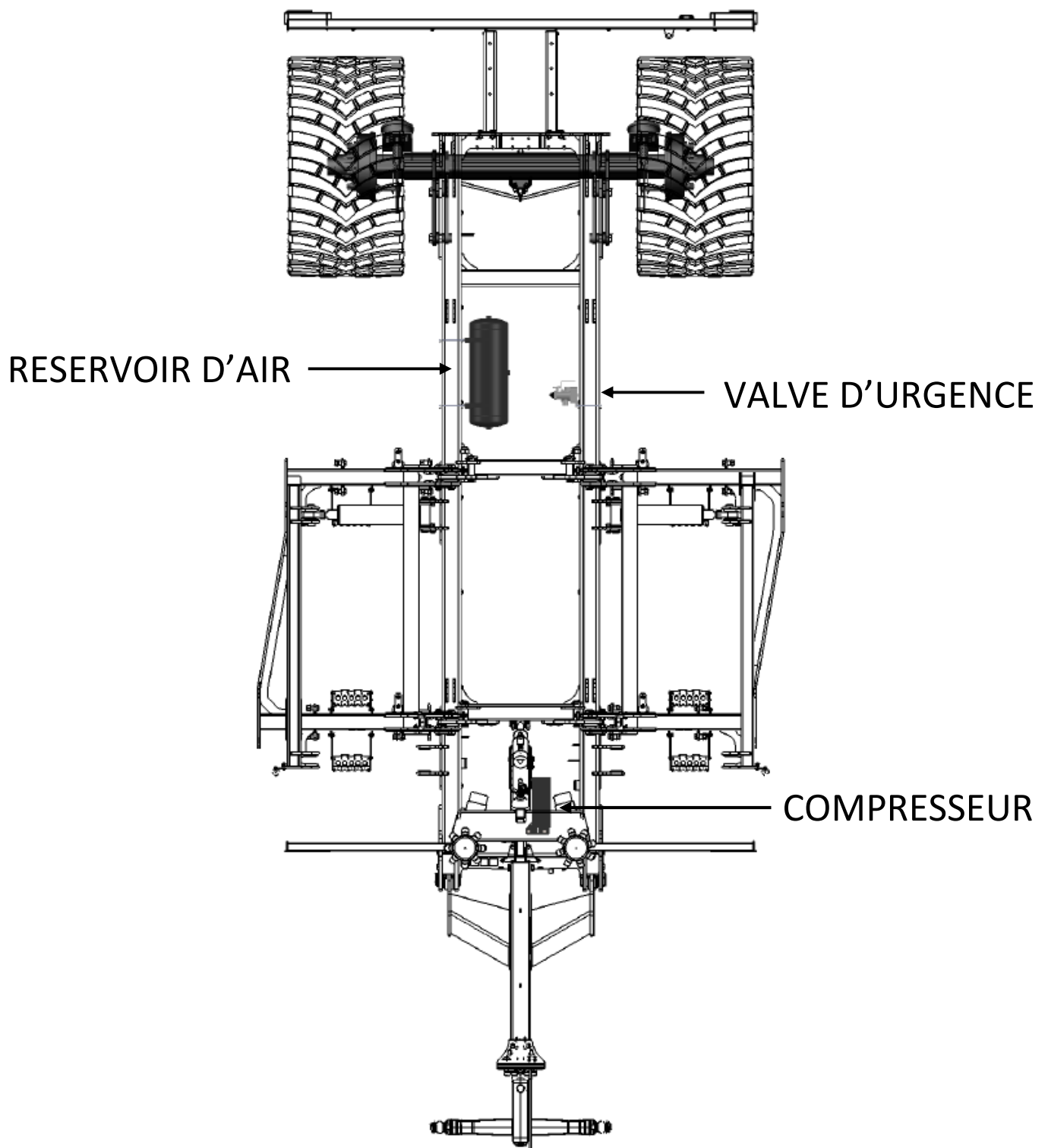
<b>No. ARTICLE</b>	<b>NUMERO DE PIECE</b>	<b>DESCRIPTION</b>	<b>QTE</b>	<b>TARIF</b>
1	S112.337	SUPPORT CENTRALE HYDRAULIQUE BOSS	1	
2	S100.501	BOULON M16x40 ZN	4	
3	S100.276	ECROU HEX FREIN M18 ZN	4	
4		REGULATEUR DE DEBIT	1	
5		RESERVOIR	1	
6		RADIATEUR	1	

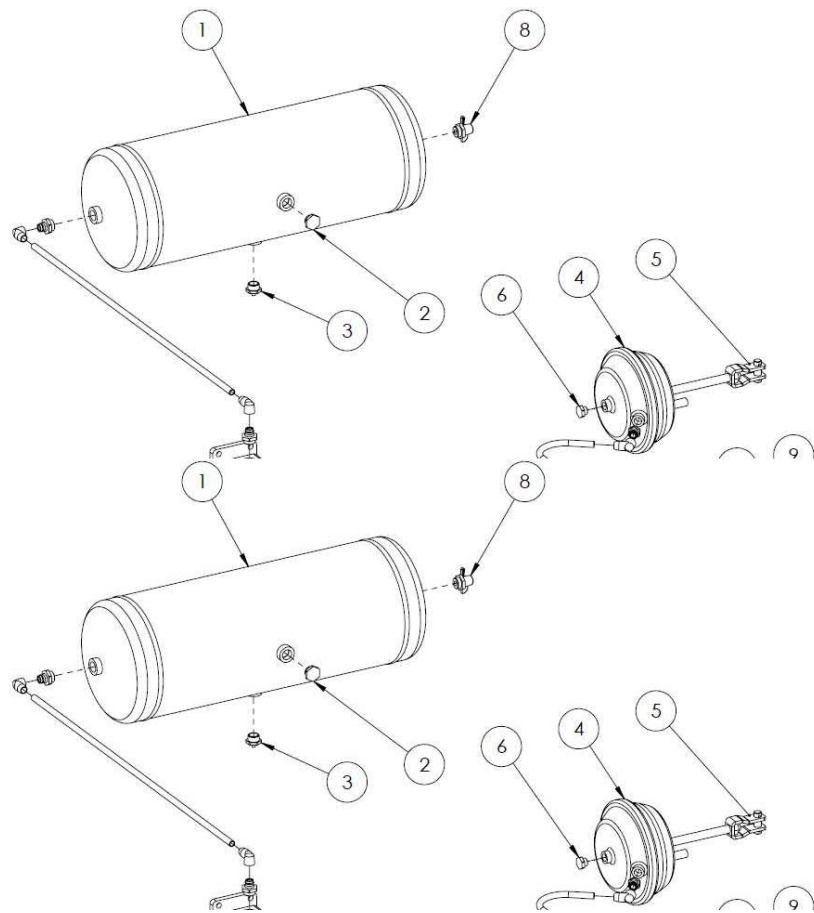


<b>S113.625</b>	<b>CETOP</b>	<b>FR</b>	<b>03/2019</b>
-----------------	--------------	-----------	----------------

<b>No. ARTICLE</b>	<b>NUMERO DE PIECE</b>	<b>DESCRIPTION</b>	<b>QTE</b>	<b>TARIF</b>
1	S112.537	SUPPORT CETOP BOSS	1	
2	S100.279	ECROU HEX FREIN M12 ZN	4	
3	S100.495	BOULON M12x25 ZN	4	
4	S112.488	CETOP 4 FONCTIONS BOSS	1	
5	S112.489	BLOC CETOP 1 FOCNTION BOSS	1	
6	S111.768	BOULON M8x20 ZN	8	

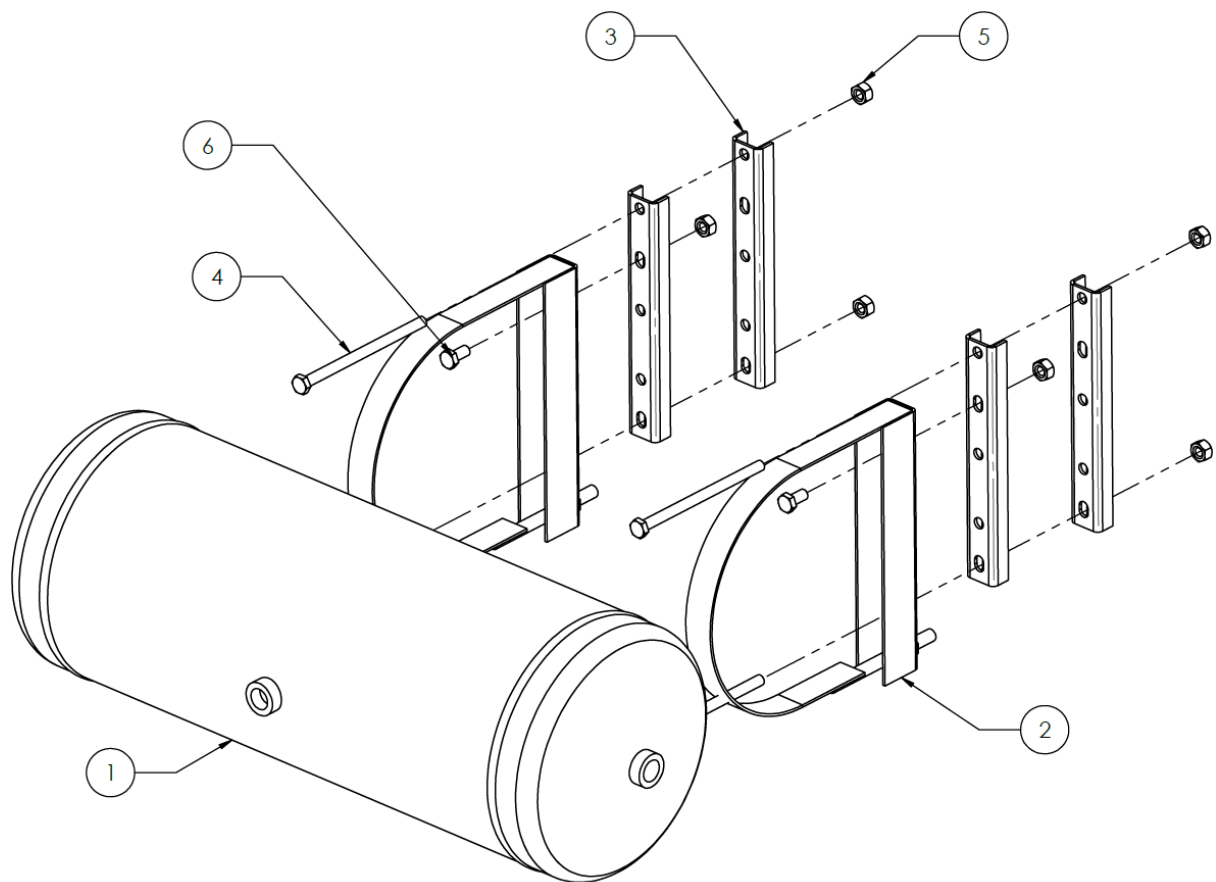
# OPTIONS PNEUMATIQUE





<b>S115.290</b>	<b>FREINAGE PNEUMATIQUE</b>	<b>FR</b>	<b>03/2019</b>
-----------------	-----------------------------	-----------	----------------

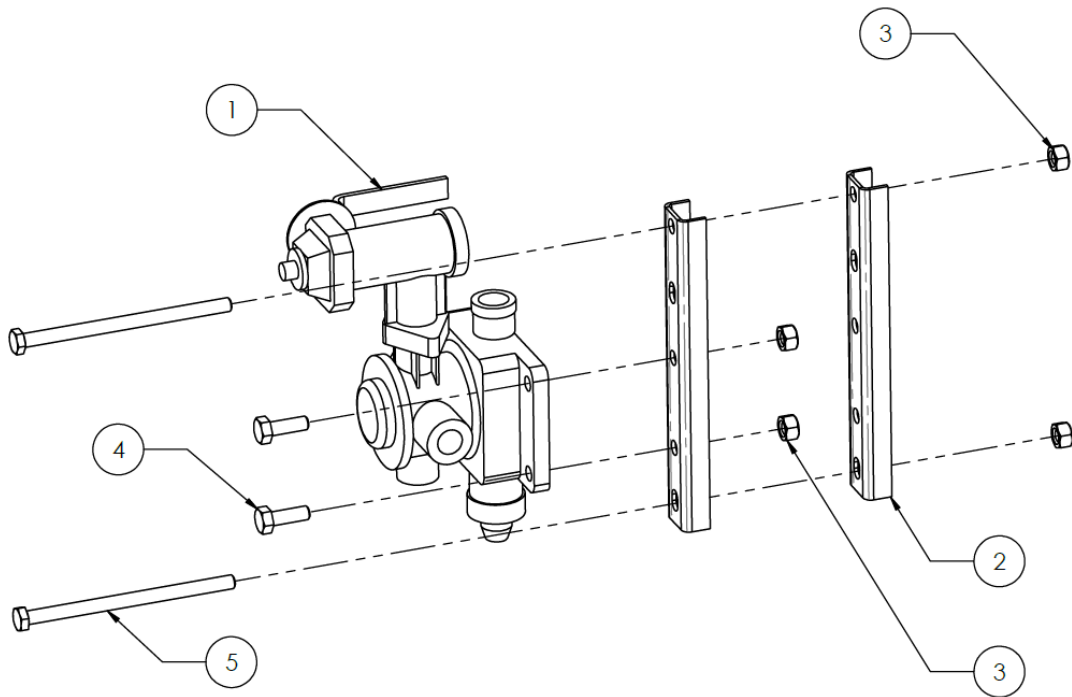
<b>No. ARTICLE</b>	<b>NUMERO DE PIECE</b>	<b>DESCRIPTION</b>	<b>QTE</b>	<b>TARIF</b>
1	S105.288	RESERVOIR 30L Ø250mm	1	
2	S115.289	BOUCHON M22x1.5	1	
3	S105.287	VALVE DE PURGE	1	
4	S105.280	VASE A DIAPHRAGME T30	2	
5	S105.279	FIXATION VASE T30	2	
6	S115.288	BOUCHON M16x1.5	2	
7	S105.293	VALVE RELAIS D'URGENCE + ROBINET	1	
8	S105.283	PRISE DE PRESSION M22x150	1	
9	S115.296	CONNECTEUR M16x1.5 P5	2	
10	S115.297	CONNECTEUR COUDE P5 Ø12	7	
11	S115.298	CONNECTEUR M22x1.5 P5	5	
12	S115.299	CONNECTEUR TE	1	
13	S115.304	FLEXIBLE PNEUMATIQUE RESERVE	1	
14	S105.286	PLAQUE INDICATRICE "RESERVOIR"	1	
15	S105.292	TETE D'ACCOUPLMENT ROUGE + FILTRE	1	
16	S115.306	FLEXIBLE PNEUMATIQUE FREIN	1	
17	S105.285	PLAQUE INDICATRICE "FREIN"	1	
18	S105.291	TETE D'ACCOUPLMENT JAUNE + FILTRE	1	
19	S115.307	RACCORD M16 ♀♀	2	
20	S115.287	CONNECTEUR M16	2	
21	S115.308	COLLIER Ø13	2	





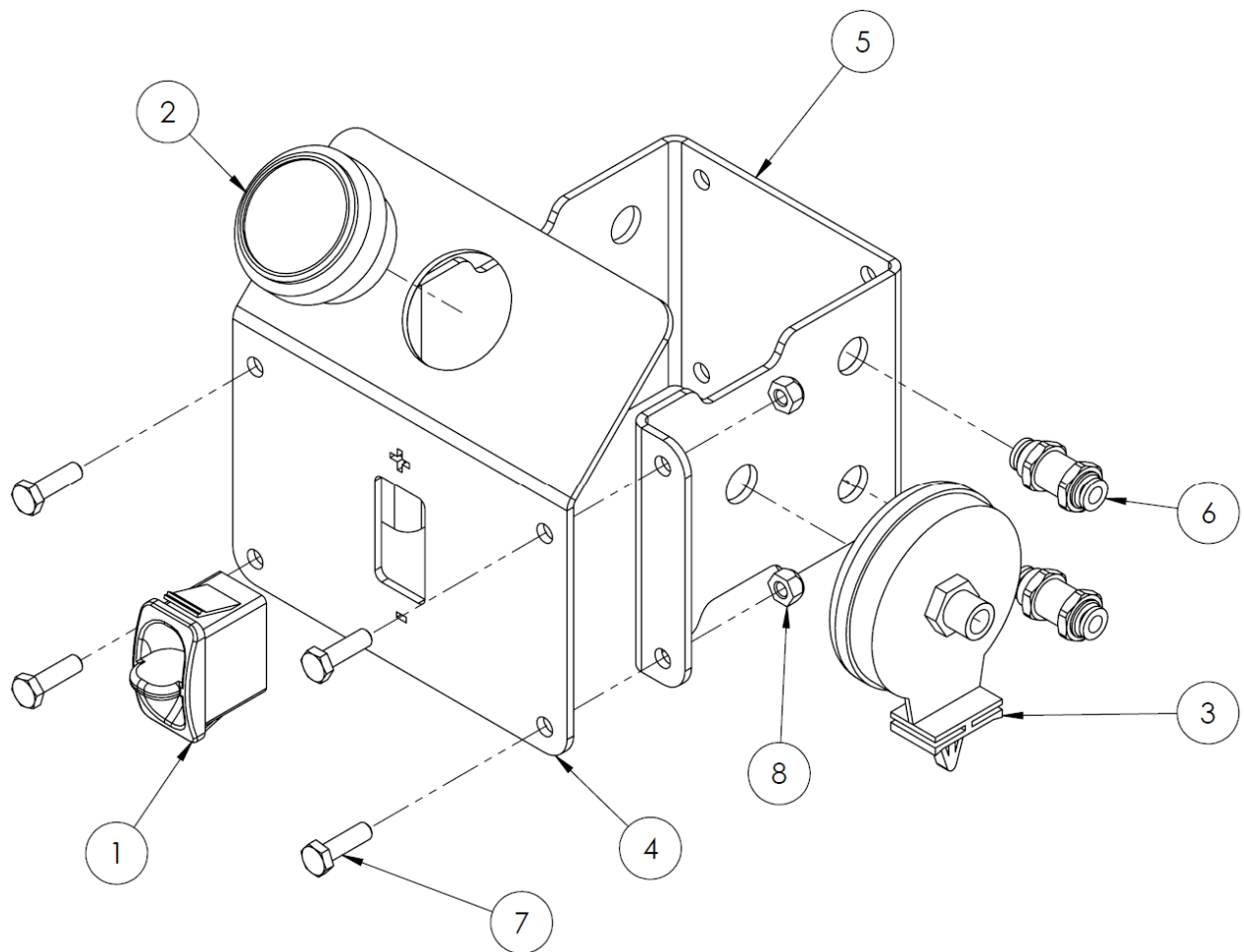
<b>S115.273</b>	<b>KIT RESERVOIR</b>	<b>FR</b>	<b>03/2019</b>
-----------------	----------------------	-----------	----------------

<b>No. ARTICLE</b>	<b>NUMERO DE PIECE</b>	<b>DESCRIPTION</b>	<b>QTE</b>	<b>TARIF</b>
1	S105.288	RESERVOIR 30L Ø250mm	1	
2	S105.281	SUPPORT RESERVOIR Ø246-250mm	2	
3	S115.271	SUPPORT RESERVOIR	4	
4	S115.272	BOULON M10x160 ZN	4	
5	S100.345	ECROU HEX FREIN M10 ZN	6	
6	S115.274	BOULON M10x20 ZN	2	



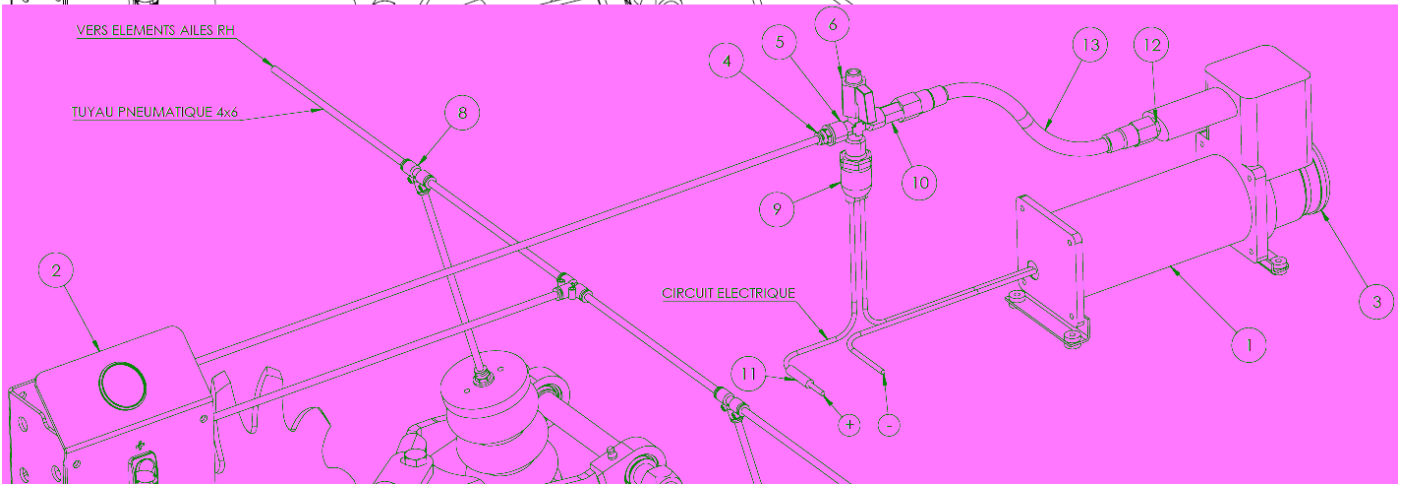
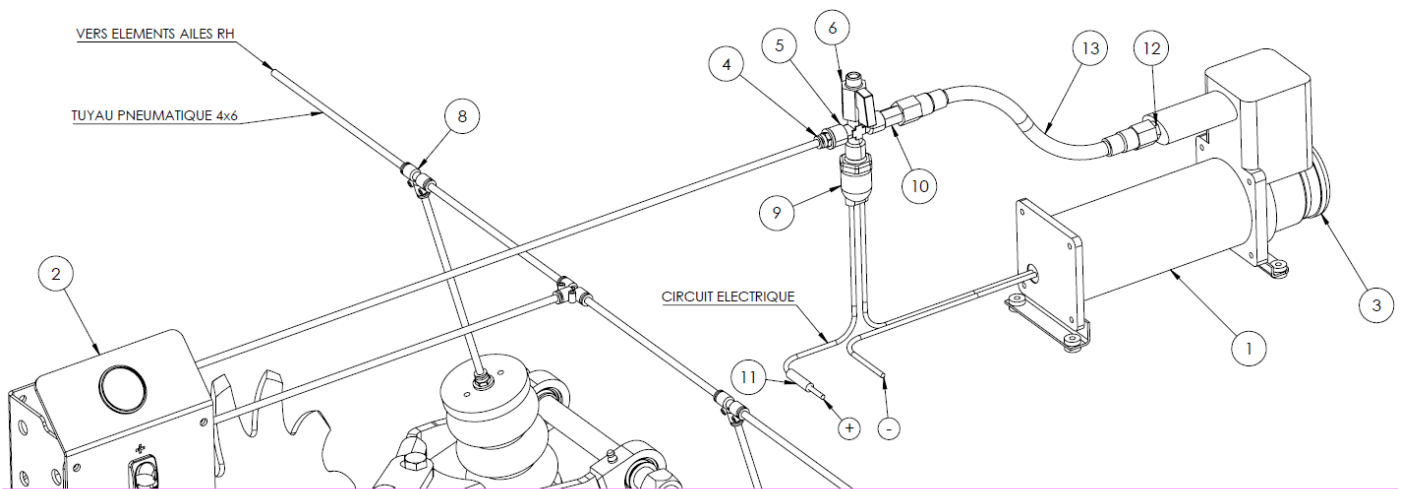
<b>S115.276</b>	<b>VALVE + SUPPORT</b>	<b>FR</b>	<b>03/2019</b>
-----------------	------------------------	-----------	----------------

<b>No. ARTICLE</b>	<b>NUMERO DE PIECE</b>	<b>DESCRIPTION</b>	<b>QTE</b>	<b>TARIF</b>
1	S105.293	VALVE RELAIS D'URGENCE + ROBINET	1	
2	S115.271	SUPPORT RESERVOIR	2	
3	S100.345	ECROU HEX FREIN M10 ZN	4	
4	S100.270	BOULON M10x30 ZN	2	
5	S115.272	BOULON M10x160 ZN	2	



<b>S111.349</b>	<b>BOITIER DE CONTROL CHASSE DEBRIS</b>	<b>FR</b>	<b>03/2019</b>
-----------------	---	-----------	----------------

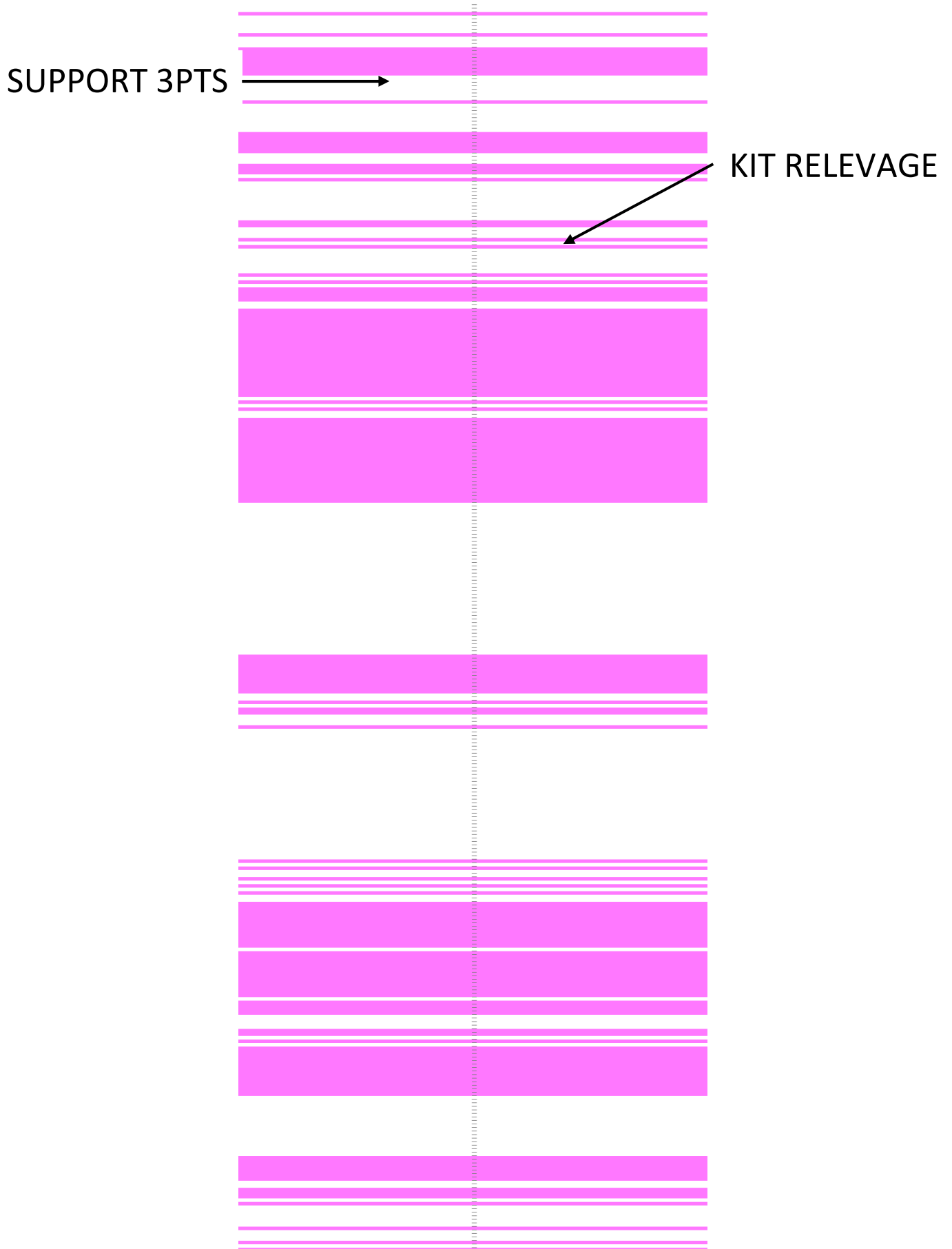
<b>No. ARTICLE</b>	<b>NUMERO DE PIECE</b>	<b>DESCRIPTION</b>	<b>QTE</b>	<b>TARIF</b>
1	GT 3-2 valve	VANNE PNEUMATIQUE	1	
2		MANOMETRE 0-12bar	1	
3	S111.342	FILTRE A AIR	1	
4	S111.346	PLAQUE	1	
5	S111.347	PLAQUE	1	
6	2L11003	PASSE CLOISON 6mm	2	
7	S100.487	BOULON M6x20 ZN	4	
8	S107.400	ECROU HEX FREIN M6 ZN	4	



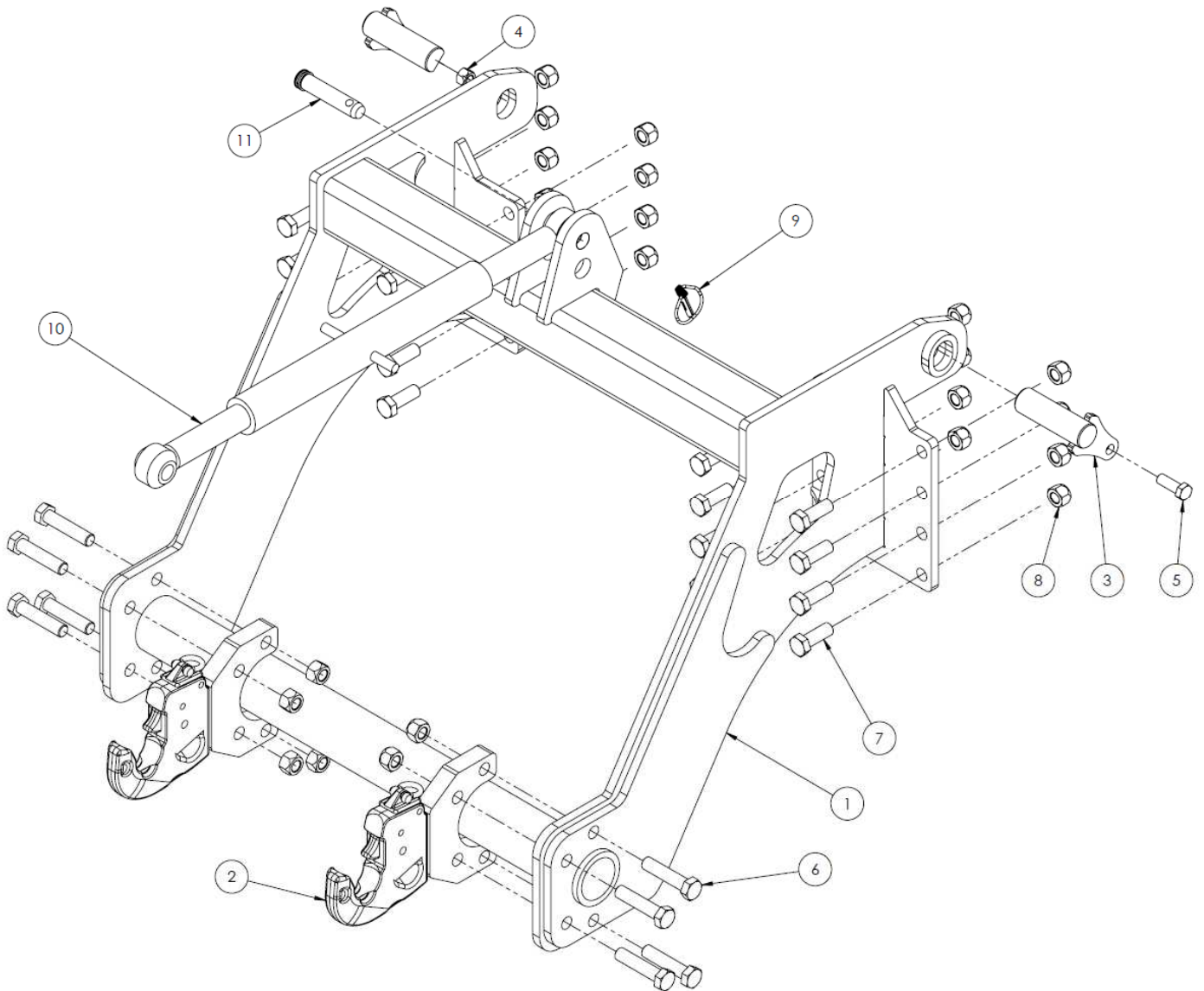
	<b>CIRCUIT PNEUMATIQUE CHASSE DEBRIS</b>	<b>FR</b>	<b>03/2019</b>
--	--	-----------	----------------

<b>No. ARTICLE</b>	<b>NUMERO DE PIECE</b>	<b>DESCRIPTION</b>	<b>QTE</b>	<b>TARIF</b>
1	S111.341	COMPRESSEUR	1	
2	S111.349	BOITIER DE CONTROL	1	
3	S111.342	FILTRE A AIR	1	
4	S100.328	RACCORD PNEUMATIQUE DROIT	1/E	
5	S102.290	CROIX ♂♀♀ 1/4-1/4	1	
6	S102.296	VANNE 1/4 ♂♀	1	
7	S100.349	POUMON	1/E	
8	S102.292	RACCORD RAPIDE TE Ø6	1/E	
9	S115.254	PRESSOSTAT	1	
10	S115.334	CLAPET ANTI-RETOUR	1	
11	S115.335	FUSIBLE 30 A	1	
12	S115.336	RACCORD ♂♂ PNEUMATIQUE	1	
13	S115.339	TUYAU COMPRESSEUR	1	

# OPTIONS FIXATIONS

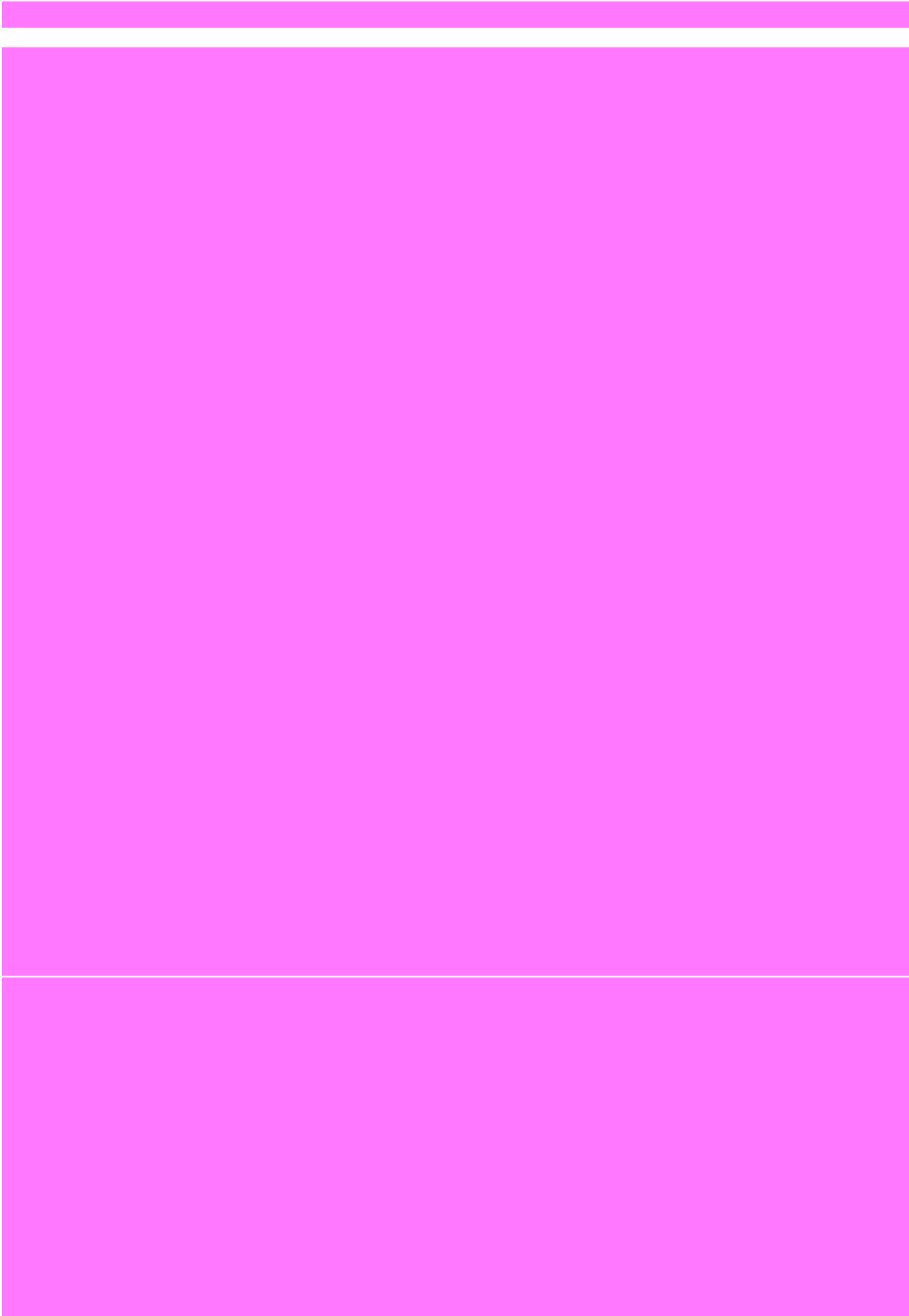






<b>S112.796</b>	<b>SUPPORT 3PTS</b>	<b>FR</b>	<b>03/2019</b>
-----------------	---------------------	-----------	----------------

<b>No. ARTICLE</b>	<b>NUMERO DE PIECE</b>	<b>DESCRIPTION</b>	<b>QTE</b>	<b>TARIF</b>
1	S112.789	SUPPORT 3 POINT CAT.3/3N	1	
2	S108.825	CROCHET CAT.3	2	
3	S111.919	AXE DE VERIN COMPLET	2	
4	S100.276	ECROU HEX FREIN M16 ZN	1	
5	S107.975	BOULON M16x45 ZN	1	
6	S100.255	BOULON M20x90 ZN	8	
7	S103.080	BOULON M20x55 ZN	16	
8	S100.275	ECROU HEX FREIN M20 ZN	24	
9	S103.580	GOUPILLE FERMETURE A RESSORT Ø10x55mm	1	
10	S102.119	3PTS CAT.2 630-860mm	1	
11	S100.361	AXE Ø25x95mm ZN	1	

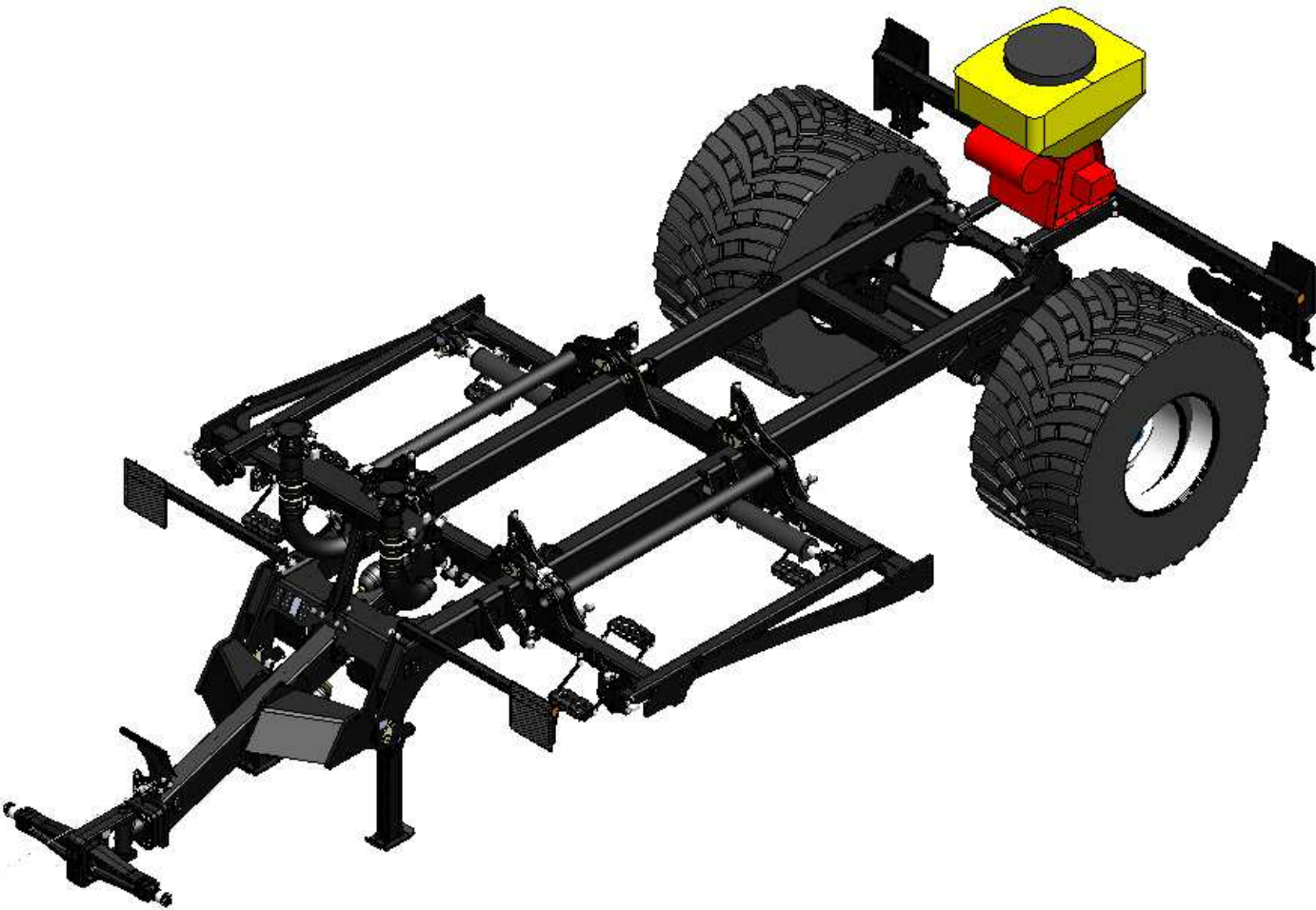


<b>S113.764</b>	<b>KIT RELEVAGE</b>	<b>FR</b>	<b>03/2019</b>
-----------------	---------------------	-----------	----------------

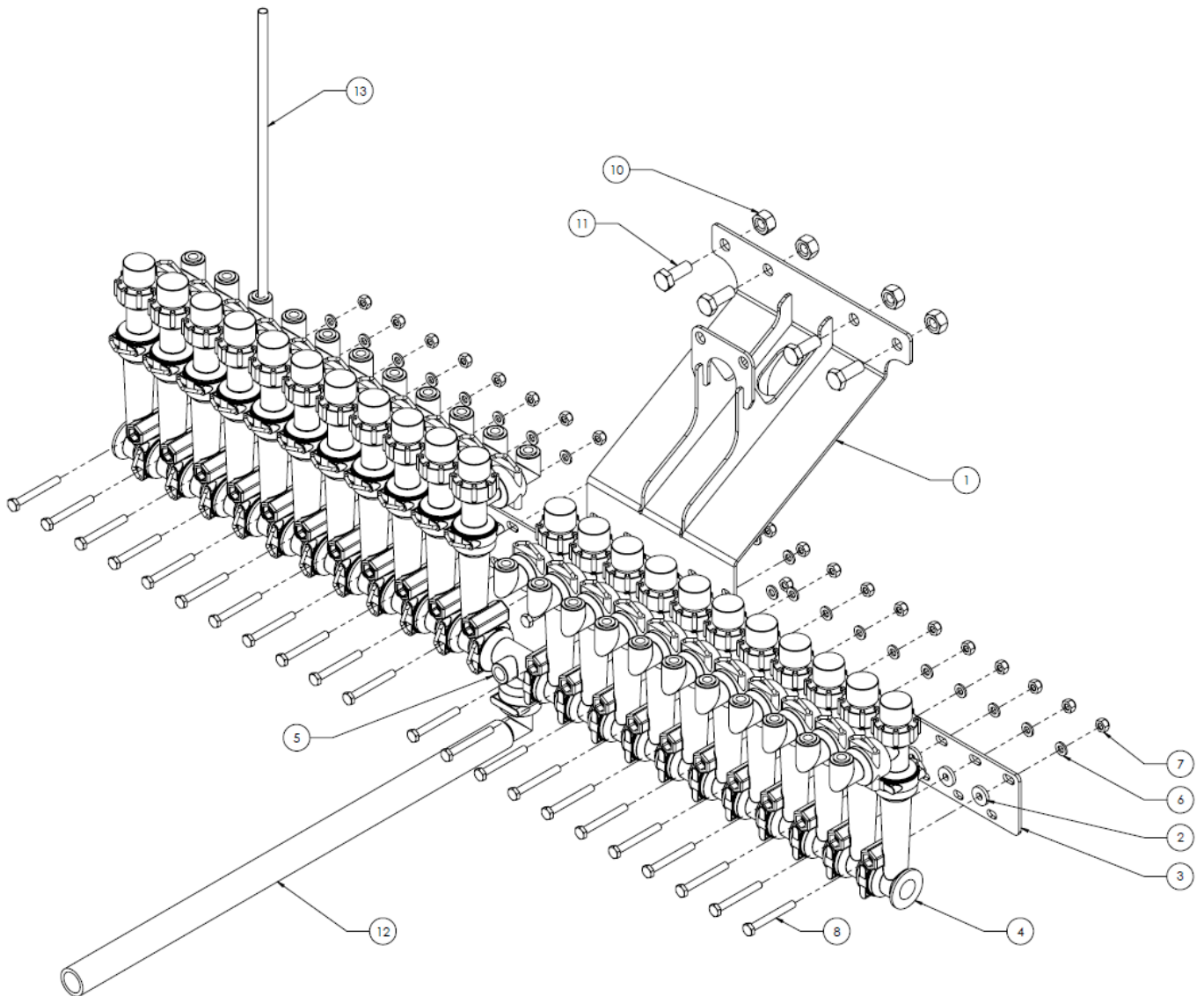
<b>No. ARTICLE</b>	<b>NUMERO DE PIECE</b>	<b>DESCRIPTION</b>	<b>QTE</b>	<b>TARIF</b>
1	S113.749	SUPPORT KIT RELEVAGE	1	
2	S108.814	HITCH BACK	1	
3	S108.825	CROCHET CAT.3	2	
4	S100.254	BOULON M20x110 ZN	8	
5	S100.275	ECROU HEX FREIN M20 ZN	24	
6	S109.641	VERIN HFR2S1000500400	2	
7	S106.186	AXE Ø37x135mm ZN	2	
8	S108.867	PIN Ø30X115mm	2	
9	S107.252	BARRE DE POUSSEE CAT.3 670-890MM	1	
10	S101.588	AXE Ø32x125mm ZN	1	
11	S108.869	PIN Ø30X195mm	2	
12	S107.960	BOULON M16x50 ZN	4	
13	S113.759	SUPPORT PRISE BATI RH	2	
14	S109.590	BOULON M20x55 ZN	16	
15	S110.071	AXE Ø40x100mm	2	
16	S107.790	PLAQUE FIXATION AXE Ø40mm	2	
17	S107.975	BOULON M16x45 ZN	2	
18	S113.768	PLAQUE	4	
19	S100.477	BOULON M16x60 ZN	4	
20	S100.276	ECROU HEX FREIN M16 ZN	4	
21	S103.580	GOUPILLE FERMETURE A RESSORT Ø10x55mm	3	
22	S113.775LH	RAMPE DE FEUX ARR LH	1	
23	S111.555	FEU ARRIERE LED	2	
24	S111.576	SUPPORT DE TRIANGLE	2	
25	S107.398	REFLECTEUR TRIANGLE	2	
26	S102.754	WARNING SIGN STICKER 282X282mm	2	
27	S100.465	BOULON M12x40 ZN	8	
28	S100.527	RONDELLE PLATE Ø6	4	
29	S107.400	ECROU HEX FREIN M6 ZN	4	
30	S113.059	BOULON CHC M5x16 ZN	4	
31	S100.518	ECROU HEX FREIN M5	4	
32	S100.491	BOULON M8x20 ZN	4	
33	S100.280	ECROU HEX FREIN M8 ZN	4	
34	S107.397	CATADIOPTRE Ø60 ADHESIF ORANGE	2	
35	S113.775RH	RAMPE DE FEUX ARR	1	
36	S100.279	ECROU HEX FREIN M12 ZN	8	
37	S113.175	DISQUE 25Km/h	1	
38	S113.572	BOULON CHC M4x30 ZN	2	
39	S113.323	FEUX PLAQUE	1	
40	S111.575	SUPPORT DE PLAQUE	1	
41	S100.525	RONDELLE PLATE Ø4	2	
42	S100.342	ECROU HEX FREIN M4 ZN	2	

# OPTIONS APV

APV PS120



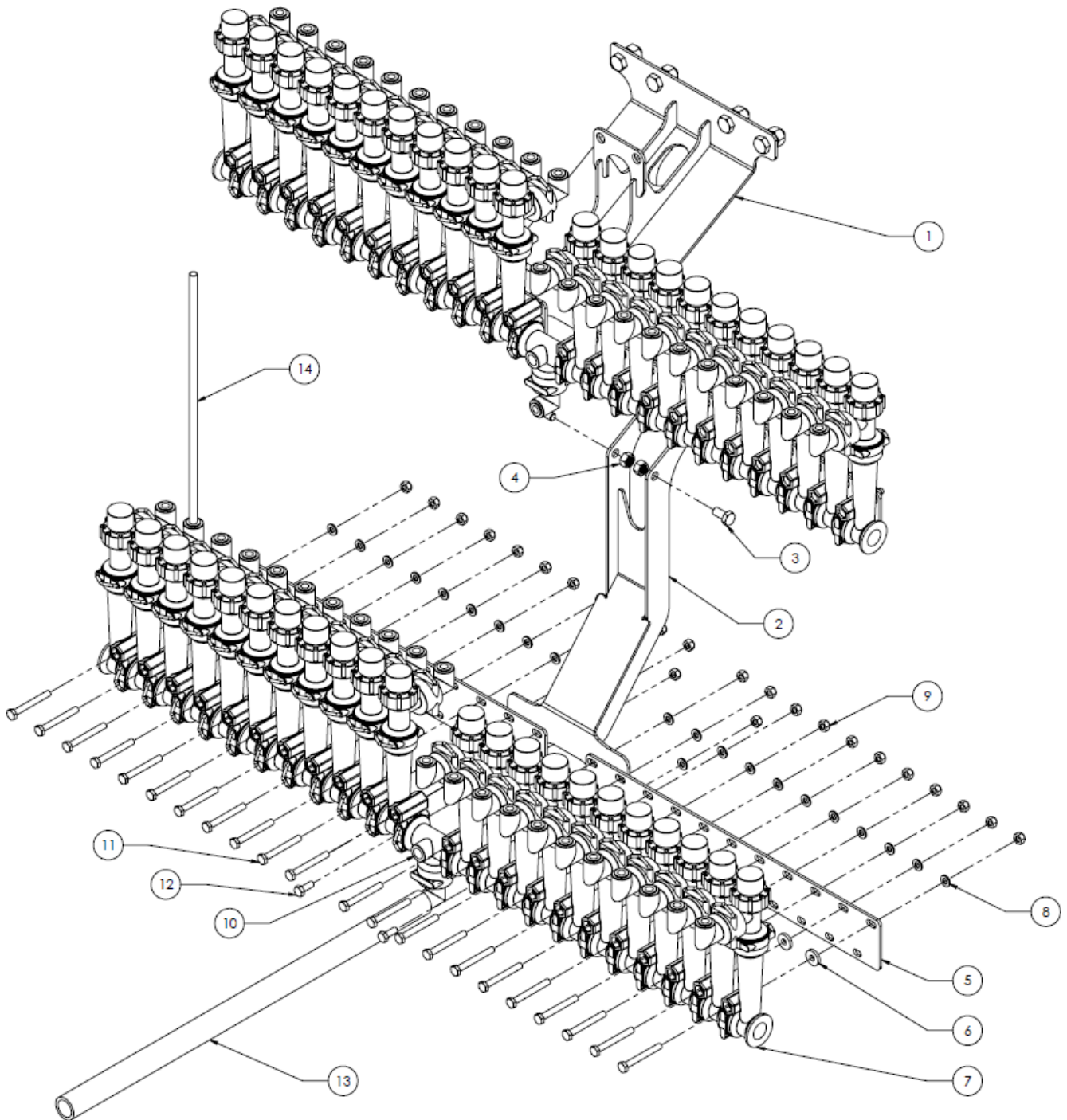




<b>S112.681</b>	<b>SUPPORT WILGER MONO RANGEE</b>	<b>FR</b>	<b>03/2019</b>
-----------------	-----------------------------------	-----------	----------------

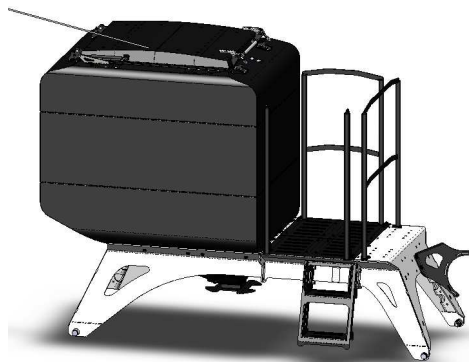
<b>No. ARTICLE</b>	<b>NUMERO DE PIECE</b>	<b>DESCRIPTION</b>	<b>QTE</b>	<b>TARIF</b>
1	S112.675	SUPPORT WILGER SIMPLE RANGEE	1	
2	S111.217	RONDELLE EPAISSE M6	11	
3	S112.673	PLATINE SUPPORT WILGER	2	
4	S109.567	INDICATEUR DE DEBIT	22	
5	S109.568	RACCORD EN Té	1	
6	S100.527	RONDELLE PLATE Ø6	24	
7	S107.400	ECROU HEX FREIN M6 ZN	24	
8	S100.447	BOULON M6x50 ZN	22	
9	S100.273	BOULON M6x16 ZN	2	
10	S100.345	ECROU HEX FREIN M10 ZN	4	
11	S100.494	BOULON M10x25 10.9 ZN	4	
12		TUYAU D'ARROSAGE		
13		TUYAU Ø8mm		



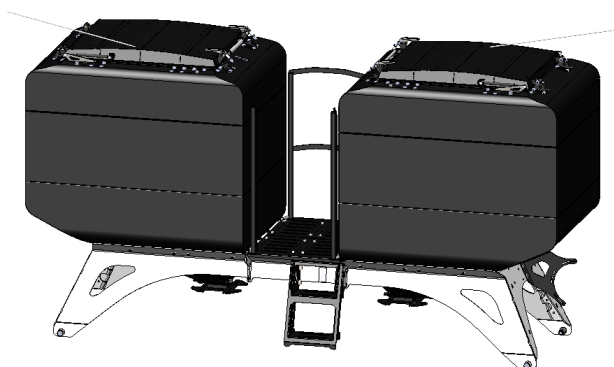


<b>S112.694</b>	<b>SUPPORT WILGER DOUBLE RANGEES</b>	<b>FR</b>	<b>03/2019</b>
-----------------	--------------------------------------	-----------	----------------

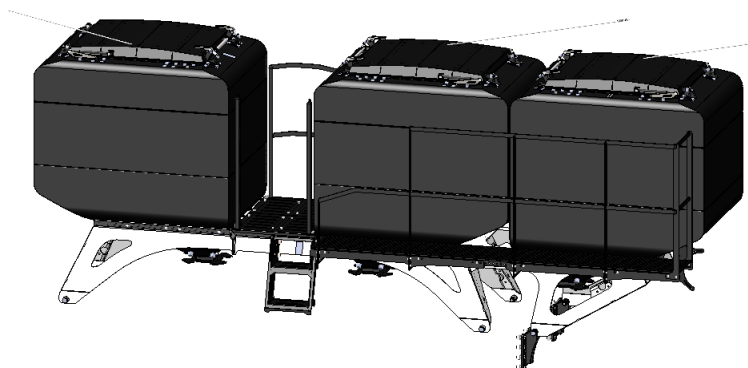
<b>No. ARTICLE</b>	<b>NUMERO DE PIECE</b>	<b>DESCRIPTION</b>	<b>QTE</b>	<b>TARIF</b>
1	S112.861	SUPPORT WILGER MONO RANGEE	1	
2	S112.678	SUPPORT RANG 2 WILGER	1	
3	S100.490	BOULON M8x16 ZN	4	
4	S100.280	ECROU HEX FREIN M8 ZN	4	
5	S112.673	PLATINE SUPPORT WILGER	2	
6	S111.217	RONDELLE EPAISSE M6	13	
7	S109.567	INDICATEUR DE DEBIT	22	
8	S100.527	RONDELLE PLATE Ø6	24	
9	S107.400	ECROU HEX FREIN M6 ZN	24	
10	S109.568	RACCORD EN Té	1	
11	S100.447	BOULON M6x50 ZN	22	
12	S100.273	BOULON M6x16 ZN	2	
13		TUYAU D'ARROSAGE		
14		TUYAU Ø8mm		



**SIMPLE TREMIE**



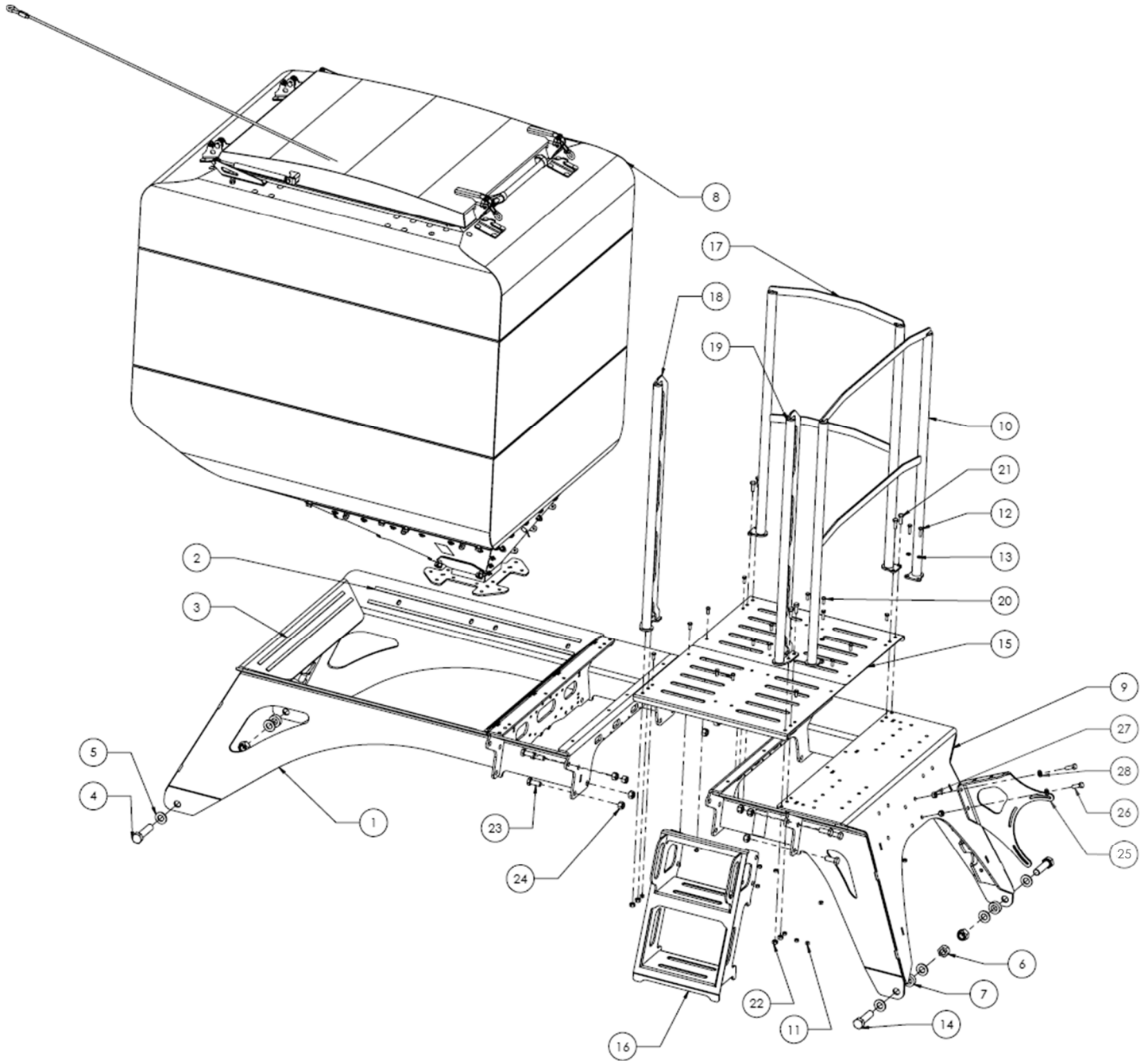
**DOUBLE TREMIES**



**TRIPLE TREMIES**

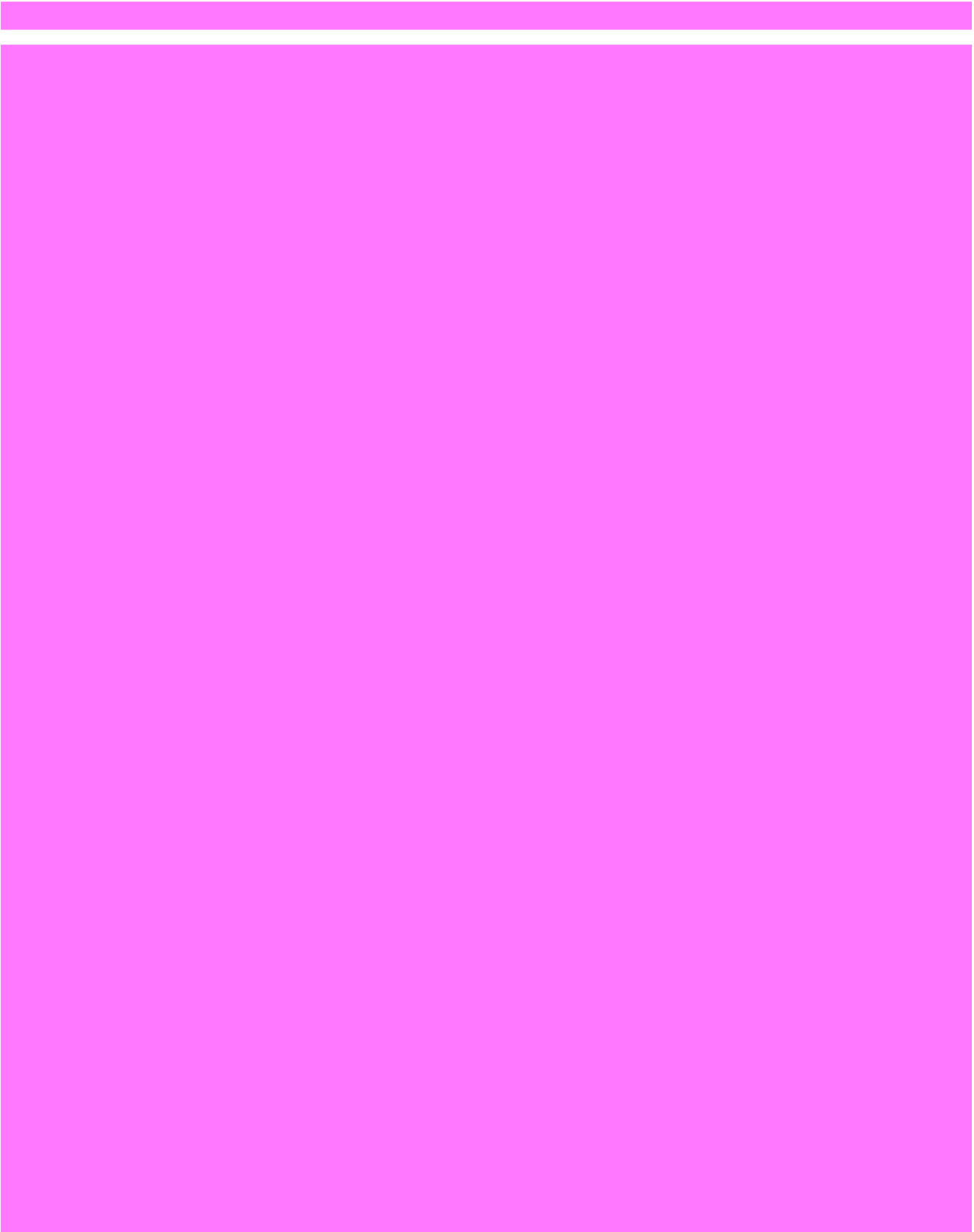


**OPTION TREMIE PTES GRAINES**



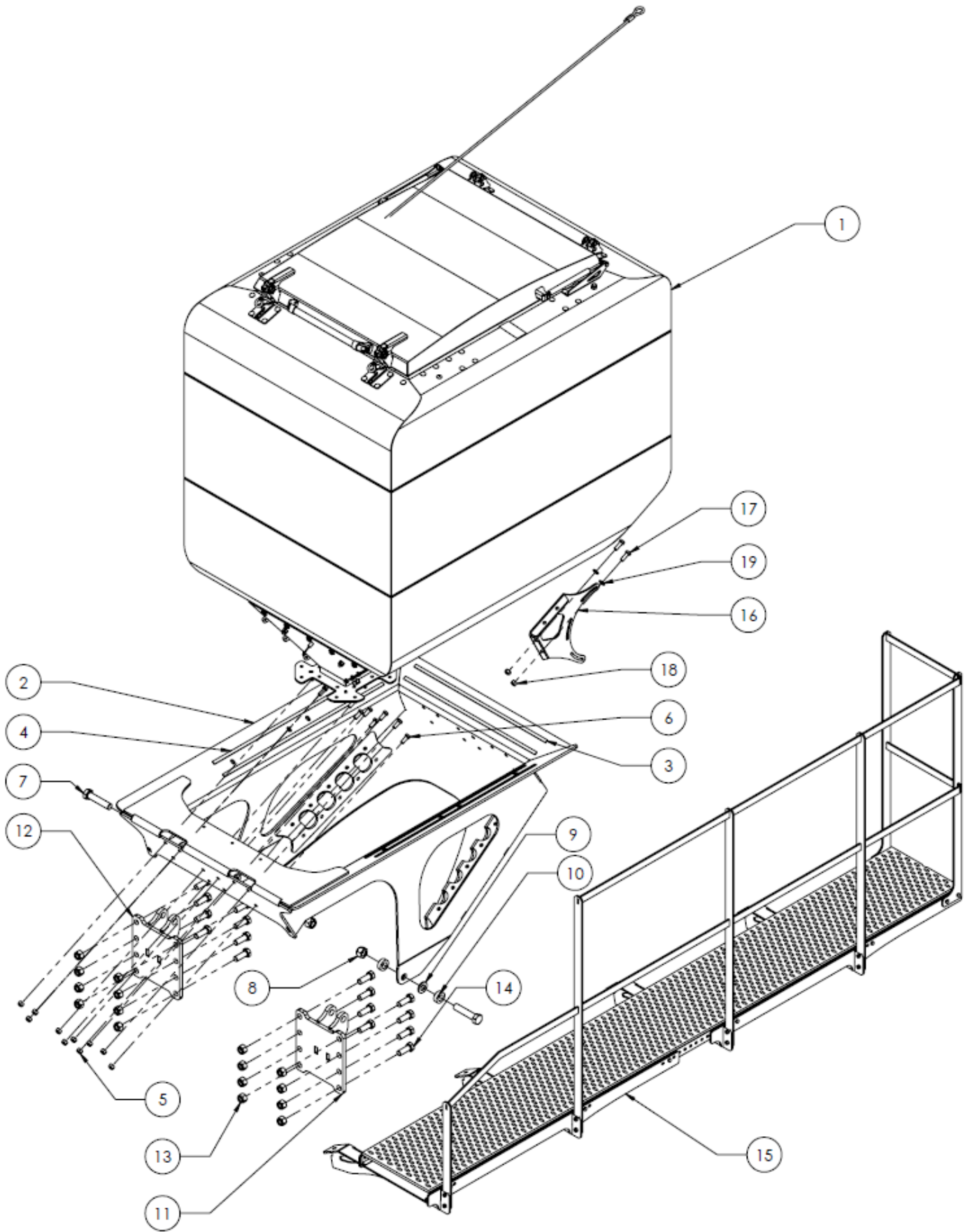
<b>S111.958</b>	<b>CONFIGURATION SIMPLE TREMIE</b>	<b>FR</b>	<b>03/2019</b>
-----------------	------------------------------------	-----------	----------------

<b>No. ARTICLE</b>	<b>NUMERO DE PIECE</b>	<b>DESCRIPTION</b>	<b>QTE</b>	<b>TARIF</b>
1	S109.469	SUPPORT DE TREMIE	1	
2	S109.471	JOINT ADHESIF PROTECTION TREMIE	4	
3	S109.470	JOINT ADHESIF PROTECTION TREMIE	4	
4	S107.458	BOULON M24x100 ZN	2	
5	S107.459	RONDELLE PLATE Ø24	8	
6	S109.542	ECROU HEX FREIN M24 ZN	4	
7	S110.451	RONDELLE DE CALLAGE SUPPORT TREMIE	4	
8	S110.910	TREMIE 2000L COMPLETE	1	
9	S110.846	SUPPORT DE TREMIE SIMPLE	1	
10	S110.852	RAMBARDE DE SECURITE	1	
11	S100.280	ECROU HEX FREIN M8 ZN	20	
12	S100.449	BOULON M8x30 ZN	4	
13	S100.528	RONDELLE PLATE Ø8	4	
14	S109.541	BOULON M24x90 ZN	2	
15	S110.831	PLAQUE SOL DE PLATEFORME SIMPLE	2	
16	S110.842	ECHELLE DE PLATEFORME CENTRALE	1	
17	S110.822	RAMBARDE DE SECURITE	1	
18	S110.826LH	POIGNEE DE PLATEFORME LH	1	
19	S110.826RH	POIGNEE DE PLATEFORME RH	1	
20	S100.491	BOULON M8x20 ZN	16	
21	S100.270	BOULON M10x30 ZN	8	
22	S100.345	ECROU HEX FREIN M10 ZN	8	
23	S100.501	BOULON M16x40 ZN	11	
24	S100.276	ECROU HEX FREIN M16 ZN	11	
25	S109.507	SUPPORT DE TURBINE	1	
26	S100.267	BOULON M12x35 ZN	2	
27	S100.285	RONDELLE PLATE Ø12	2	
28	S100.279	ECROU HEX FREIN M12 ZN	2	



<b>S111.962</b>	<b>CONFIGURATION DOUBLE TREMIE</b>	<b>FR</b>	<b>03/2019</b>
-----------------	------------------------------------	-----------	----------------

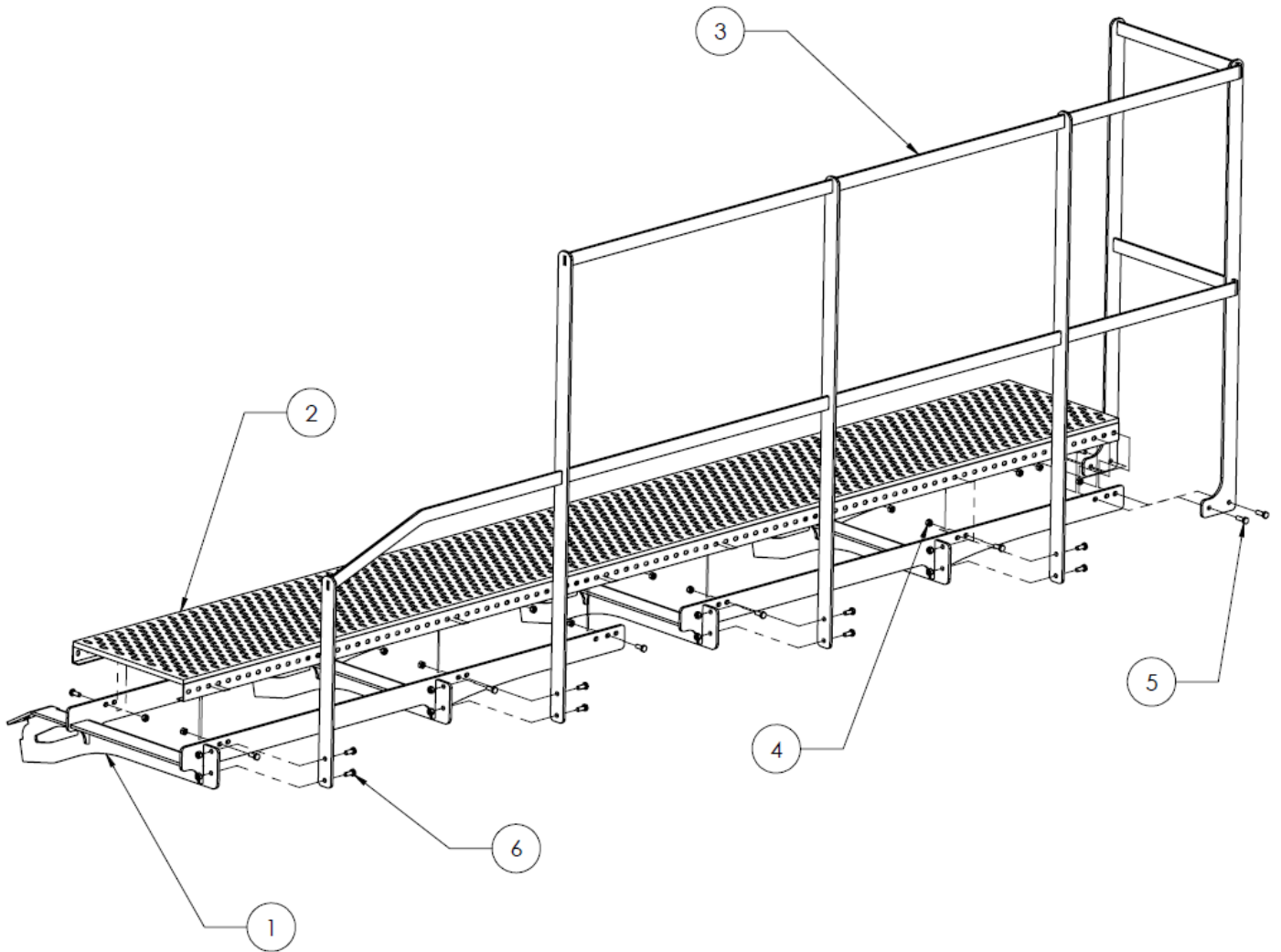
<b>No. ARTICLE</b>	<b>NUMERO DE PIECE</b>	<b>DESCRIPTION</b>	<b>QTE</b>	<b>TARIF</b>
1	S109.469	SUPPORT DE TREMIE	2	
2	S109.471	JOINT ADHESIF PROTECTION TREMIE	8	
3	S109.470	JOINT ADHESIF PROTECTION TREMIE	8	
4	S107.458	BOULON M24x100 ZN	4	
5	S107.459	RONDELLE PLATE Ø24	8	
6	S109.542	ECROU HEX FREIN M24 ZN	4	
7	S110.451	RONDELLE DE CALLAGE SUPPORT TREMIE	4	
8	S110.910	TREMIE 2000L COMPLETE	2	
9	S110.831	PLAQUE SOL DE PLATEFORME SIMPLE	2	
10	S110.842	ECHELLE DE PLATEFORME CENTRALE	1	
11	S110.822	RAMBARDE DE SECURITE	1	
12	S110.826LH	POIGNEE DE PLATEFORME LH	1	
13	S110.826RH	POIGNEE DE PLATEFORME RH	1	
14	S100.280	ECROU HEX FREIN M8 ZN	16	
15	S100.491	BOULON M8x20 ZN	16	
16	S100.270	BOULON M10x30 ZN	8	
17	S100.345	ECROU HEX FREIN M10 ZN	8	
18	S100.501	BOULON M16x40 ZN	11	
19	S100.276	ECROU HEX FREIN M16 ZN	11	
20	S109.507	SUPPORT DE TURBINE	1	
21	S100.267	BOULON M12x35 ZN	2	
22	S100.279	ECROU HEX FREIN M12 ZN	2	
23	S100.285	RONDELLE PLATE Ø12	2	





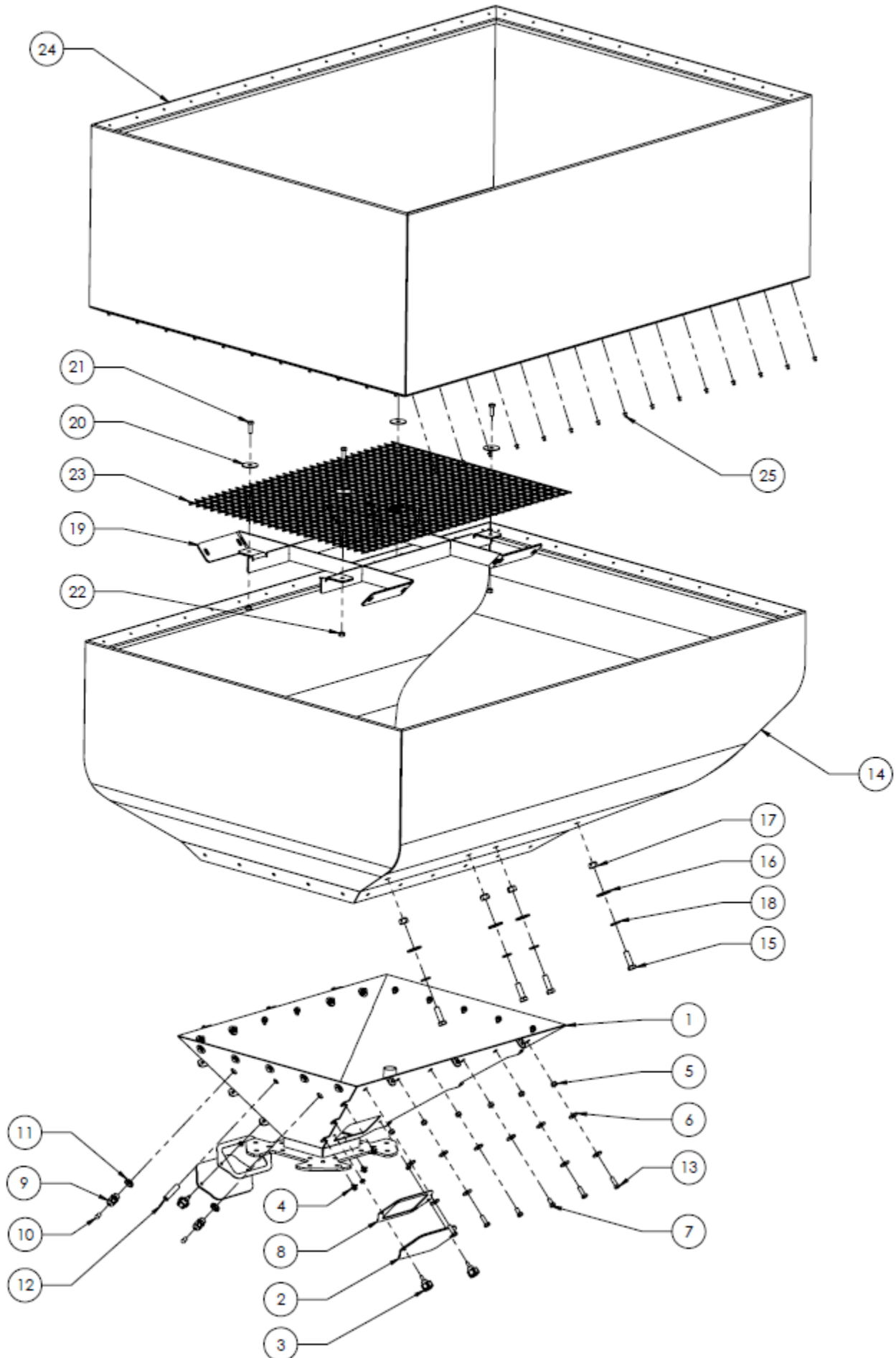
<b>S111.963</b>	<b>CONFIGURATION TRIPLE TREMIE</b>	<b>FR</b>	<b>03/2019</b>
-----------------	------------------------------------	-----------	----------------

<b>No. ARTICLE</b>	<b>NUMERO DE PIECE</b>	<b>DESCRIPTION</b>	<b>QTE</b>	<b>TARIF</b>
1	S110.910	TREMIE 2000L COMPLETE	1	
2	S111.775	SUPPORT DE TROISIEME TREMIE	1	
3	S109.470	JOINT ADHESIF PROTECTION TREMIE	2	
4	S109.471	JOINT ADHESIF PROTECTION TREMIE	4	
5	S100.279	ECROU HEX FREIN M12 ZN	10	
6	S100.496	BOULON M12x30 ZN	10	
7	S110.667	BOULON M24x110 ZN	2	
8	S109.542	ECROU HEX FREIN M24 ZN	2	
9	S107.459	RONDELLE PLATE Ø24	4	
10	S110.451	RONDELLE DE CALLAGE SUPPORT TREMIE	4	
11	S111.781LH	SUPPORT TREMIE TRIPLE RELEVAGE	1	
12	S111.781RH	SUPPORT TREMIE TRIPLE RELEVAGE	1	
13	S100.275	ECROU HEX FREIN M20 ZN	16	
14	S109.590	BOULON M20x55 ZN	16	
15	S112.118	PLATEFORME TRIPLE COMPLETE	1	
16	S109.507	SUPPORT DE TURBINE	1	
17	S100.267	BOULON M12x35 ZN	2	
18	S100.279	ECROU HEX FREIN M12 ZN	2	
19	S100.285	RONDELLE PLATE Ø12	2	



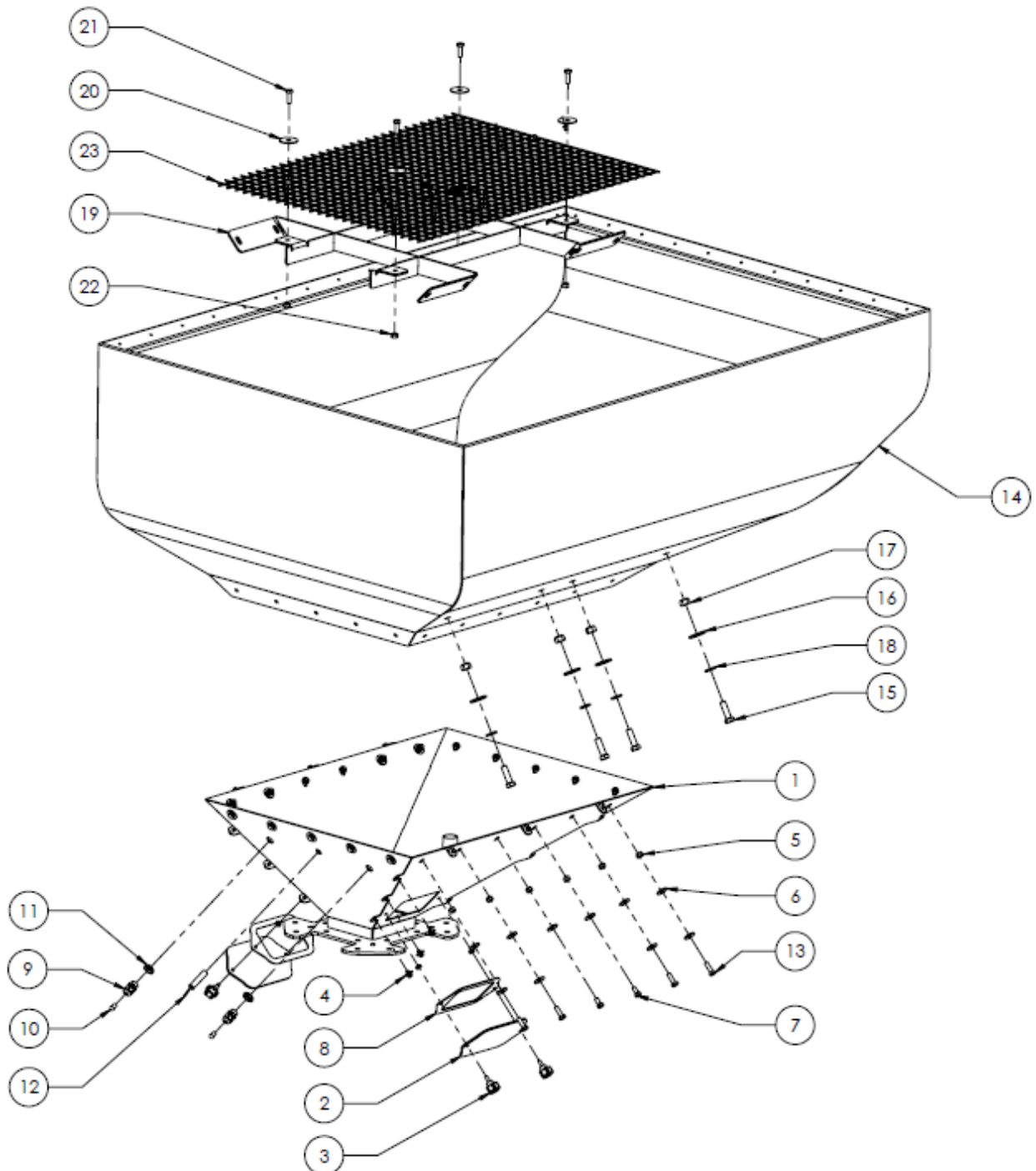
<b>S112.118</b>	<b>PLATEFORME TRIPLE TREMIE</b>	<b>FR</b>	<b>03/2019</b>
-----------------	---------------------------------	-----------	----------------

<b>No. ARTICLE</b>	<b>NUMERO DE PIECE</b>	<b>DESCRIPTION</b>	<b>QTE</b>	<b>TARIF</b>
1	S112.098	PLATEFORME TRIPLE TREMIE	2	
2	S111.682	STEPBLOC 356MM	1	
3	S112.105	RAMBARDE TREMIE TRIPLE	1	
4	S100.280	ECROU HEX FREIN M8 ZN	22	
5	S100.272	BOULON M8x25 ZN	4	
6	S100.491	BOULON M8x20 ZN	18	



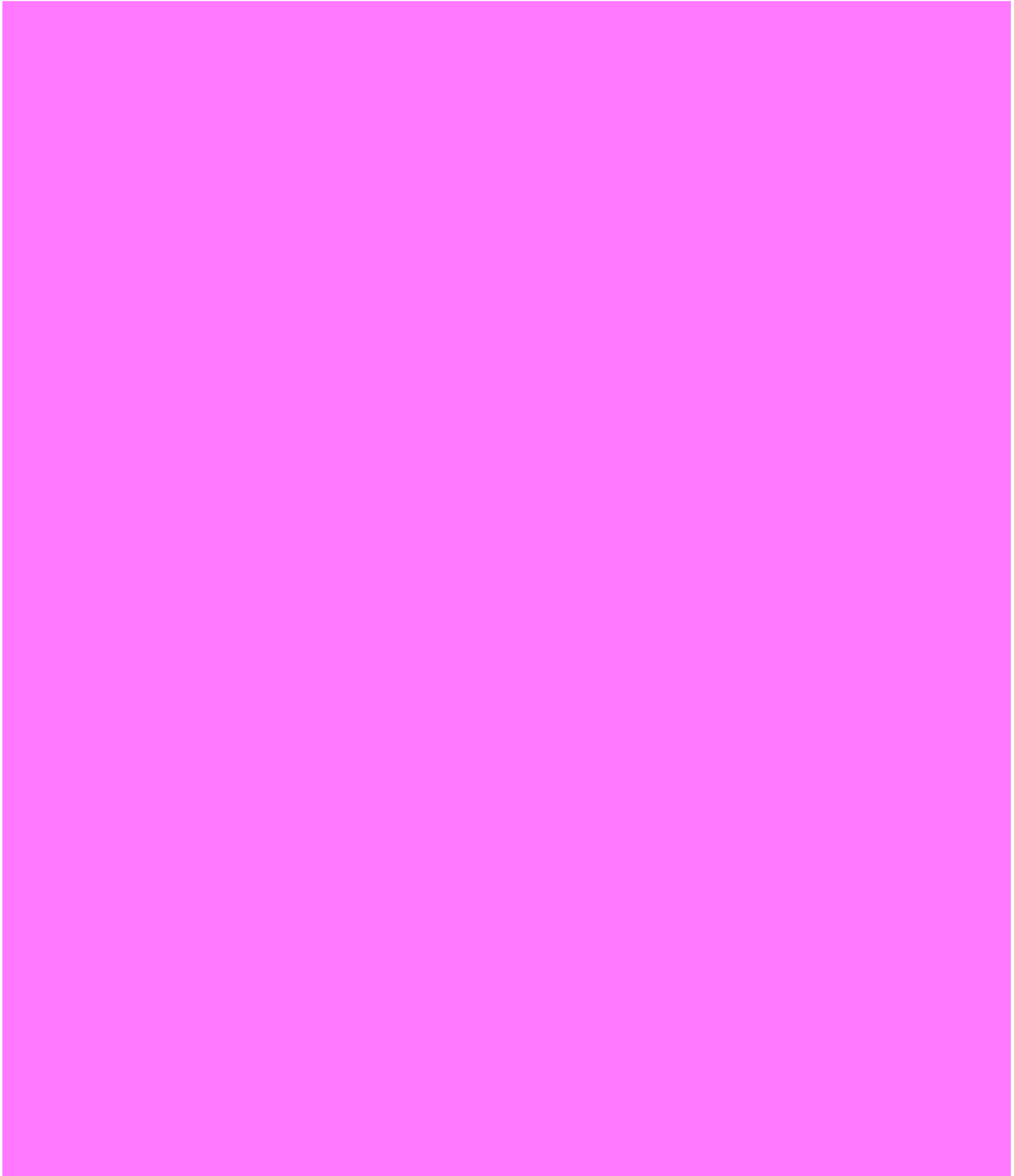
<b>S110.910</b>	<b>TREMIE 2000L PARTIE BASSE</b>	<b>FR</b>	<b>03/2019</b>
-----------------	----------------------------------	-----------	----------------

<b>No. ARTICLE</b>	<b>NUMERO DE PIECE</b>	<b>DESCRIPTION</b>	<b>QTE</b>	<b>TARIF</b>
1	S109.272	CONE DE TREMIE	1	
2	S109.265	PLAQUE DE VIDANGE TREMIE	2	
3	S109.275	MOLETTE M6x15 INOX	4	
4	S109.276	EMBASE A COLLERETTE Ø6,4	12	
5	S109.028	ECROU HEX FREIN M8 A2	22	
6	S109.162	RONDELLE PLATE LARGE Ø8 A2	30	
7	S109.281	BOULON M8x16 A2	14	
8	S110.679	JOINT TRAPPE DE VIDANGE	2	
9	S110.561	PASSE CLOISON ELECTRIQUE Ø4AØ8M16X1.5	2	
10	S110.560	BOUCHON DE PASSE CLOISON ELECTRIQUE	2	
11	S110.908	LOCKNUT PASSE CLOISON M16	2	
12	S110.629	CAPTEUR CAPACITIF M12 NPN NO	1	
13	S109.100	BOULON M8x25 A2	8	
14	S109.238	BASE DE TREMIE	1	
15	S109.591	BOULON M12x35 A2	8	
16	S109.286	RONDELLE PLATE LARGE Ø12 A2	8	
17	S109.287	ECROU HEX FREIN M12 A2	8	
18	S110.983	RONDELLE PLATE Ø12 A2	8	
19	S113.993	SUPPORT GRILLE FOND DE TREMIE	1	
20	S113.994	RONDELLE D40 d9 EP 2MM	4	
21	S100.272	BOULON M8x25 ZN	4	
22	S100.280	ECROU HEX FREIN M8 ZN	4	
23	S113.996	GRILLE SOUDE MEVACO 25X25	1	
24	S109.180	REHAUSSE DE TREMIE	1	
25	S109.143	RIVET 4.8x12 A2	52	



<b>S110.910</b>	<b>TREMIE 1200L PARTIE BASSE</b>	<b>FR</b>	<b>03/2019</b>
-----------------	----------------------------------	-----------	----------------

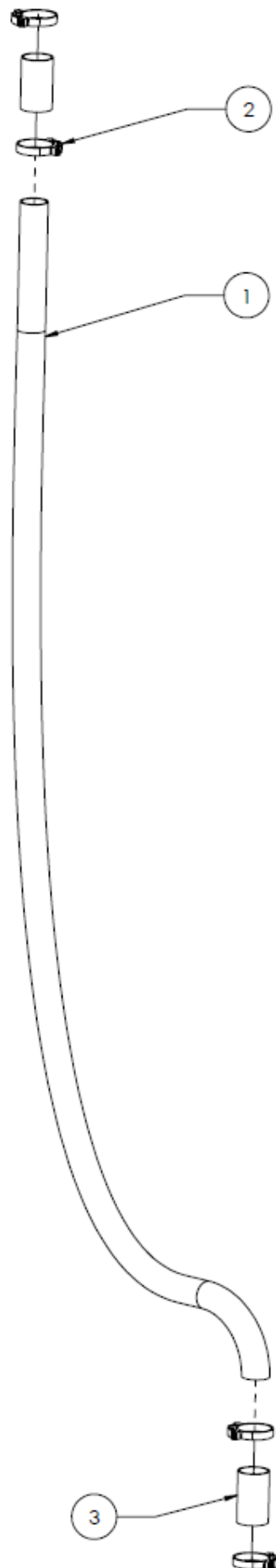
<b>No. ARTICLE</b>	<b>NUMERO DE PIECE</b>	<b>DESCRIPTION</b>	<b>QTE</b>	<b>TARIF</b>
1	S109.272	CONE DE TREMIE	1	
2	S109.265	PLAQUE DE VIDANGE TREMIE	2	
3	S109.275	MOLETTE M6x15 INOX	4	
4	S109.276	EMBASE A COLLERETTE Ø6,4	12	
5	S109.028	ECROU HEX FREIN M8 A2	22	
6	S109.162	RONDELLE PLATE LARGE Ø8 A2	30	
7	S109.281	BOULON M8x16 A2	14	
8	S110.679	JOINT TRAPPE DE VIDANGE	2	
9	S110.561	PASSE CLOISON ELECTRIQUE Ø4AØ8M16X1.5	2	
10	S110.560	BOUCHON DE PASSE CLOISON ELECTRIQUE	2	
11	S110.908	LOCKNUT PASSE CLOISON M16	2	
12	S110.629	CAPTEUR CAPACITIF M12 NPN NO	1	
13	S109.100	BOULON M8x25 A2	8	
14	S109.238	BASE DE TREMIE	1	
15	S109.591	BOULON M12x35 A2	8	
16	S109.286	RONDELLE PLATE LARGE Ø12 A2	8	
17	S109.287	ECROU HEX FREIN M12 A2	8	
18	S110.983	RONDELLE PLATE Ø12 A2	8	
19	S113.993	SUPPORT GRILLE FOND DE TREMIE	1	
20	S113.994	RONDELLE D40 d9 EP 2MM	4	
21	S100.272	BOULON M8x25 ZN	4	
22	S100.280	ECROU HEX FREIN M8 ZN	4	
23	S113.996	GRILLE SOUDE MEVACO 25X25	1	





<b>S110.910</b>	<b>TREMIE 1200-2000L PARTIE HAUTE</b>	<b>FR</b>	<b>03/2019</b>
-----------------	---------------------------------------	-----------	----------------

<b>No. ARTICLE</b>	<b>NUMERO DE PIECE</b>	<b>DESCRIPTION</b>	<b>QTE</b>	<b>TARIF</b>
1	S109.163	HAUT DE TREMIE	1	
2	S109.178	PLAQUE FERMETURE 2 TROUS	8	
3	S109.179	PLAQUE FERMETURE 3 TROUS	4	
4	S109.177	PLAQUE FERMETURE 4 TROUS	4	
5	S109.175	BOULON TETE RONDE COLLET CARRE M8x25 A2	44	
6	S109.162	RONDELLE PLATE LARGE Ø8 A2	44	
7	S109.028	ECROU HEX FREIN M8 A2	50	
8	S109.143	RIVET 4.8x12 A2	52	
9	S109.084LH	CROCHET FERMETURE CAPOT	2	
10	S109.084RH	CROCHET FERMETURE CAPOT	2	
11	S109.135	PIVOT CAPOT V2 TS	2	
12	S108.977	ECROU PLAT M8 A2	6	
13	S109.027	VIS SANS TETE M8x20 A2	2	
14	S109.138LH	SUPPORT VERIN A GAZ CAPOT V2 TS	1	
15	S109.081	RONDELLE DE POIGNEE	2	
16	S109.140	BOULON M8x35 A2	2	
17	S109.138RH	SUPPORT VERIN A GAZ CAPOT V2 TS	1	
18	S110.561	PASSE CLOISON ELECTRIQUE Ø4AØ8M16X1.5	2	
19	S110.560	BOUCHON DE PASSE CLOISON ELECTRIQUE	2	
20	S110.908	LOCKNUT PASSE CLOISON M16	4	
21	S110.914	CABLE GLAND COVER M16	2	
22	S109.122	CAPOT FERMETURE TREMIE V2 TS	1	
23	S109.100	BOULON M8x25 A2	2	
24	S109.287	ECROU HEX FREIN M12 A2	2	
25	S112.398	BOULON M12x40 A2	2	
26	S112.397	RONDELLE PIVOT	4	
27	S109.000	POIGNEE 400MM	1	
28	S109.031	BOULON CHC M6x12 A2	4	
29	S109.030	ECROU HEX FREIN M6 A2	4	
30	S109.102	BOULON CHC M8x30 A2	2	
31	S109.103	RONDELLE PLATE Ø8 A2	2	
32	S109.141	JOINT CAPOT V2 TS REF497044	1	
33	S109.157	POIGNEE CAPOT V2 TS COMPLETE	2	
34	S110.541	VERIN A GAZ L405 C160 600N	2	
35	S110.947	RONDELLE PLATE Ø6 A2	4	
36	S110.967	CORDE 8MM TREMIE	1	
37	S110.969	ARMATURE A SERTIR	2	
38	S110.980	POIGNEE PLASTIQUE	1	



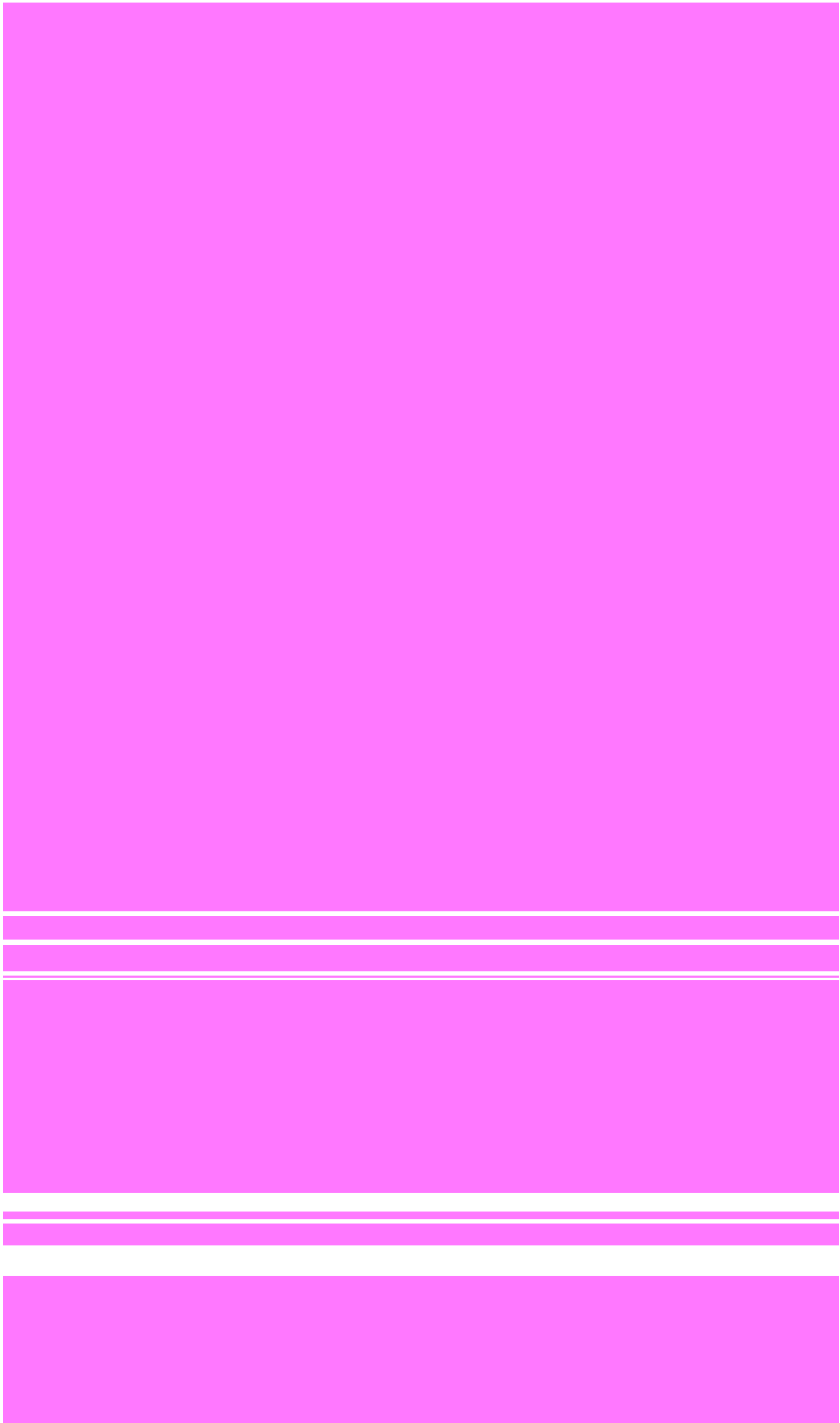
<b>S110.910</b>	<b>TUYAU DE PRESSURISATION TREMIE</b>	<b>FR</b>	<b>03/2019</b>
-----------------	---------------------------------------	-----------	----------------

<b>No. ARTICLE</b>	<b>NUMERO DE PIECE</b>	<b>DESCRIPTION</b>	<b>QTE</b>	<b>TARIF</b>
1	S115.282	TUYAU PRESSURISATION Ø32	1	
2	S110.563	COLLIER DE SERRAGE PLASTIQUE	4	
3	S115.285	MANCHON POUR TUYAU Ø32	2	



<b>S115.144</b>	<b>LIGNE D'AIR SIMPLE TREMIE</b>	<b>FR</b>	<b>03/2019</b>
-----------------	----------------------------------	-----------	----------------

<b>No. ARTICLE</b>	<b>NUMERO DE PIECE</b>	<b>DESCRIPTION</b>	<b>QTE</b>	<b>TARIF</b>
1	S111.219	CLAPET DOUBLE COMPLET	1	
2	S112.093	TUYAU SOUPLE Ø102	2	
3	S115.146	TUYAU SOUPLE Ø102	2	
4	S112.658	Y AVEC PLAQUE DE FERMETURE	1	
5	S112.088	MANCHON ADAPTATION FLEXIBLE Ø 150	1	
6	S112.089	COLLIER D'ASSEMBLAGE Ø150	1	
7	S112.092	TUYAUX SOUPLE 6"	1	
8	S112.157	TURBINE	1	
9	S110.528	DOSEUR COMPLET SOLUTION USINAGE	1	
10	S112.066	BOITE D'ETALONNAGE	1	



<b>S111.248</b>	<b>LIGNE D'AIR DOUBLE TREMIE</b>	<b>FR</b>	<b>03/2019</b>
-----------------	----------------------------------	-----------	----------------

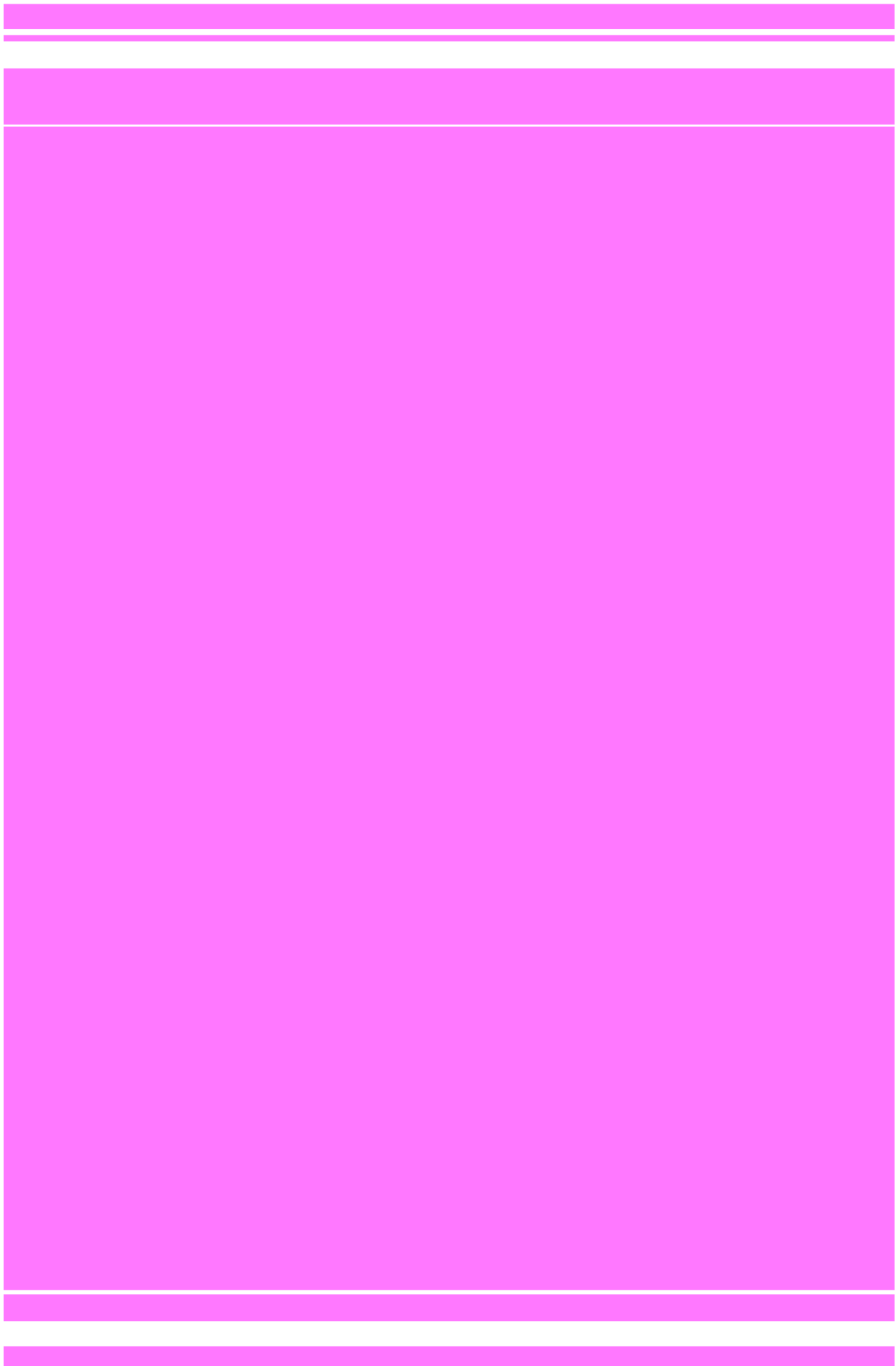
<b>No. ARTICLE</b>	<b>NUMERO DE PIECE</b>	<b>DESCRIPTION</b>	<b>QTE</b>	<b>TARIF</b>
1	S111.219	CLAPET DOUBLE COMPLET	2	
2	S112.658	Y AVEC PLAQUE DE FERMETURE	1	
3	S112.088	MANCHON ADAPTATION FLEXIBLE Ø 150	1	
4	S112.089	COLLIER D'ASSEMBLAGE Ø150	1	
5	S112.090	TUYAUX SOUPLE 4"	2	
6	S112.091	TUYAU SOUPLE Ø102	2	
7	S112.092	TUYAUX SOUPLE 6"	1	
8	S112.093	TUYAU SOUPLE Ø102	2	
9	S112.066	BOITE D'ETALONNAGE	1	
10	S112.157	TURBINE	1	
11	S110.528	DOSEUR COMPLET SOLUTION USINAGE	2	





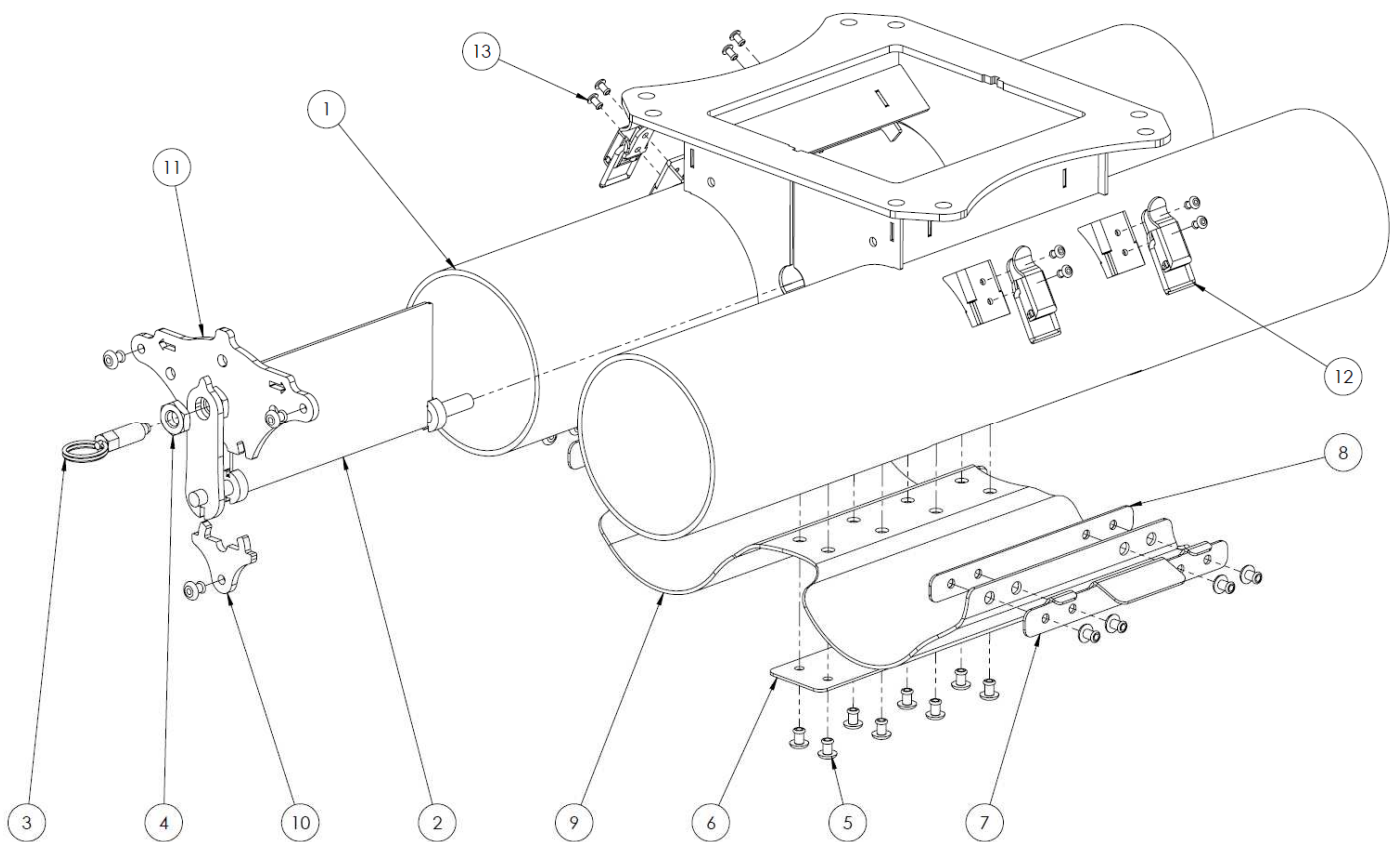
<b>S115.145</b>	<b>LIGNE D'AIR TRIPLE TREMIE</b>	<b>FR</b>	<b>03/2019</b>
-----------------	----------------------------------	-----------	----------------

<b>No. ARTICLE</b>	<b>NUMERO DE PIECE</b>	<b>DESCRIPTION</b>	<b>QTE</b>	<b>TARIF</b>
1	S111.219	CLAPET DOUBLE COMPLET	3	
2	S112.658	Y AVEC PLAQUE DE FERMETURE	1	
3	S112.088	MANCHON ADAPTATION FLEXIBLE Ø 150	1	
4	S112.089	COLLIER D'ASSEMBLAGE Ø150	1	
5	S112.090	TUYAUX SOUPLE 4"	2	
6	S115.147	TUYAU SOUPLE Ø102	2	
7	S115.148	TUYAUX SOUPLE 6"	1	
8	S112.093	TUYAU SOUPLE Ø102	2	
9	S112.066	BOITE D'ETALONNAGE	1	
10	S112.157	TURBINE	1	
11	S112.091	TUYAU SOUPLE Ø102	2	
12	S110.528	DOSEUR COMPLET SOLUTION USINAGE	3	



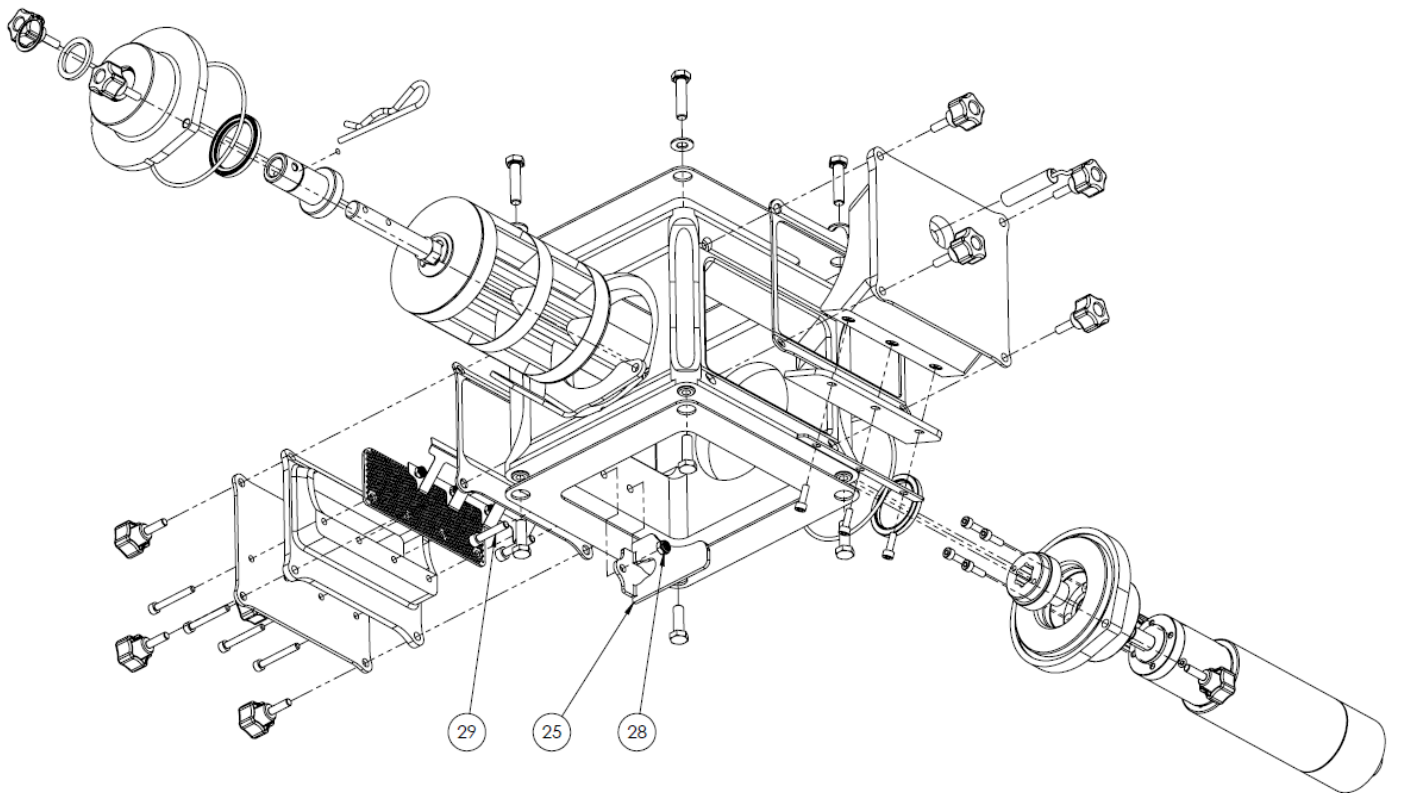
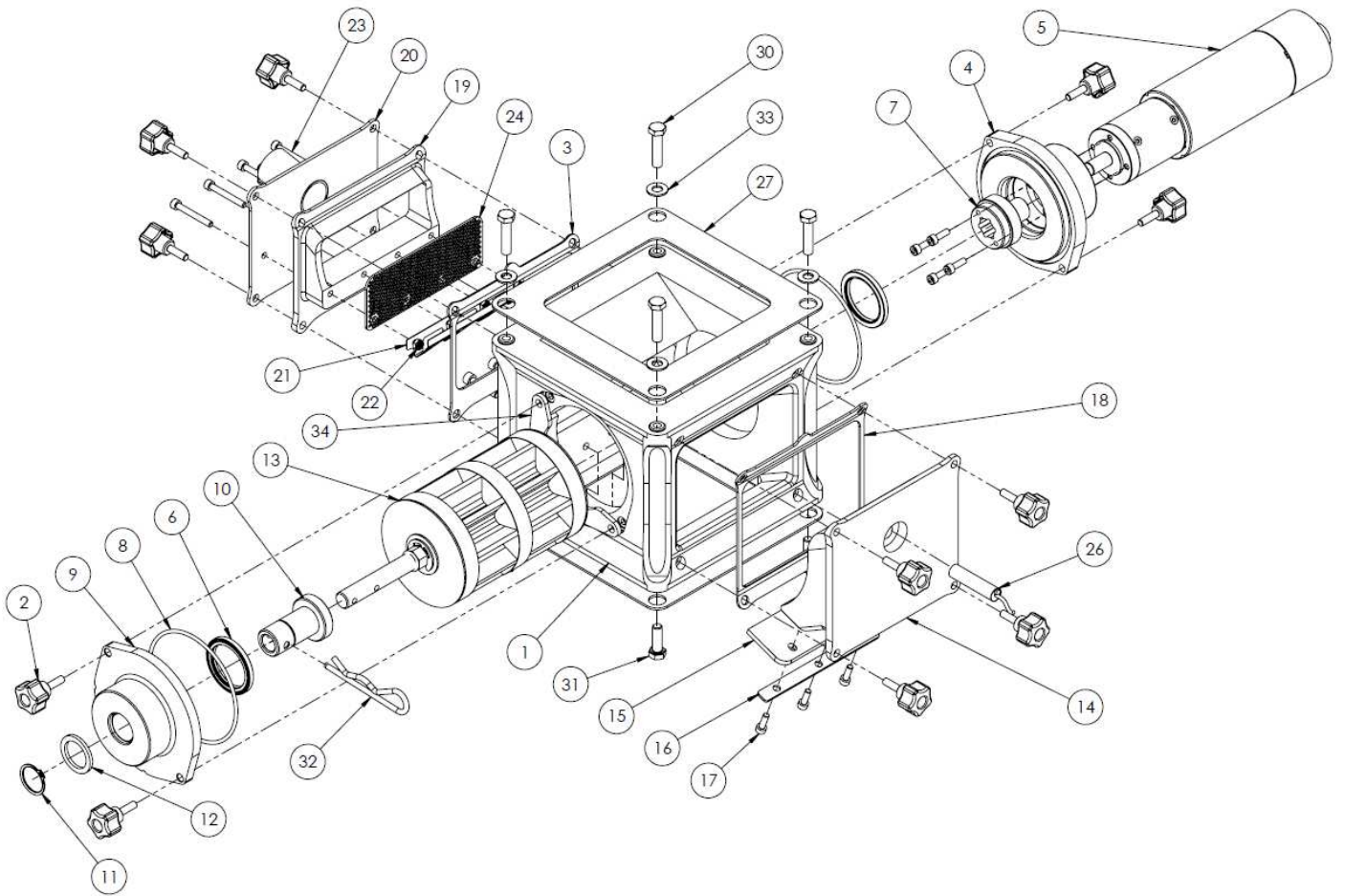
<b>S112.157</b>	<b>TURBINE</b>	<b>FR</b>	<b>03/2019</b>
-----------------	----------------	-----------	----------------

<b>No. ARTICLE</b>	<b>NUMERO DE PIECE</b>	<b>DESCRIPTION</b>	<b>QTE</b>	<b>TARIF</b>
1	S112.481	CARTER DE TURBINE LH	1	
2	S112.482	CARTER DE TURBINE RH	1	
3	S112.480	ROUE DE TURBINE Ø322x68	1	
4	S105.155	MOTEUR HYDRAULIQUE 6ccm	1	
5	S111.952	QD BUSHING JA 5/8"	1	
6	S100.487	BOULON M6x20 ZN	15	
7	S100.527	RONDELLE PLATE Ø6	15	
8	S107.400	ECROU HEX FREIN M6 ZN	15	
9	S100.491	BOULON M8x20 ZN	16	
10	S112.188	FLASQUE MOTEUR HYDRAULIQUE	1	
11	S112.189	PLAQUE SUPPORT MOTEUR	1	
12	S112.224	BOULON TETE RONDE COLLET CARRE M10x35 ZN	2	
13	S100.286	RONDELLE PLATE Ø10	2	
14	S100.345	ECROU HEX FREIN M10 ZN	2	
15	S105.153	COUDE STD. ITA 1/2 COMPLET	2	
16	S112.738	PLAQUE SUPPORT CAPTEUR	1	
17	S112.740	GRILLE	1	
18	S112.736	DEMI-CERCLE FIXATION GRILLE	2	



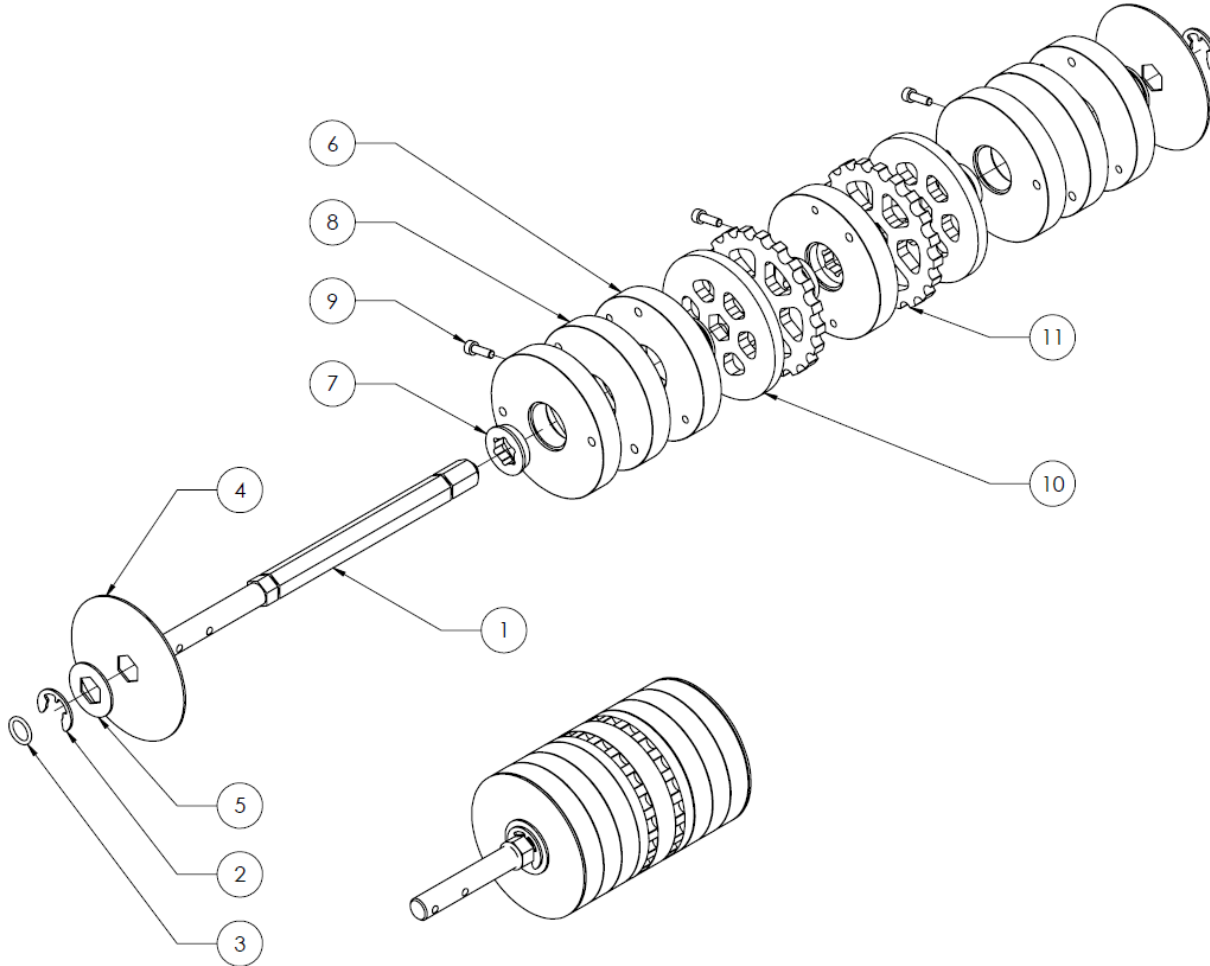
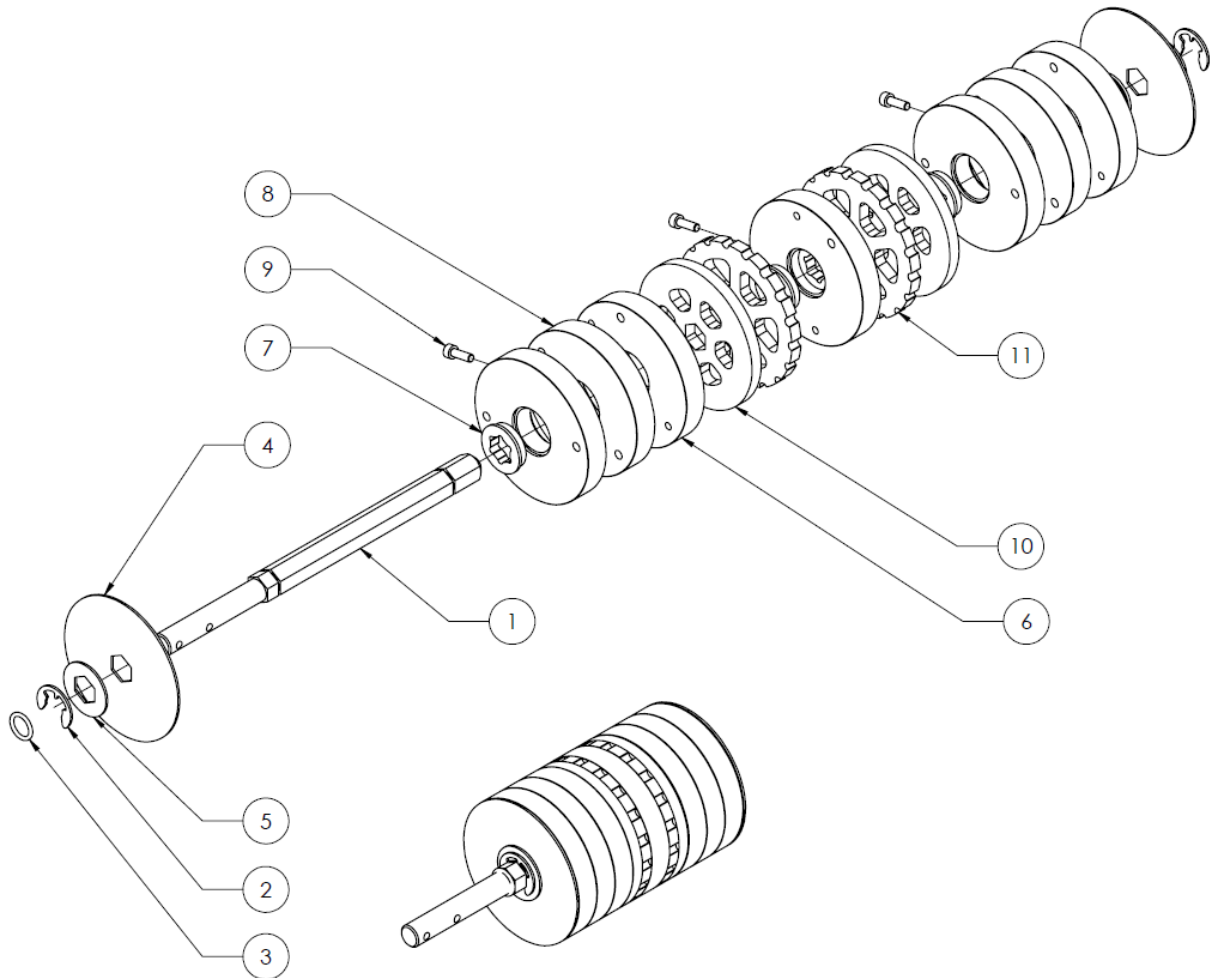
<b>S111.219</b>	<b>CLAPET DOUBLE</b>	<b>FR</b>	<b>03/2019</b>
-----------------	----------------------	-----------	----------------

<b>No. ARTICLE</b>	<b>NUMERO DE PIECE</b>	<b>DESCRIPTION</b>	<b>QTE</b>	<b>TARIF</b>
1	S111.191	CLAPET DOUBLE Ø100 INJECTEUR PRODUIT	1	
2	S111.196	TRAPPE DE CLAPET	1	
3	S110.984	DOIGT D'INDEXAGE Ø6MM	1	
4	S111.221	ECROU PLAT M10	2	
5	S109.143	RIVET 4.8x12 A2	19	
6	S111.136	PLATINE INJECTEUR DOUBLE	1	
7	S111.139	CROCHET DE LANGUETTE	2	
8	S111.140	CROCHET DE LANGUETTE	2	
9	S111.138	LANGUETTE INJECTEUR DOUBLE	1	
10	S112.048	PLAQUE CLAPET	1	
11	S111.218	PLATINE POSITIONNEMENT CLAPET	1	
12	S111.133	SAUTERELLE CLIPS 50MM	4	
13	S112.082	RIVET 3.2x10 A2	8	



<b>S110.528</b>	<b>DOSEUR</b>	<b>FR</b>	<b>03/2019</b>
-----------------	---------------	-----------	----------------

<b>No. ARTICLE</b>	<b>NUMERO DE PIECE</b>	<b>DESCRIPTION</b>	<b>QTE</b>	<b>TARIF</b>
1	S110.619	BLOCK DOSEUR +INSERT	1	
2	S109.719	MOLETTE M6x20 INOX	12	
3	S110.094	JOINT PLAQUE PRESSU	1	
4	S110.598	MOYEU MOTEUR + BAGUE	1	
5	S109.697	MOTEUR DOSEUR	1	
6	S109.716	JOINT A LEVRE 40x52x5 NBR	2	
7	S110.078	MOYEU MOTEUR IMP3D	1	
8	S109.718	JOINT TORIQUE Ø100x3 NBR	2	
9	S110.599	MOYEU ARBRE + BAGUE	1	
10	S110.384	MOYEU ROTOR IMP3D	1	
11	S100.335	CIRCLIP EXT Ø25 A2	1	
12	S110.388	RONDELLE INOX Ø25.75/35 ep3	1	
13	S110.601	ARBRE AVEC GALETS DE DOSAGE	1	
14	S110.617	PLATINE DE VIDANGE DU DOSEUR	1	
15	S110.120	LAMELLE PLASTIQUE	1	
16	S110.621	PLATINE CALE DOSEUR	1	
17	S110.088	BOULON CHC M5x16 A2	7	
18	S110.618	JOINT TRAPPE DE VIDANGE	1	
19	S110.390	PLAQUE PRESSU USINEE	1	
20	S110.593	PLAQUE PRESSU SOUDEE	1	
21	S110.091	RACLEUR	1	
22	S110.090	ECROU HEX FREIN M5 A2	4	
23	S110.943	BOULON CHC M5x40 A2	4	
24	S113.716	GRILLE DOSEUR	1	
25	S110.624	SEPARATEUR DE FLUX DOSEUR	1	
26	S110.629	CAPTEUR CAPACITIF M12 NPN NO	1	
27	S109.835	JOINT INTERFACE	2	
28	S109.030	ECROU HEX FREIN M6 A2	2	
29	S110.817	BOULON CHC M6x30 A2	2	
30	S109.140	BOULON M8x35 A2	4	
31	S109.100	BOULON M8x25 A2	4	
32	S110.979	GOUPILLE BETA SIMPLE Ø4.5 A2	1	
33	S109.103	RONDELLE PLATE Ø8 A2	4	
34	S111.283	PLATINE SUPPORT CAPTEUR DE DOSEUR	1	

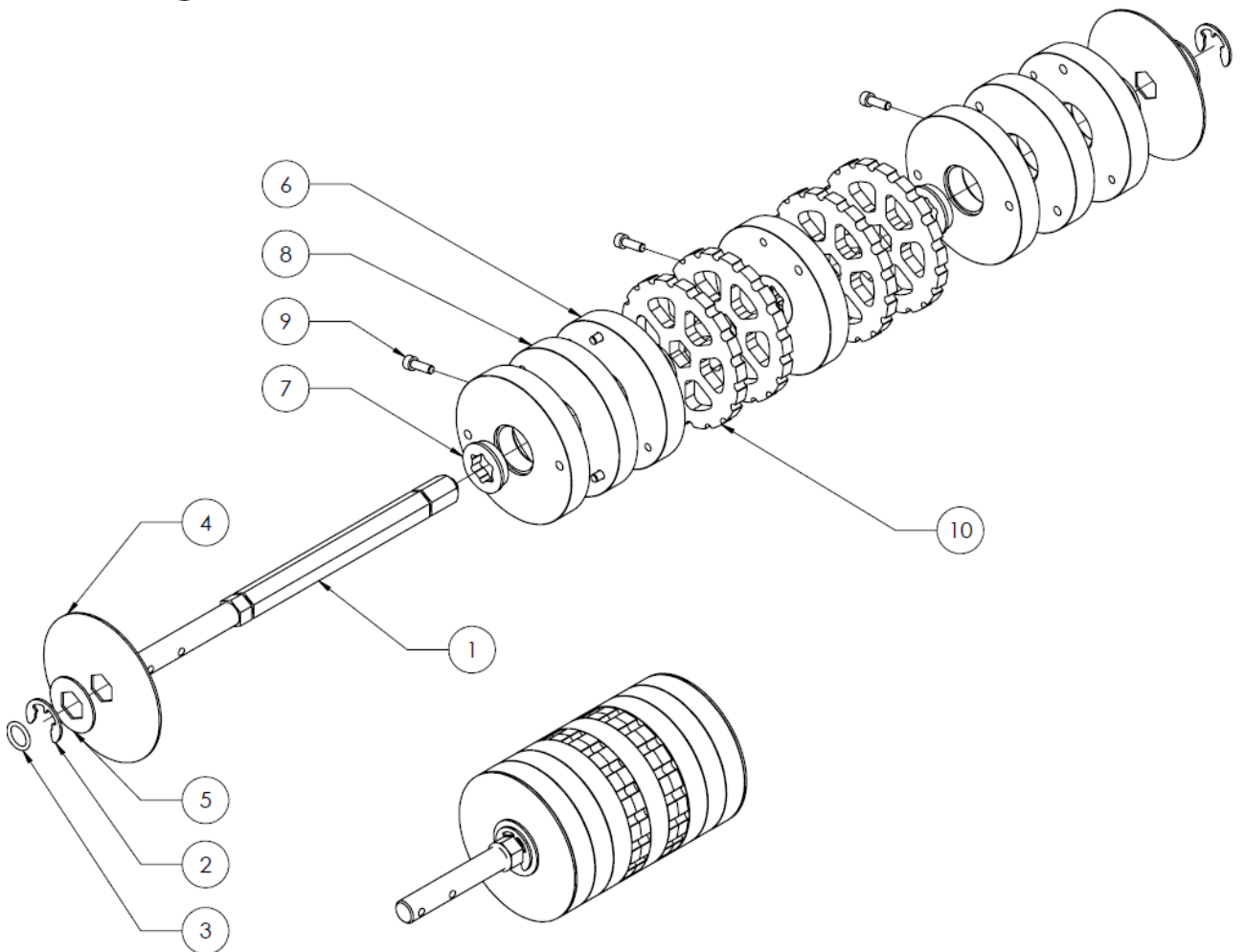
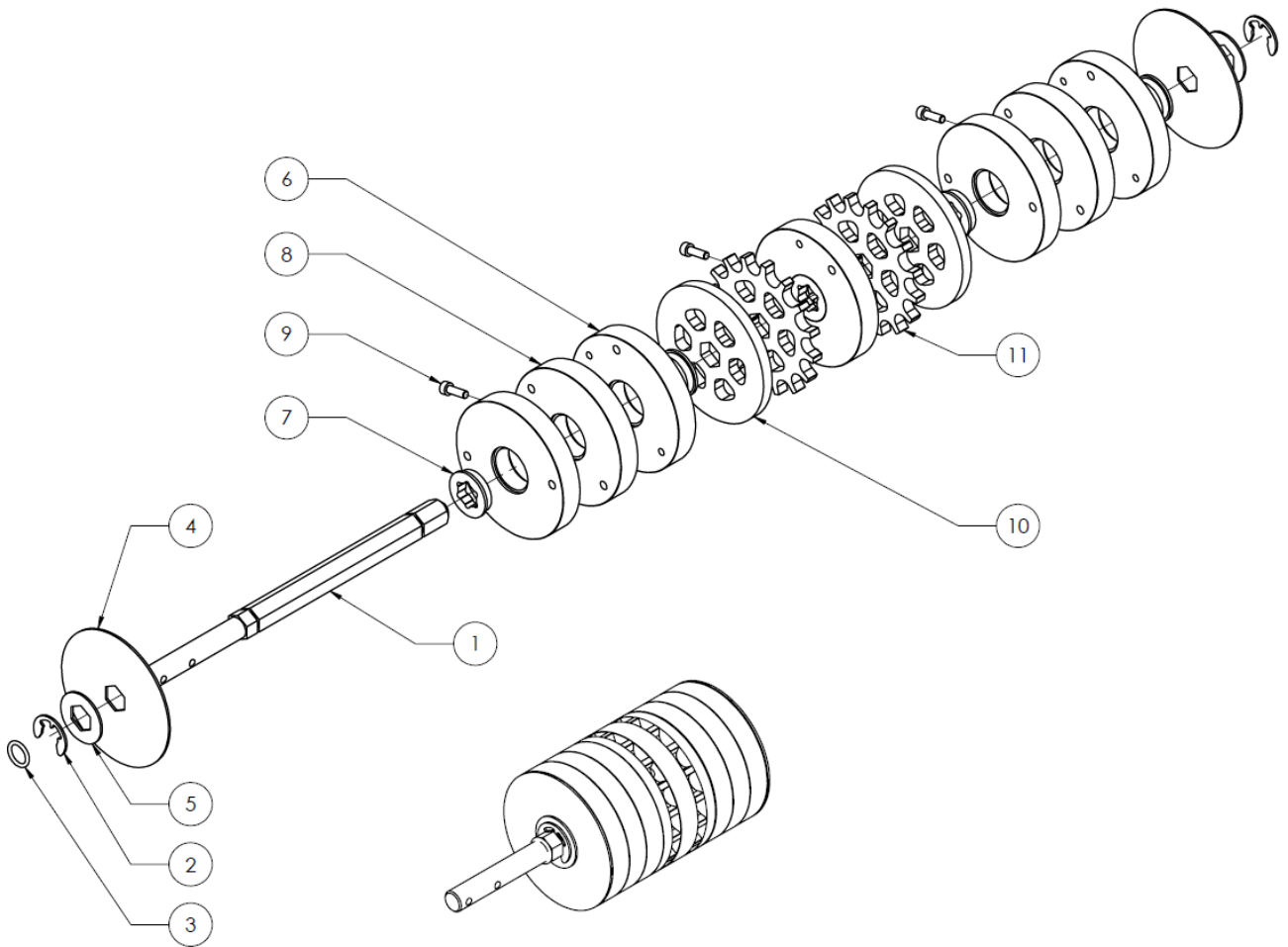




<b>S110.601</b>	<b>ROTOR DOSEUR</b>	<b>FR</b>	<b>03/2019</b>
-----------------	---------------------	-----------	----------------

<b>No. ARTICLE</b>	<b>NUMERO DE PIECE</b>	<b>DESCRIPTION</b>	<b>QTE</b>	<b>TARIF</b>
1	S109.830	ARBRE ROTOR	1	
2	S109.711	BAGUE DE SECURITE Ø15	2	
3	S109.713	JOINT TORIQUE Ø14x2.5	1	
4	S110.686	RONDELLE BOUT DE DOSEUR	2	
5	S110.687	RONDELLE BOUT DE DOSEUR	2	
6	S111.849	ROULEAU FIXE	3	
7	S111.848	BAGUE POUR ROULEAUX FIXES	6	
8	S111.850	ROULEAU FIXE	4	
9	S110.088	BOULON CHC M5x16 A2	3	
10	S111.452	ROULEAU PLEIN 8MM	2	
11	S112.475	ROULEAU DOSEUR 2cc	2	

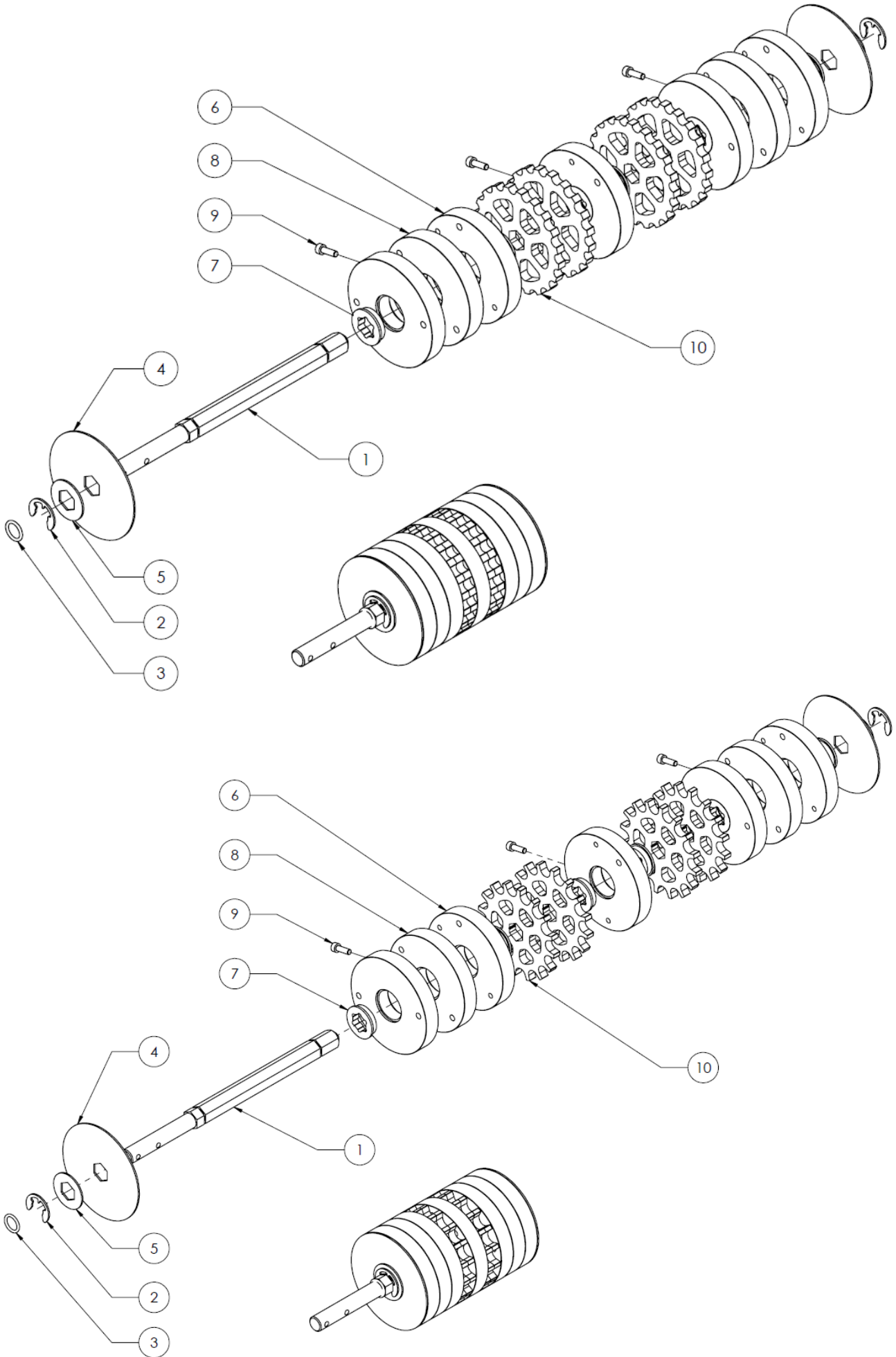
<b>No. ARTICLE</b>	<b>NUMERO DE PIECE</b>	<b>DESCRIPTION</b>	<b>QTE</b>	<b>TARIF</b>
1	S109.830	ARBRE ROTOR	1	
2	S109.711	BAGUE DE SECURITE Ø15	2	
3	S109.713	JOINT TORIQUE Ø14x2.5	1	
4	S110.686	RONDELLE BOUT DE DOSEUR	2	
5	S110.687	RONDELLE BOUT DE DOSEUR	2	
6	S111.849	ROULEAU FIXE	3	
7	S111.848	BAGUE POUR ROULEAUX FIXES	6	
8	S111.850	ROULEAU FIXE	4	
9	S110.088	BOULON CHC M5x16 A2	3	
10	S111.452	ROULEAU PLEIN 8MM	2	
11	S112.476	ROULEAU DOSEUR 5cc	2	



<b>S110.601</b>	<b>ROTOR DOSEUR</b>	<b>FR</b>	<b>03/2019</b>
-----------------	---------------------	-----------	----------------

<b>No. ARTICLE</b>	<b>NUMERO DE PIECE</b>	<b>DESCRIPTION</b>	<b>QTE</b>	<b>TARIF</b>
1	S109.830	ARBRE ROTOR	1	
2	S109.711	BAGUE DE SECURITE Ø15	2	
3	S109.713	JOINT TORIQUE Ø14x2.5	1	
4	S110.686	RONDELLE BOUT DE DOSEUR	2	
5	S110.687	RONDELLE BOUT DE DOSEUR	2	
6	S111.849	ROULEAU FIXE	3	
7	S111.848	BAGUE POUR ROULEAUX FIXES	6	
8	S111.850	ROULEAU FIXE	4	
9	S110.088	BOULON CHC M5x16 A2	3	
10	S111.452	ROULEAU PLEIN 8MM	2	
11	S112.478	ROULEAU DOSEUR 15cc	2	

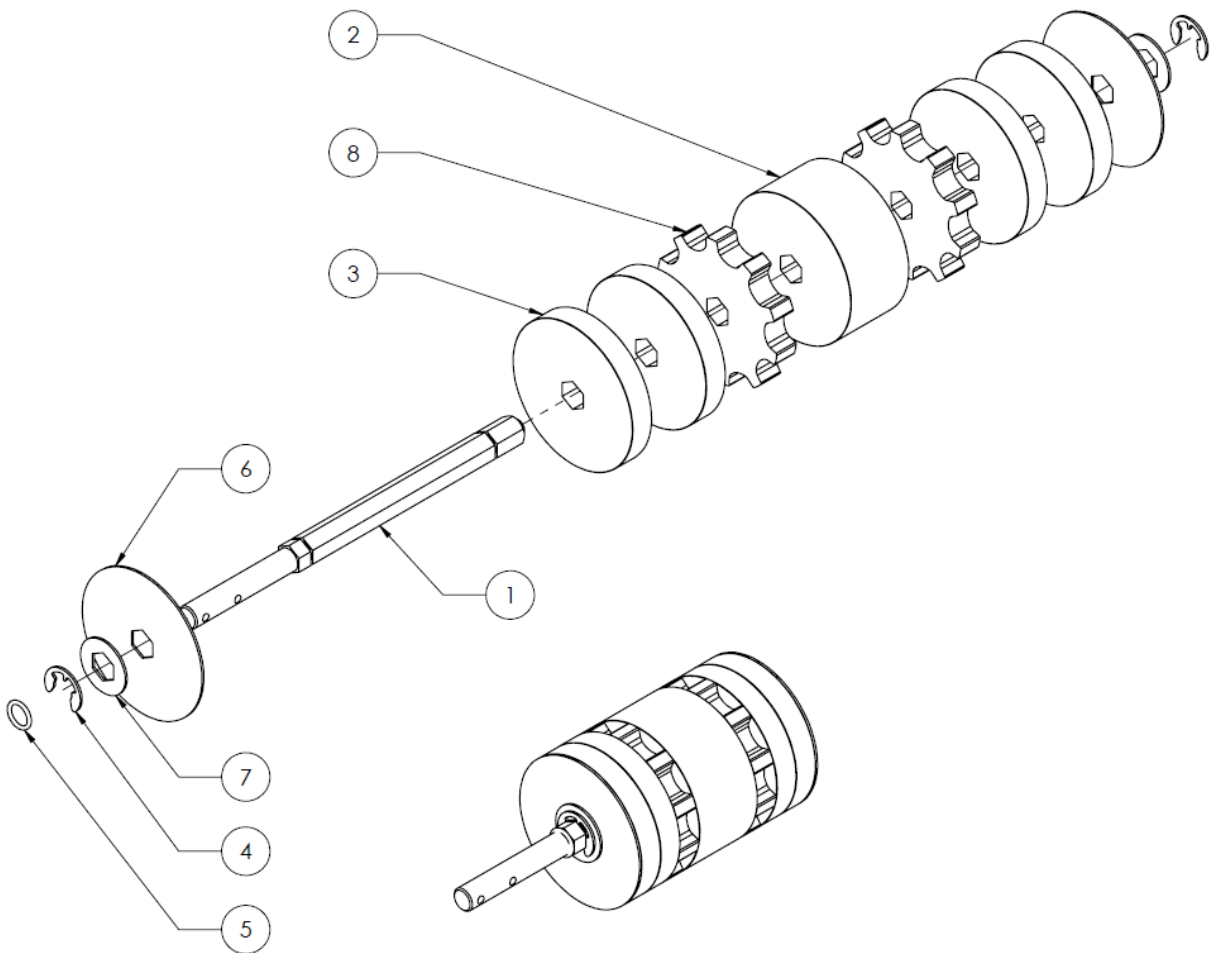
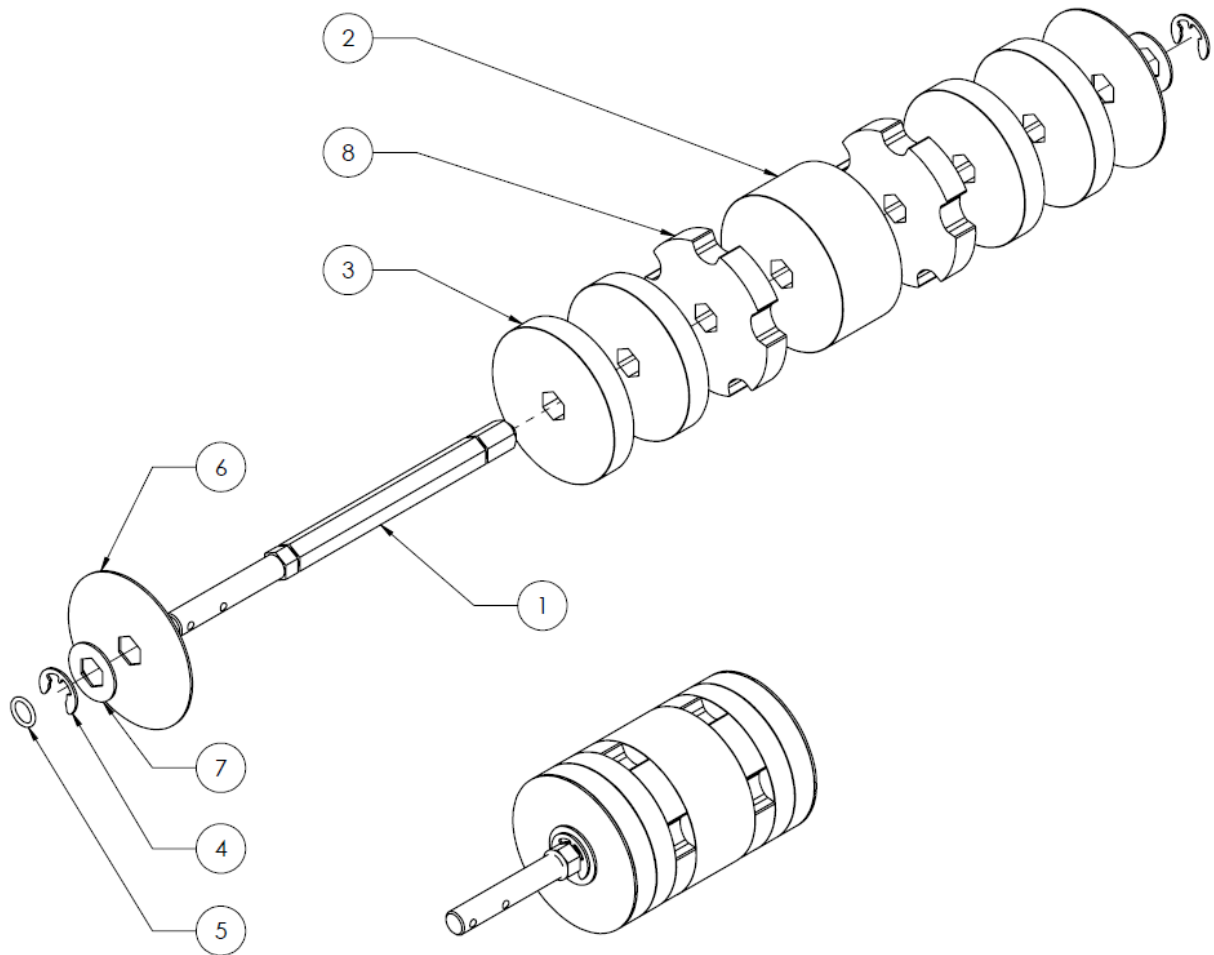
<b>No. ARTICLE</b>	<b>NUMERO DE PIECE</b>	<b>DESCRIPTION</b>	<b>QTE</b>	<b>TARIF</b>
1	S109.830	ARBRE ROTOR	1	
2	S109.711	BAGUE DE SECURITE Ø15	2	
3	S109.713	JOINT TORIQUE Ø14x2.5	1	
4	S110.686	RONDELLE BOUT DE DOSEUR	2	
5	S110.687	RONDELLE BOUT DE DOSEUR	2	
6	S111.849	ROULEAU FIXE	3	
7	S111.848	BAGUE POUR ROULEAUX FIXES	6	
8	S111.850	ROULEAU FIXE	4	
9	S110.088	BOULON CHC M5x16 A2	3	
10	S112.475	ROULEAU DOSEUR 2cc	4	



<b>S110.601</b>	<b>ROTOR DOSEUR</b>	<b>FR</b>	<b>03/2019</b>
-----------------	---------------------	-----------	----------------

<b>No. ARTICLE</b>	<b>NUMERO DE PIECE</b>	<b>DESCRIPTION</b>	<b>QTE</b>	<b>TARIF</b>
1	S109.830	ARBRE ROTOR	1	
2	S109.711	BAGUE DE SECURITE Ø15	2	
3	S109.713	JOINT TORIQUE Ø14x2.5	1	
4	S110.686	RONDELLE BOUT DE DOSEUR	2	
5	S110.687	RONDELLE BOUT DE DOSEUR	2	
6	S111.849	ROULEAU FIXE	3	
7	S111.848	BAGUE POUR ROULEAUX FIXES	6	
8	S111.850	ROULEAU FIXE	4	
9	S110.088	BOULON CHC M5x16 A2	3	
10	S112.476	ROULEAU DOSEUR 5cc	4	

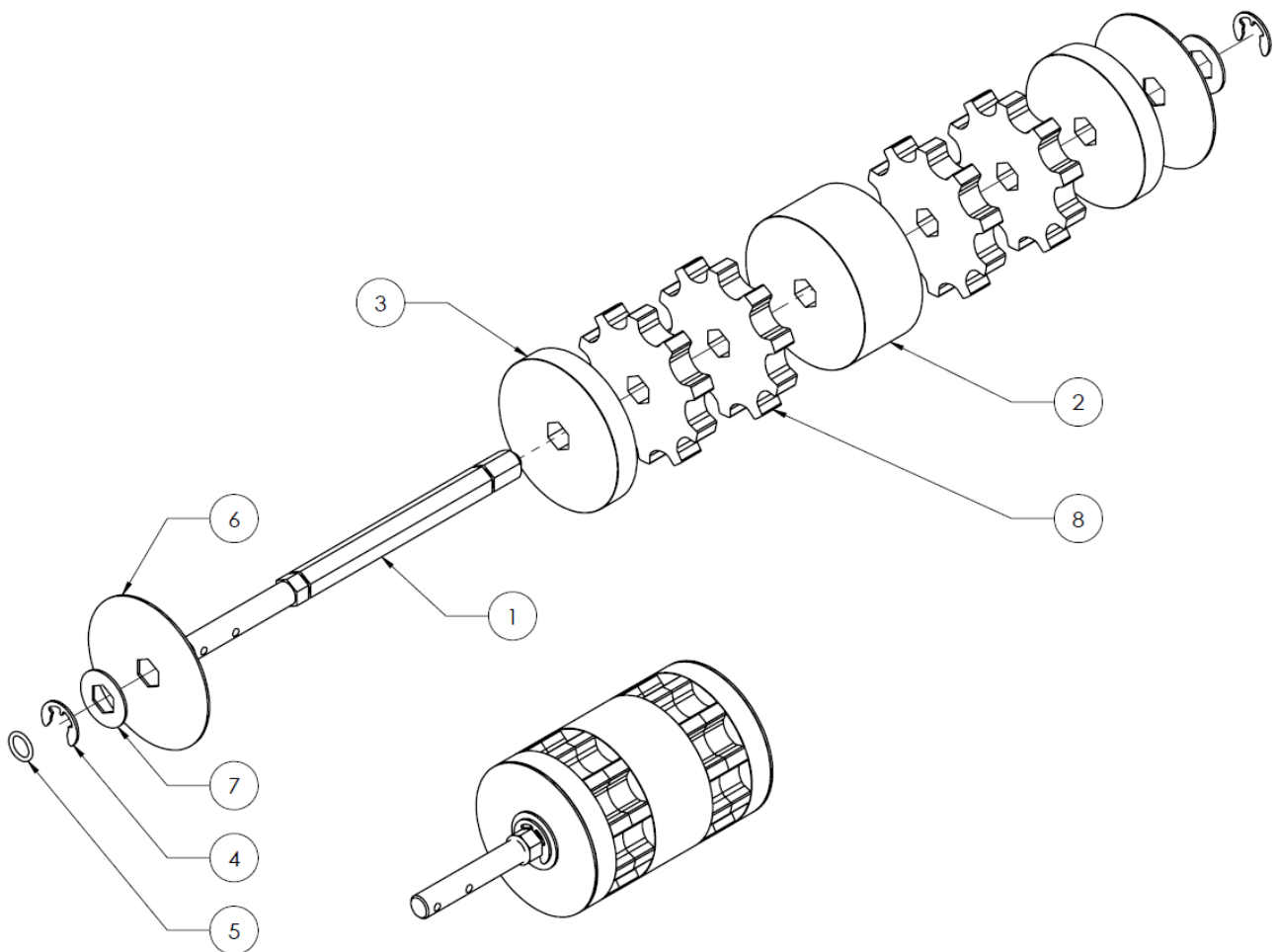
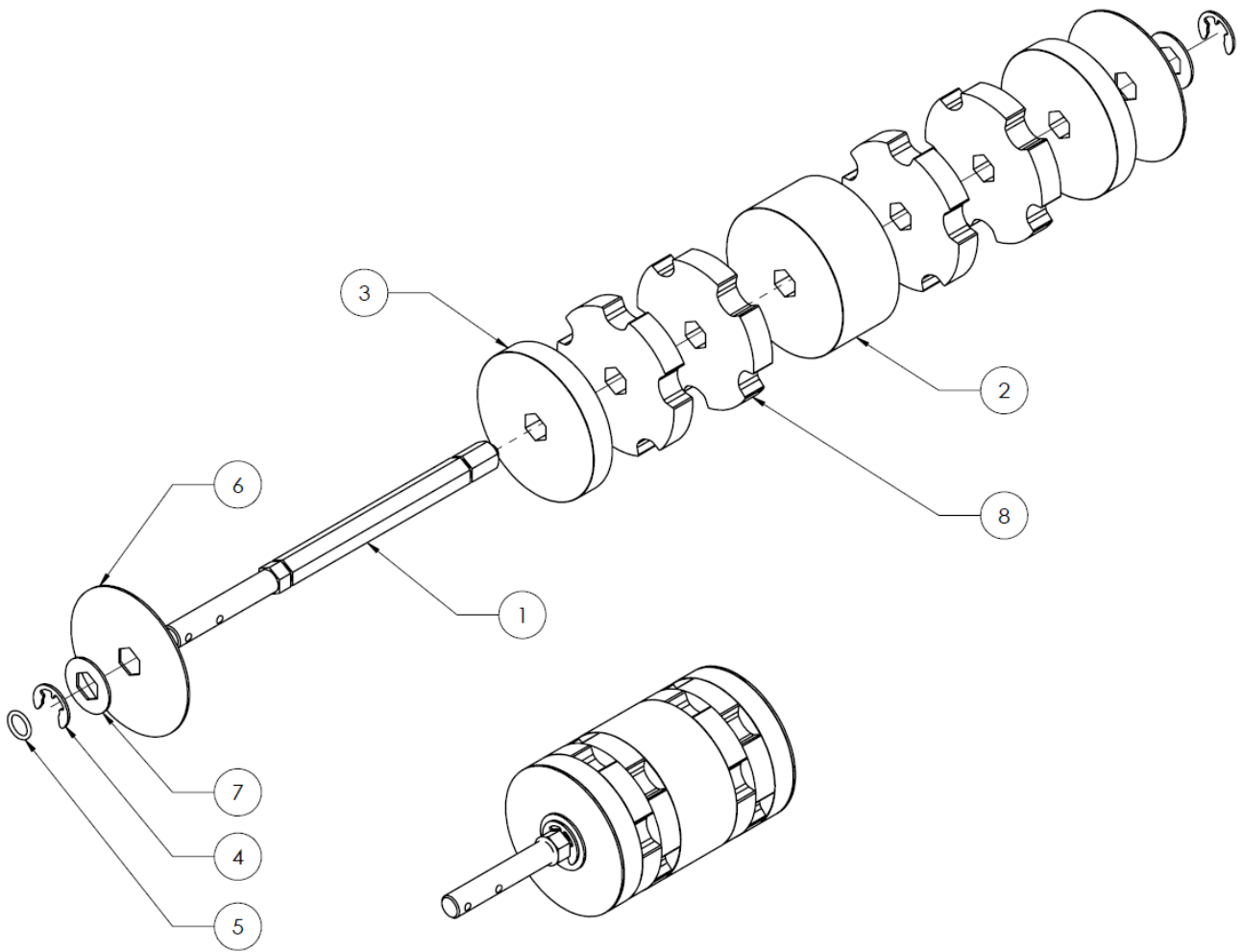
<b>No. ARTICLE</b>	<b>NUMERO DE PIECE</b>	<b>DESCRIPTION</b>	<b>QTE</b>	<b>TARIF</b>
1	S109.830	ARBRE ROTOR	1	
2	S109.711	BAGUE DE SECURITE Ø15	2	
3	S109.713	JOINT TORIQUE Ø14x2.5	1	
4	S110.686	RONDELLE BOUT DE DOSEUR	2	
5	S110.687	RONDELLE BOUT DE DOSEUR	2	
6	S111.849	ROULEAU FIXE	3	
7	S111.848	BAGUE POUR ROULEAUX FIXES	6	
8	S111.850	ROULEAU FIXE	4	
9	S110.088	BOULON CHC M5x16 A2	3	
10	S112.478	ROULEAU DOSEUR 15cc	4	



<b>S110.601</b>	<b>ROTOR DOSEUR</b>	<b>FR</b>	<b>03/2019</b>
-----------------	---------------------	-----------	----------------

<b>No. ARTICLE</b>	<b>NUMERO DE PIECE</b>	<b>DESCRIPTION</b>	<b>QTE</b>	<b>TARIF</b>
1	S109.830	ARBRE ROTOR	1	
2	S109.831	GROS GALET	1	
3	S109.832	PETIT GALET	4	
4	S109.711	BAGUE DE SECURITE Ø15	2	
5	S109.713	JOINT TORIQUE Ø14x2.5	1	
6	S110.686	RONDELLE BOUT DE DOSEUR	2	
7	S110.687	RONDELLE BOUT DE DOSEUR	2	
8	S112.473	ROULEAU DOSEUR 15cc	2	

<b>No. ARTICLE</b>	<b>NUMERO DE PIECE</b>	<b>DESCRIPTION</b>	<b>QTE</b>	<b>TARIF</b>
1	S109.830	ARBRE ROTOR	1	
2	S109.831	GROS GALET	1	
3	S109.832	PETIT GALET	4	
4	S109.711	BAGUE DE SECURITE Ø15	2	
5	S109.713	JOINT TORIQUE Ø14x2.5	1	
6	S110.686	RONDELLE BOUT DE DOSEUR	2	
7	S110.687	RONDELLE BOUT DE DOSEUR	2	
8	S112.469	ROULEAU DOSEUR 25cc	2	

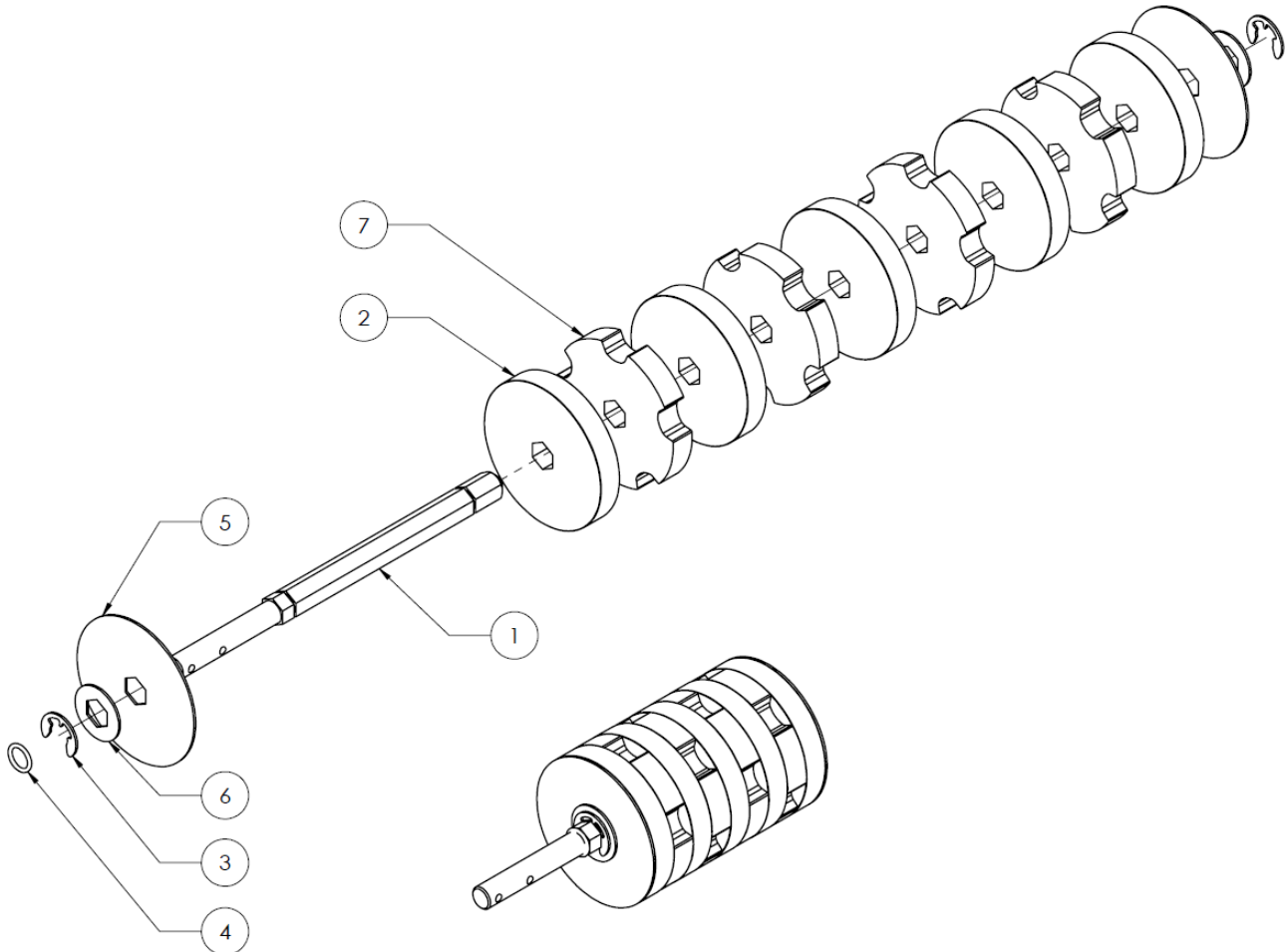
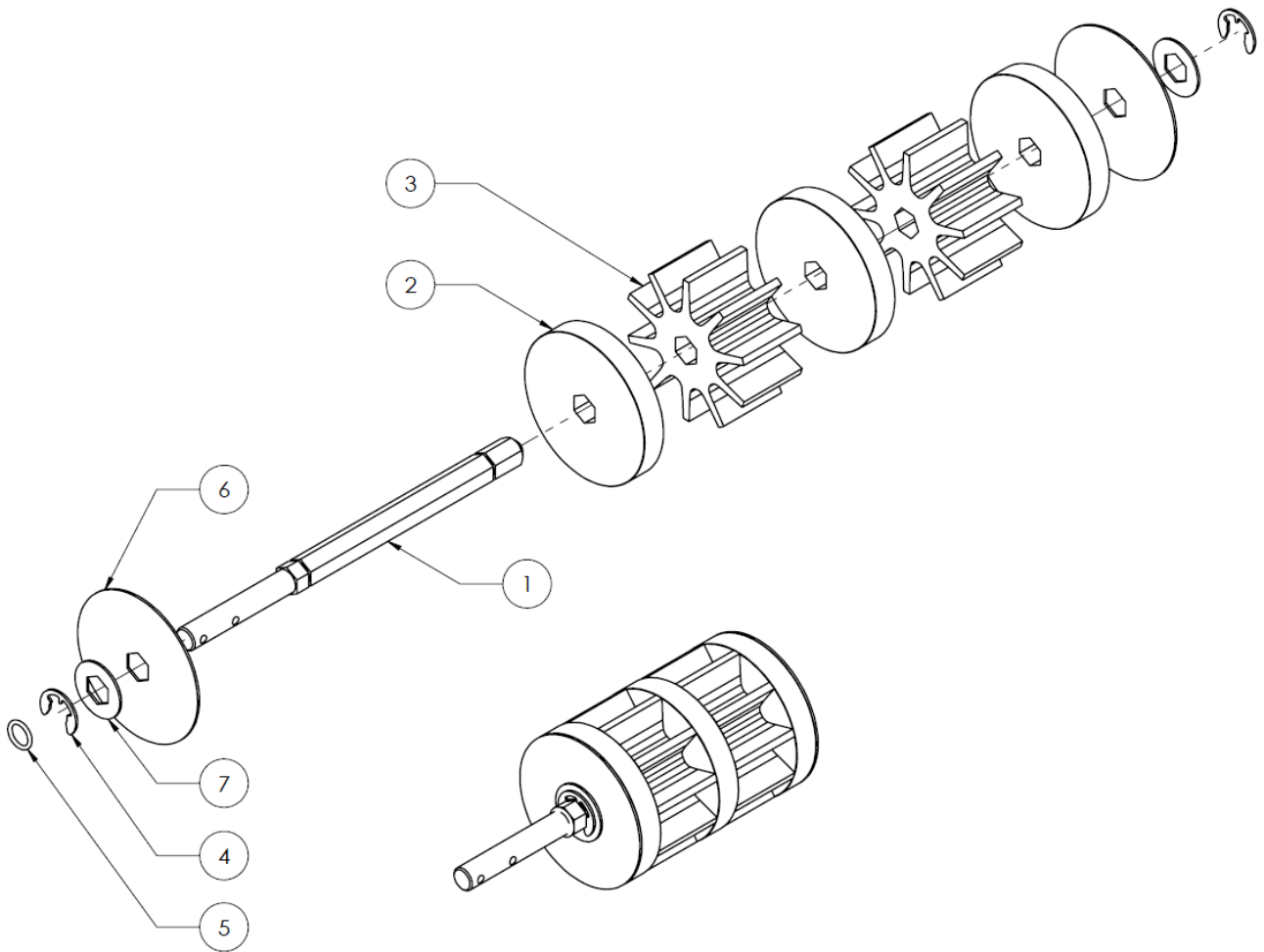




<b>S110.601</b>	<b>ROTOR DOSEUR</b>	<b>FR</b>	<b>03/2019</b>
-----------------	---------------------	-----------	----------------

<b>No. ARTICLE</b>	<b>NUMERO DE PIECE</b>	<b>DESCRIPTION</b>	<b>QTE</b>	<b>TARIF</b>
1	S109.830	ARBRE ROTOR	1	
2	S109.831	GROS GALET	1	
3	S109.832	PETIT GALET	2	
4	S109.711	BAGUE DE SECURITE Ø15	2	
5	S109.713	JOINT TORIQUE Ø14x2.5	1	
6	S110.686	RONDELLE BOUT DE DOSEUR	2	
7	S110.687	RONDELLE BOUT DE DOSEUR	2	
8	S112.473	ROULEAU DOSEUR 15cc	4	

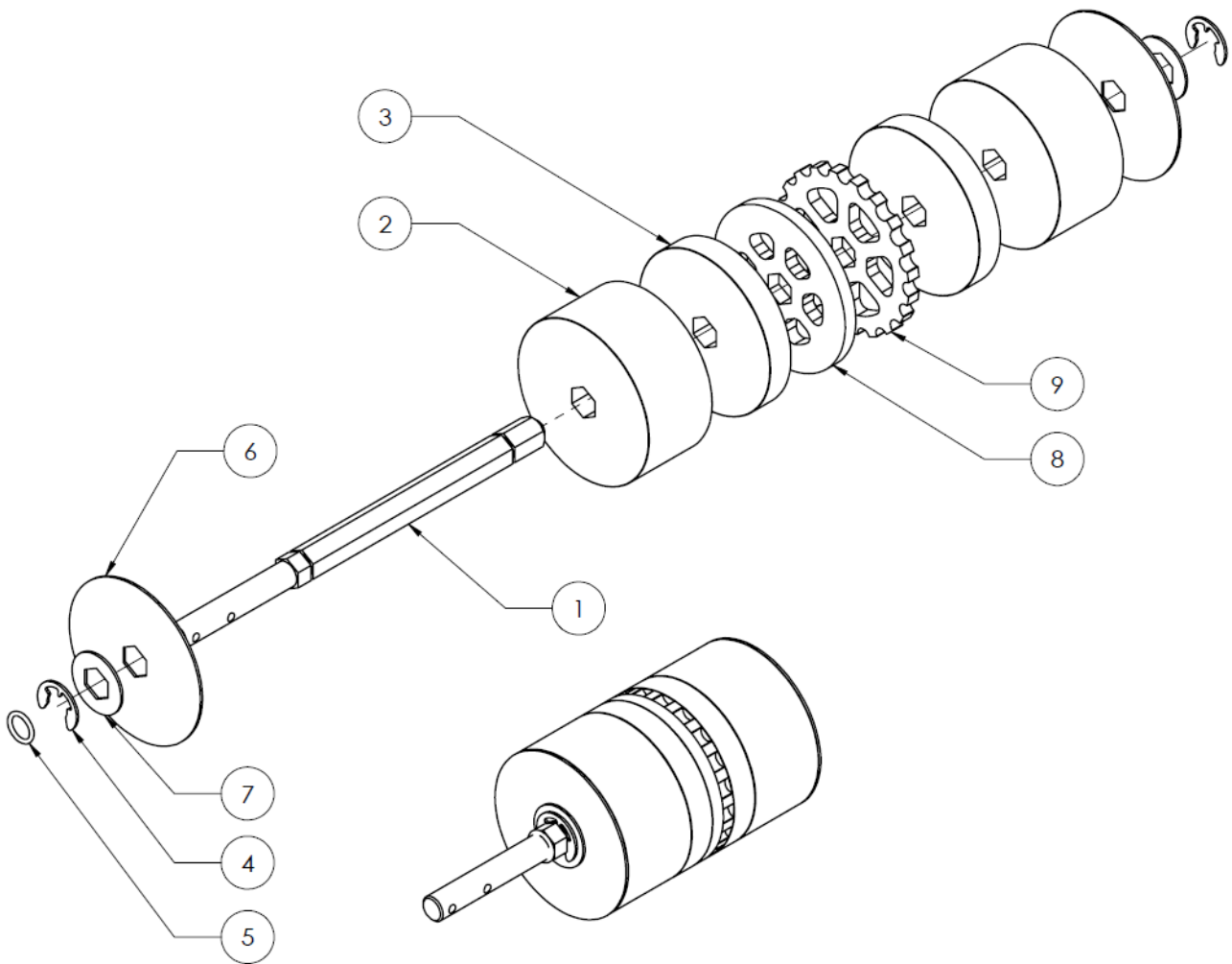
<b>No. ARTICLE</b>	<b>NUMERO DE PIECE</b>	<b>DESCRIPTION</b>	<b>QTE</b>	<b>TARIF</b>
1	S109.830	ARBRE ROTOR	1	
2	S109.831	GROS GALET	1	
3	S109.832	PETIT GALET	2	
4	S109.711	BAGUE DE SECURITE Ø15	2	
5	S109.713	JOINT TORIQUE Ø14x2.5	1	
6	S110.686	RONDELLE BOUT DE DOSEUR	2	
7	S110.687	RONDELLE BOUT DE DOSEUR	2	
8	S112.469	ROULEAU DOSEUR 25cc	4	



<b>S110.601</b>	<b>ROTOR DOSEUR</b>	<b>FR</b>	<b>03/2019</b>
-----------------	---------------------	-----------	----------------

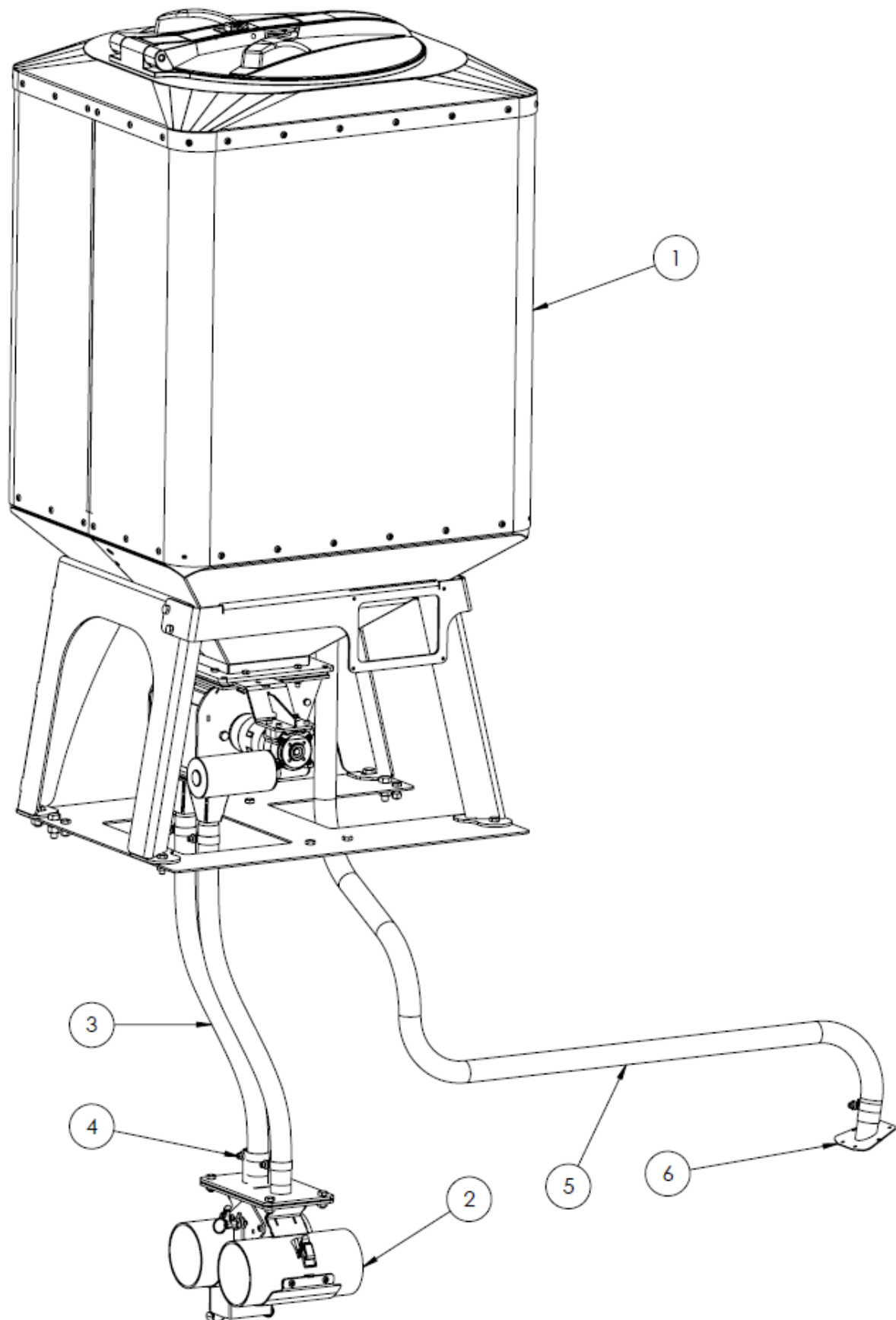
<b>No. ARTICLE</b>	<b>NUMERO DE PIECE</b>	<b>DESCRIPTION</b>	<b>QTE</b>	<b>TARIF</b>
1	S109.830	ARBRE ROTOR	1	
2	S109.832	PETIT GALET	3	
3	S109.834	GRAND PIGNON	2	
4	S109.711	BAGUE DE SECURITE Ø15	2	
5	S109.713	JOINT TORIQUE Ø14x2.5	1	
6	S110.686	RONDELLE BOUT DE DOSEUR	2	
7	S110.687	RONDELLE BOUT DE DOSEUR	2	

<b>No. ARTICLE</b>	<b>NUMERO DE PIECE</b>	<b>DESCRIPTION</b>	<b>QTE</b>	<b>TARIF</b>
1	S109.830	ARBRE ROTOR	1	
2	S109.832	PETIT GALET	5	
3	S109.711	BAGUE DE SECURITE Ø15	2	
4	S109.713	JOINT TORIQUE Ø14x2.5	1	
5	S110.686	RONDELLE BOUT DE DOSEUR	2	
6	S110.687	RONDELLE BOUT DE DOSEUR	2	
7	S112.473	ROULEAU DOSEUR 15cc	4	



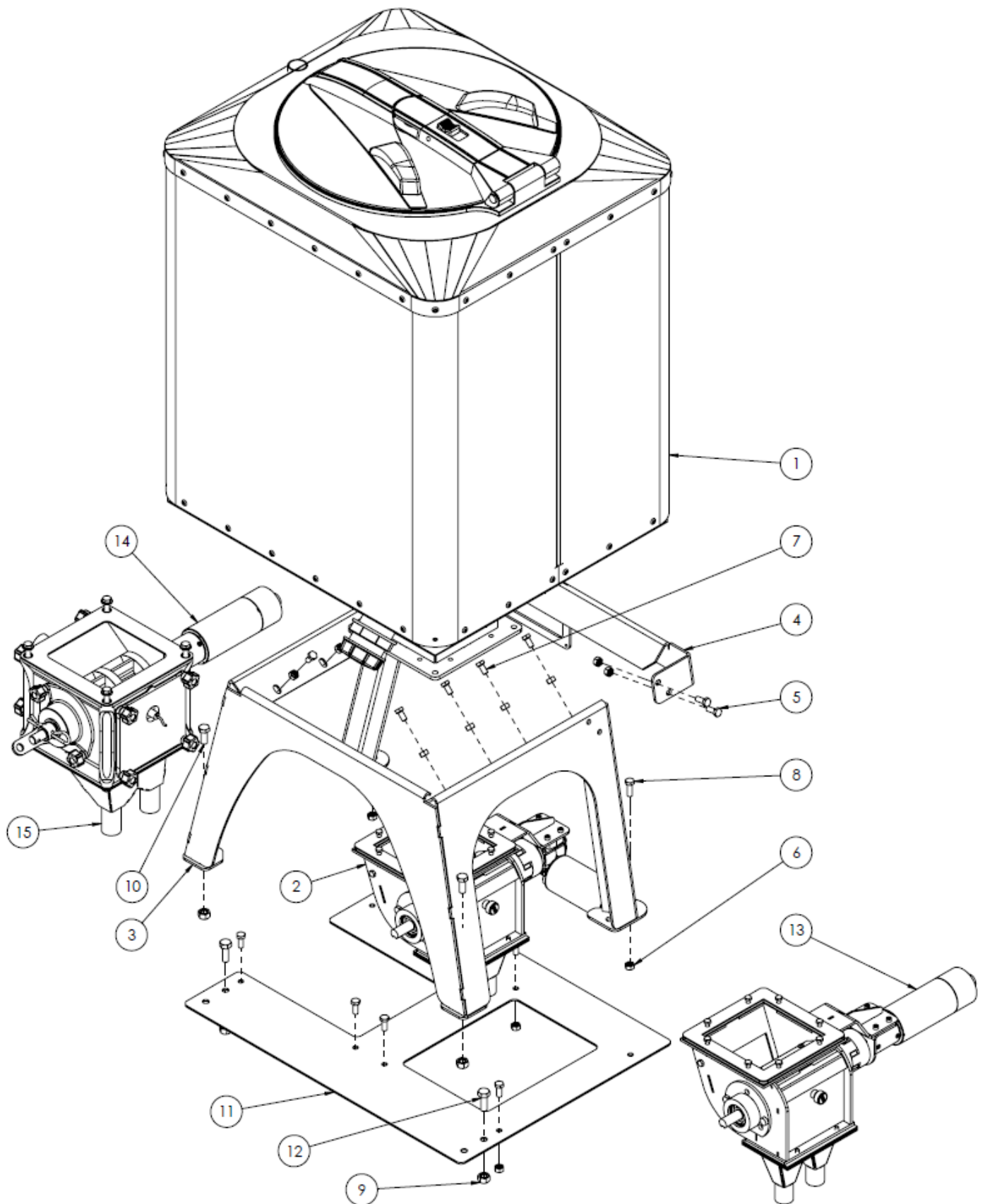
<b>S110.601</b>	<b>ROTOR DOSEUR</b>	<b>FR</b>	<b>03/2019</b>
-----------------	---------------------	-----------	----------------

<b>No. ARTICLE</b>	<b>NUMERO DE PIECE</b>	<b>DESCRIPTION</b>	<b>QTE</b>	<b>TARIF</b>
1	S109.830	ARBRE ROTOR	1	
2	S109.831	GROS GALET	2	
3	S109.832	PETIT GALET	2	
4	S109.711	BAGUE DE SECURITE Ø15	2	
5	S109.713	JOINT TORIQUE Ø14x2.5	1	
6	S110.686	RONDELLE BOUT DE DOSEUR	2	
7	S110.687	RONDELLE BOUT DE DOSEUR	2	
8	S111.452	ROULEAU PLEIN 8MM	1	
9	S112.476	ROULEAU DOSEUR 5cc	1	



<b>S115.150</b>	<b>KIT TREMIE PETITES GRAINES</b>	<b>FR</b>	<b>03/2019</b>
-----------------	-----------------------------------	-----------	----------------

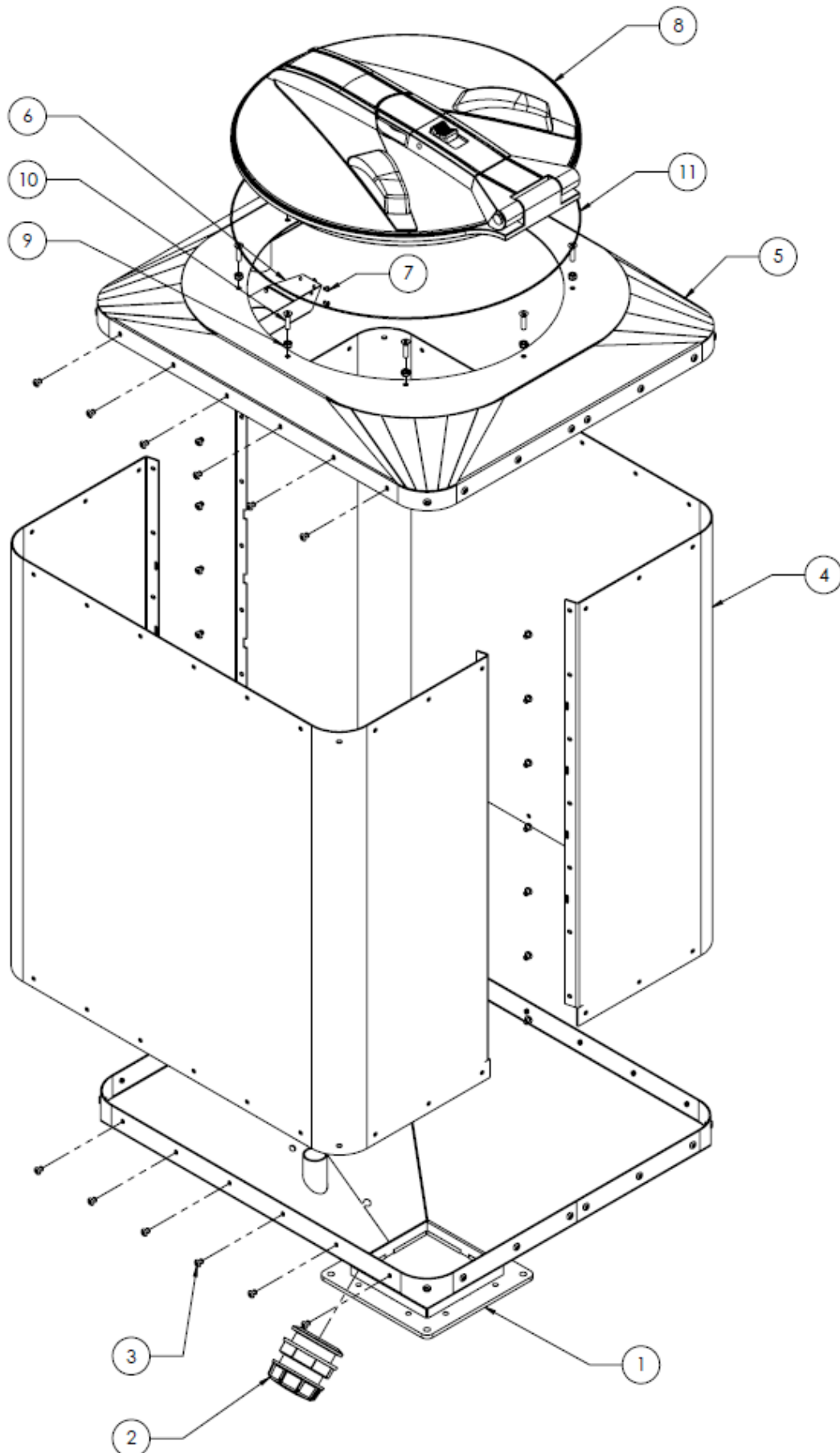
<b>No. ARTICLE</b>	<b>NUMERO DE PIECE</b>	<b>DESCRIPTION</b>	<b>QTE</b>	<b>TARIF</b>
1	S112.860	MONTAGE TREMIE ET DOSEUR PTE GRAINES COMPLET	1	
2	S112.921	ASSEMBLAGE BOITE A CLAPET	1	
3	S113.168	TUYAU SOUPLE D32	2	
4	S106.285	COLLIER DE SERRAGE Ø32-50mm INOX	6	
5	S115.151	TUYAU SOUPLE D32	1	
6	S112.962	PLAQUE AVEC TUBE Ø32	1	





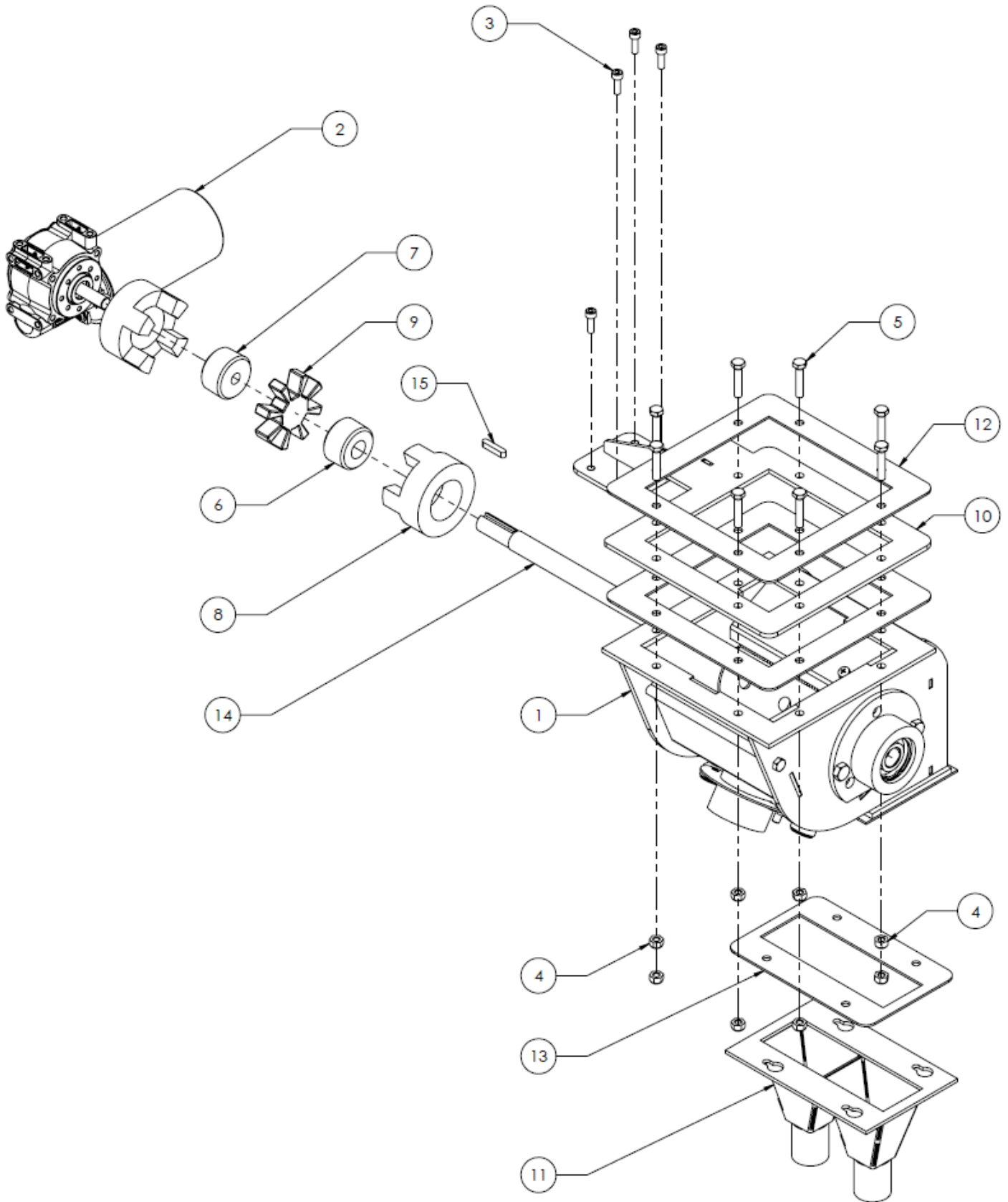
<b>S112.860</b>	<b>TREMIE PETITES GRAINES</b>	<b>FR</b>	<b>03/2019</b>
-----------------	-------------------------------	-----------	----------------

<b>No. ARTICLE</b>	<b>NUMERO DE PIECE</b>	<b>DESCRIPTION</b>	<b>QTE</b>	<b>TARIF</b>
1	S112.725	CUVE 280 L COMPLETE	1	
2	S112.861	DOSEUR PTE GRAINES	1	
3	S112.848	SUPPORT MECANO-SOUDE TREMIE PTE GRAINES	1	
4	S112.850	TRAVERSE SUPPORT BOITIER	1	
5	S100.491	BOULON M8x20 ZN	10	
6	S100.280	ECROU HEX FREIN M8 ZN	20	
7	S100.490	BOULON M8x16 ZN	8	
8	S100.272	BOULON M8x25 ZN	2	
9	S100.345	ECROU HEX FREIN M10 ZN	4	
10	S111.264	BOULON M10x25 ZN	2	
11	S112.983	TOLE SUPPORT TREMIE PTE GRAINES	1	
12	S100.270	BOULON M10x30 ZN	2	
13	S113.100	DOSEUR PTE GRAINES AVEC MOTOREDUCTEUR STANDARD	1	
14	S110.528	DOSEUR	1	
15	S112.967	BOITE SORTIE DOSEUR	1	



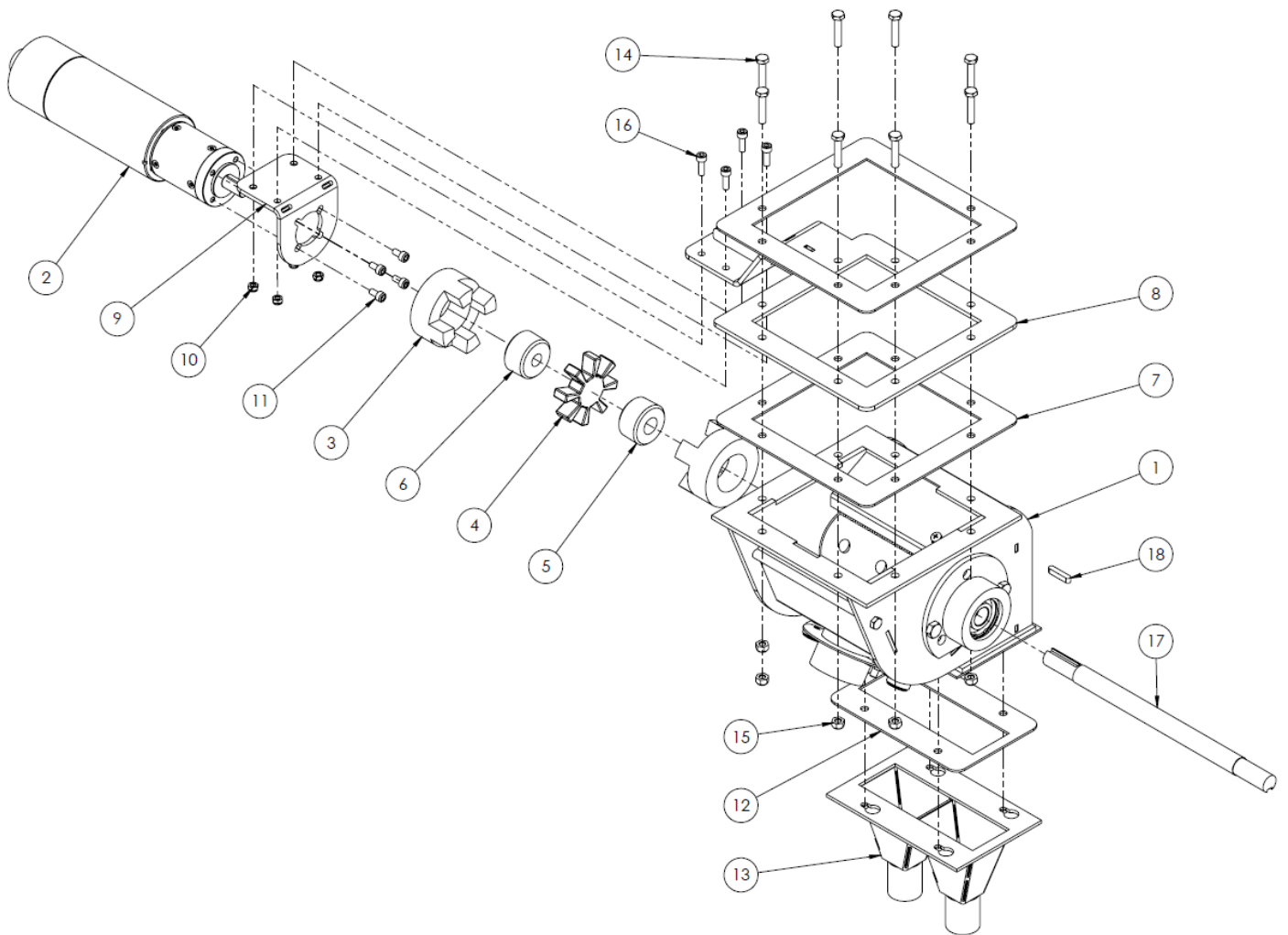
<b>S112.725</b>	<b>CUVE PETITES GRAINES 280L</b>	<b>FR</b>	<b>03/2019</b>
-----------------	----------------------------------	-----------	----------------

<b>No. ARTICLE</b>	<b>NUMERO DE PIECE</b>	<b>DESCRIPTION</b>	<b>QTE</b>	<b>TARIF</b>
1	S112.575	TREMIE BASSE	1	
2	S112.501	BOUCHON VIDANGE	1	
3	S109.143	RIVET 4.8x12 A2	70	
4	S112.574	DEMI-COQUE PETITE CUVE	2	
5	S112.573	HAUT PETITE CUVE	1	
6	S112.581	GRILLAGE PRESSU	1	
7	S112.082	RIVET 3.2x10 A2	10	
8	S112.494	BOUCHON ARAG	1	
9	S109.030	ECROU HEX FREIN M6 A2	8	
10	S113.574	VIS FHC M6x25 A2	8	
11	S113.981	JOINT ENTRE CUVE Ø462mm	1	



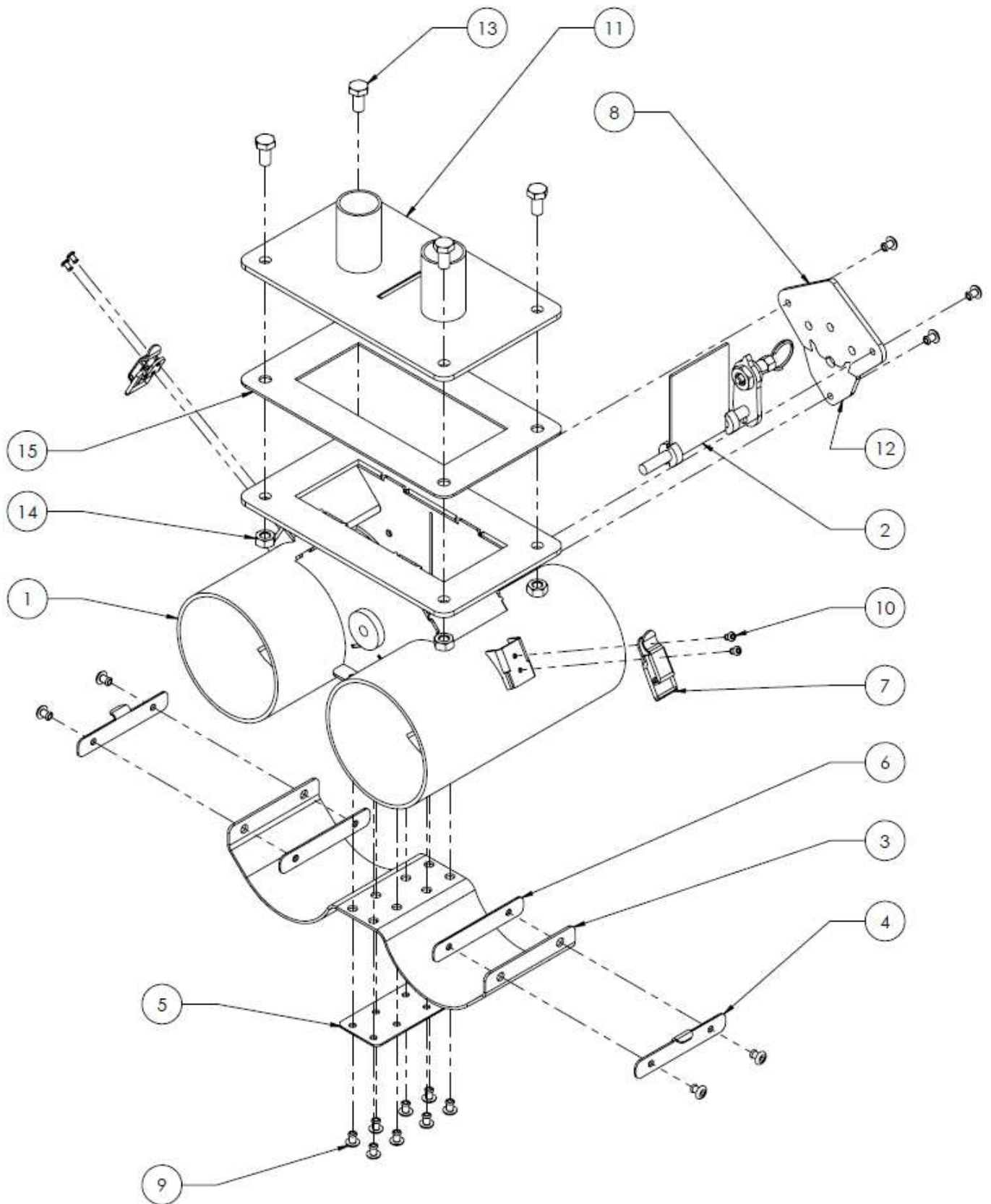
<b>S112.861</b>	<b>DOSEUR PETITES GRAINES</b>	<b>FR</b>	<b>03/2019</b>
-----------------	-------------------------------	-----------	----------------

<b>No. ARTICLE</b>	<b>NUMERO DE PIECE</b>	<b>DESCRIPTION</b>	<b>QTE</b>	<b>TARIF</b>
1	S110.976	DOSEUR PTE GRAINES	1	
2	S112.992	MOTORREDUCTEUR	1	
3	S113.059	BOULON CHC M5x16 ZN	4	
4	S107.400	ECROU HEX FREIN M6 ZN	8	
5	S107.094	BOULON M6x30 ZN	8	
6	S112.851	DOUILLE DE SERRAGE TAPERLOCK 16mm	1	
7	S112.840	DOUILLE DE SERRAGE TAPERLOCK 10mm	1	
8	S112.868	DEMI-ACOUPLEMENT Ø65	2	
9	S112.869	ETOILE SYNTHETIQUE	1	
10	S112.877	SUPPORT MOTOREDUCTEUR DOSEUR SEPEBA	1	
11	S112.991	SORTIE DOSEUR 2xØ32mm	1	
12	S112.959	JOINT DOSEUR SUPPORT MOTOREDUCTEUR	2	
13	S112.960	JOINT BOITE SORTIE DOSEUR	1	
14	S113.970	MODIF USINAGE ARBRE DOSEUR SEPEBA	1	
15	S113.971	CLAVETTE 5X5X25 INOX	1	



<b>S113.100</b>	<b>DOSEUR PETITES GRAINES</b>	<b>FR</b>	<b>03/2019</b>
-----------------	-------------------------------	-----------	----------------

<b>No. ARTICLE</b>	<b>NUMERO DE PIECE</b>	<b>DESCRIPTION</b>	<b>QTE</b>	<b>TARIF</b>
1	S110.976	DOSEUR PTE GRAINES	1	
2	S109.697	MOTEUR DOSEUR	1	
3	S112.868	DEMI-ACOUPLEMENT Ø65	2	
4	S112.869	ETOILE SYNTHETIQUE	1	
5	S112.851	DOUILLE DE SERRAGE TAPERLOCK 16mm	1	
6	S113.091	DOUILLE SERRAGE TAPERLOCK 12 mm	1	
7	S112.959	JOINT DOSEUR SUPPORT MOTOREDUCTEUR	2	
8	S112.877	SUPPORT MOTOREDUCTEUR DOSEUR SEPEBA	1	
9	S113.101	TOLE SUPPORT MOTOREDUCTEUR DUNKER	1	
10	S100.518	ECROU HEX FREIN M5	4	
11	S113.099	BOULON CHC M5x10 ZN	4	
12	S112.960	JOINT BOITE SORTIE DOSEUR	1	
13	S112.991	SORTIE DOSEUR 2xØ32mm	1	
14	S107.094	BOULON M6x30 ZN	8	
15	S107.400	ECROU HEX FREIN M6 ZN	8	
16	S113.059	BOULON CHC M5x16 ZN	4	
17	S113.970	MODIF USINAGE ARBRE DOSEUR SEPEBA	1	
18	S113.971	CLAVETTE 5X5X25 INOX	1	

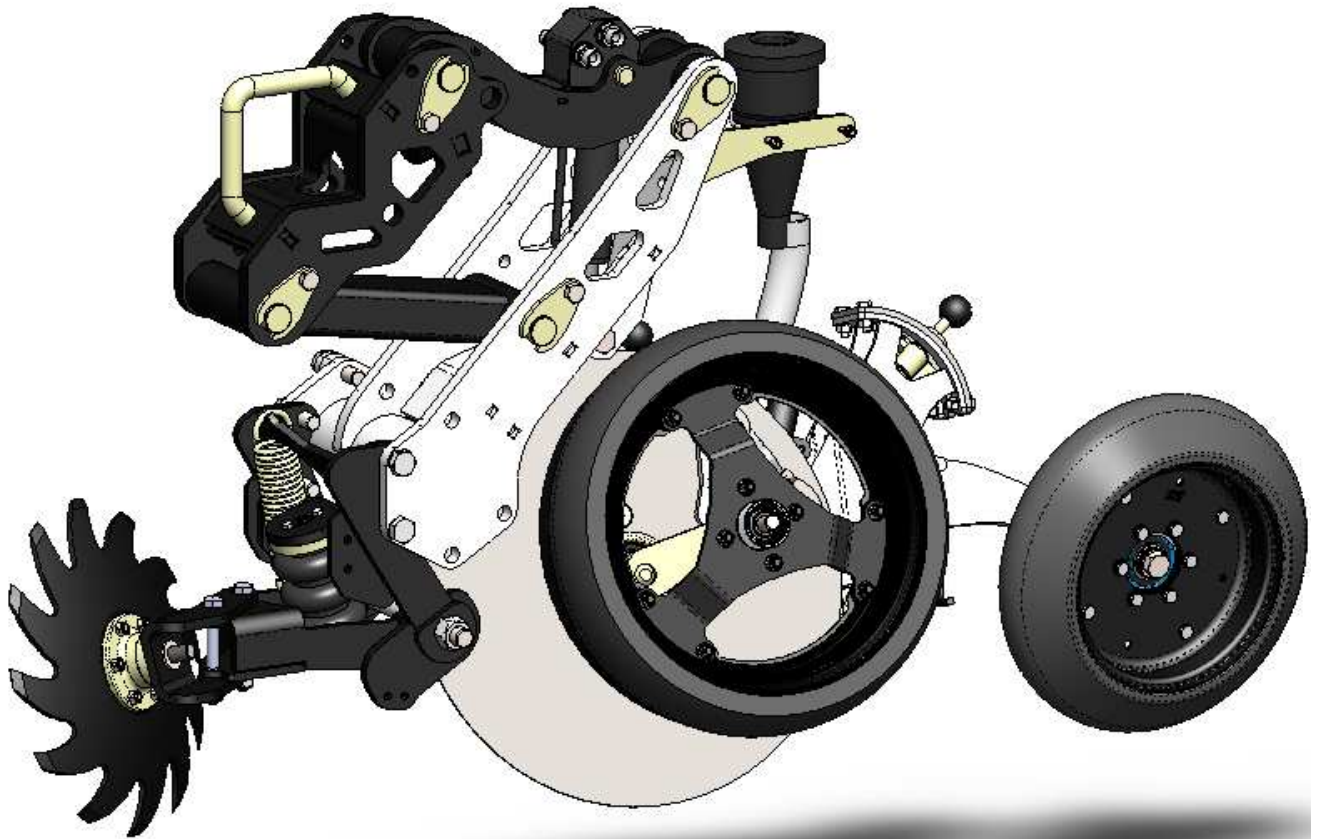


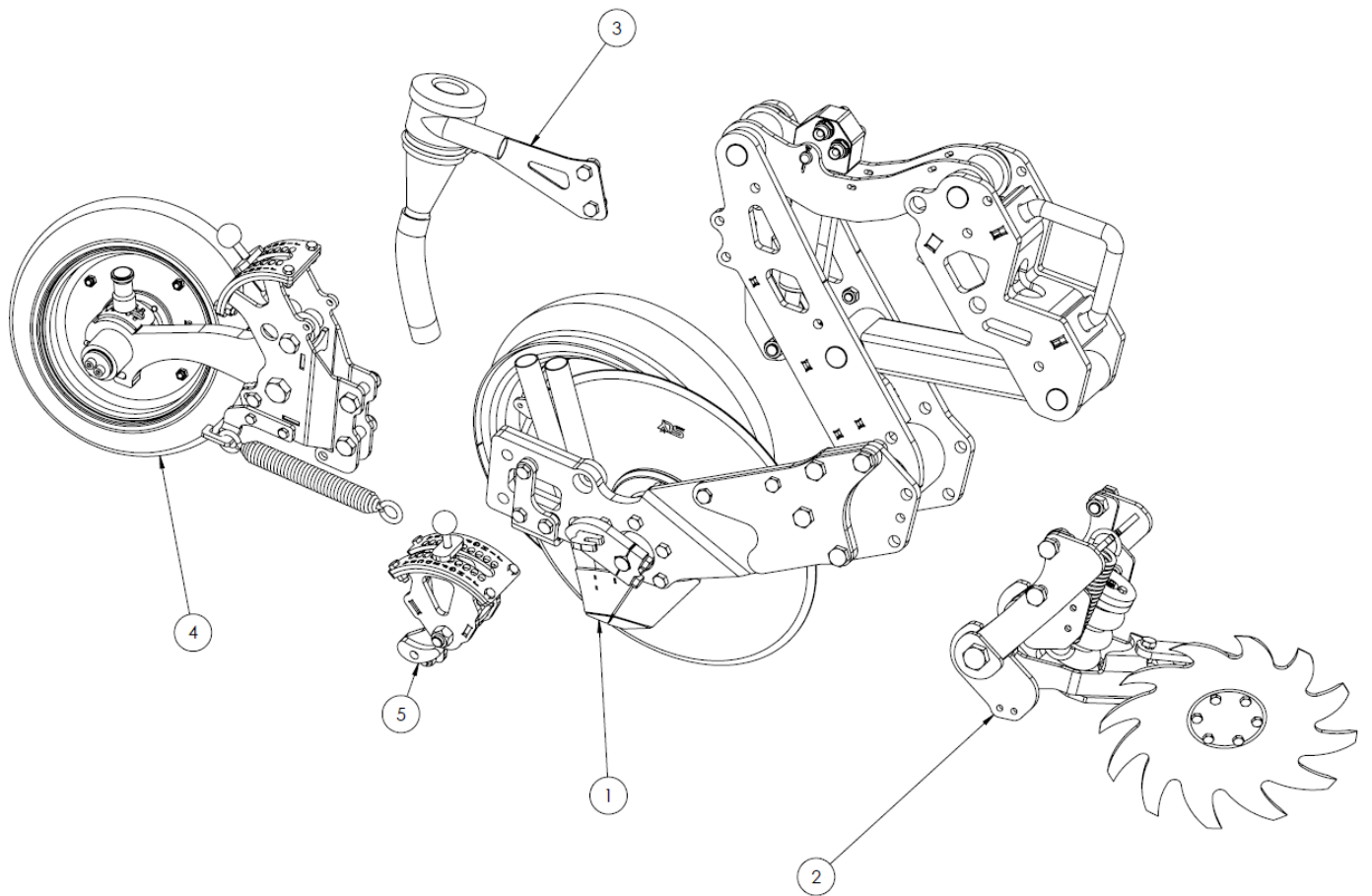


<b>S112.921</b>	<b>BOITE A CLAPET</b>	<b>FR</b>	<b>03/2019</b>
-----------------	-----------------------	-----------	----------------

<b>No. ARTICLE</b>	<b>NUMERO DE PIECE</b>	<b>DESCRIPTION</b>	<b>QTE</b>	<b>TARIF</b>
1	S112.922	CARTER BOITE A CLAPET PTE GRAINES	1	
2	S112.957	MONTAGE CLAPET	1	
3	S112.941	LANGUETTE INJECTEUR DOUBLE	1	
4	S112.942	CROCHET DE LANGUETTE	2	
5	S112.943	PLATINE INJECTEUR DOUBLE	1	
6	S112.944	CROCHET DE LANGUETTE	2	
7	S111.133	SAUTERELLE CLIPS 50MM	2	
8	S112.945	PLATINE SUP	1	
9	S109.143	RIVET 4.8x12 A2	15	
10	S112.082	RIVET 3.2x10 A2	4	
11	S112.949	ENTREE BOITE A CLAPET PTE GRAINE	1	
12	S112.950	PLATINE INF	1	
13	S100.490	BOULON M8x16 ZN	4	
14	S100.511	ECROU HEX NORMAL M8 ZN	4	
15	S112.954	JOINT	1	

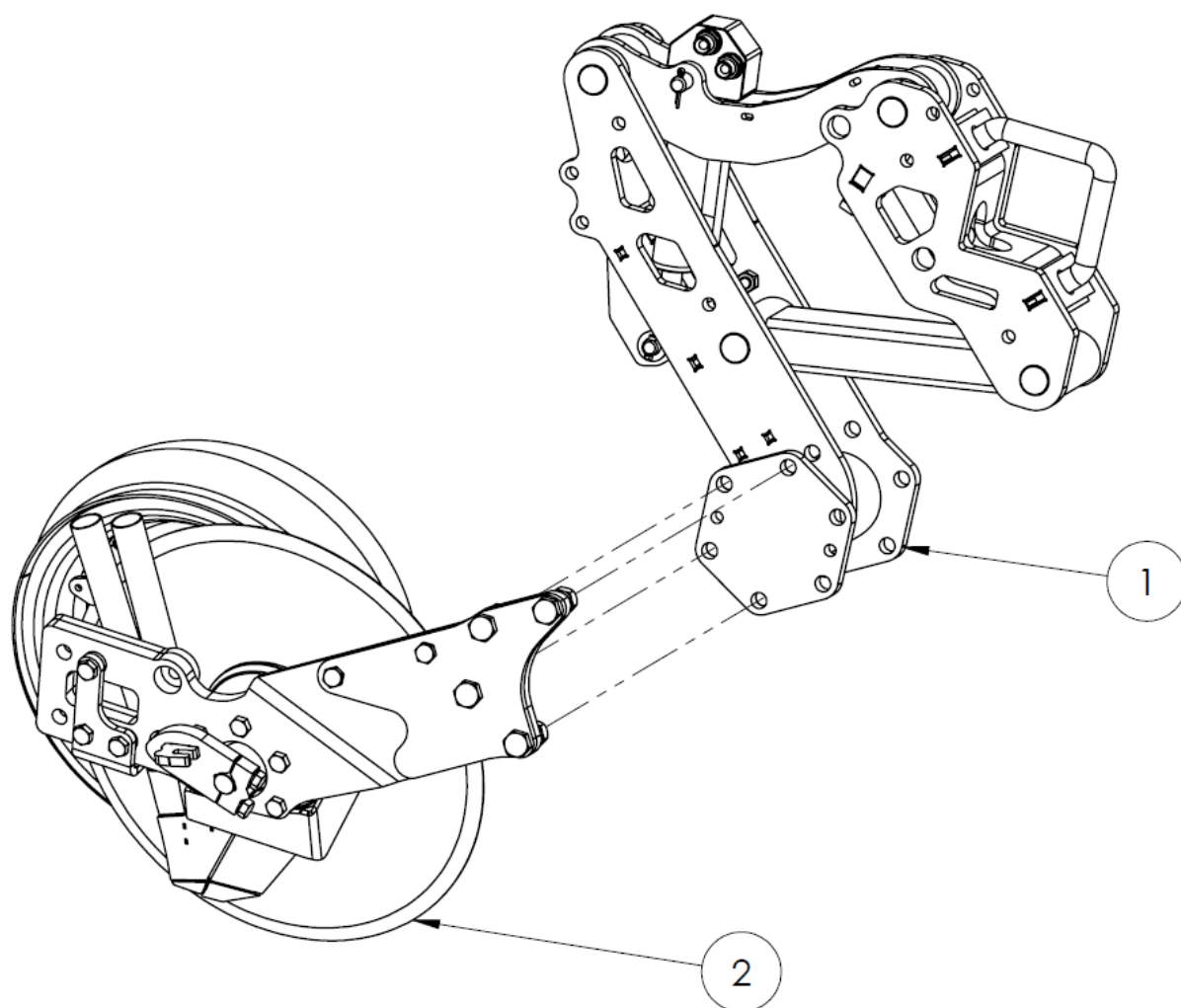
# ELEMENT BOSS





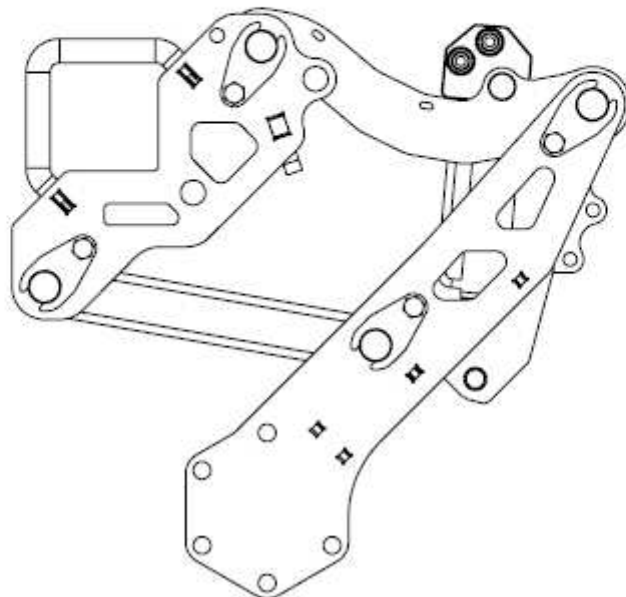
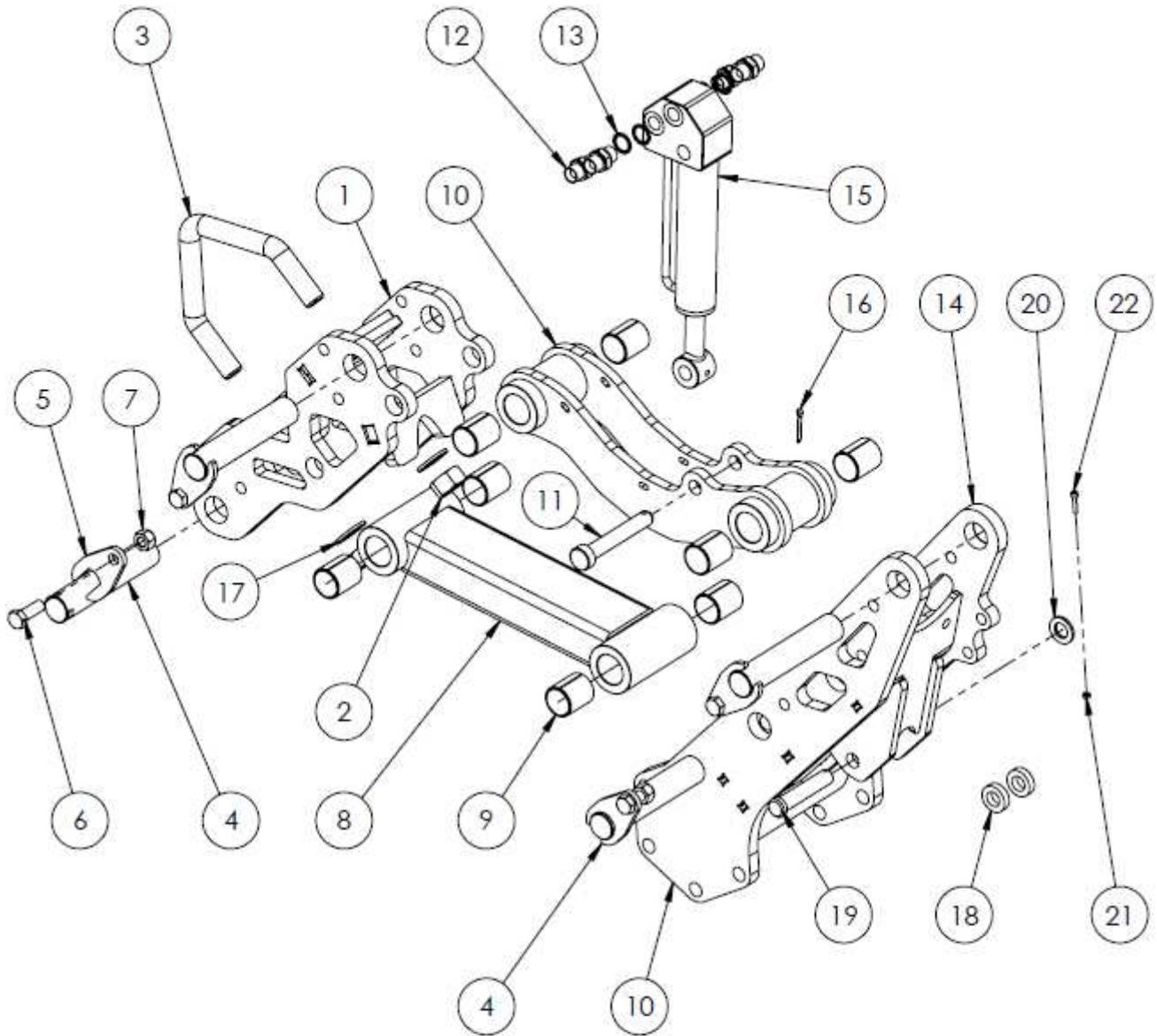
<b>S111.263RH</b>	<b>ELEMENT BOSS RH</b>	<b>FR</b>	<b>03/2019</b>
-------------------	------------------------	-----------	----------------

<b>No. ARTICLE</b>	<b>NUMERO DE PIECE</b>	<b>DESCRIPTION</b>	<b>QTE</b>	<b>TARIF</b>
1	S110.063RH	ELEMENT FRONT ASSEMBLAGE RH	1	
2	S111.207RH	CHASSE DEBRIS RH ASSEMBLAGE	1	
3	S111.444RH	DECOMPRESSEUR AVEC SUPPORT	1	
4	S114.119RH	ROUE DE RAPPUI RH	1	
5	S112.201RH	ASSEMBLAGE REGLAGE ROUE LATERAL RH	1	



<b>S110.063RH</b>	<b>ELEMENT SEMEUR RH</b>	<b>FR</b>	<b>03/2019</b>
-------------------	--------------------------	-----------	----------------

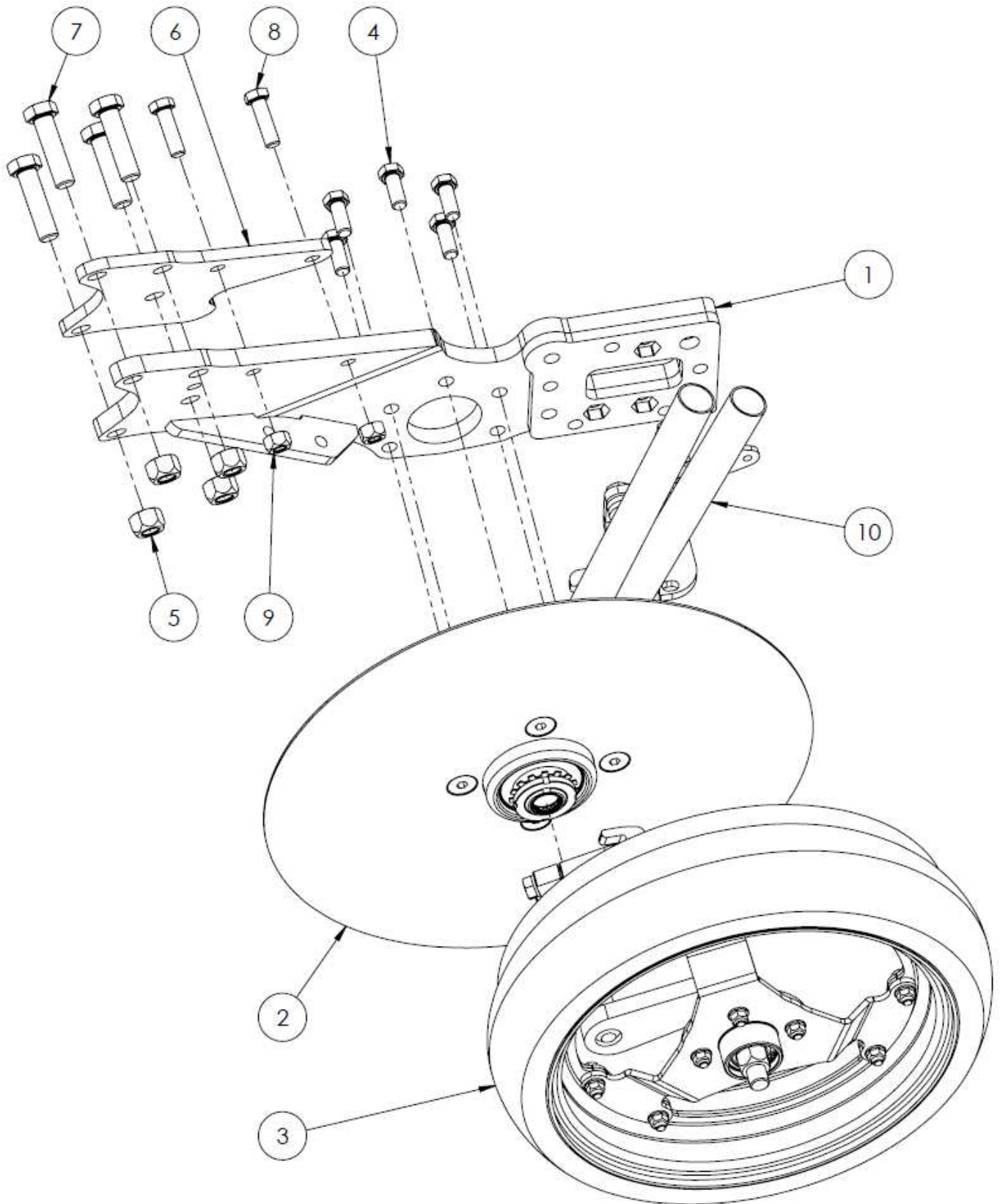
<b>No. ARTICLE</b>	<b>NUMERO DE PIECE</b>	<b>DESCRIPTION</b>	<b>QTE</b>	<b>TARIF</b>
1	S112.328RH	ELEMENT FRONT ASSEMBLAGE RH	1	
2	S112.351RH	ELEMENT FRONT ASSEMBLAGE RH	1	



<b>S112.328RH</b>	<b>ELEMENT SEMEUR RH</b>	<b>FR</b>	<b>03/2019</b>
-------------------	--------------------------	-----------	----------------

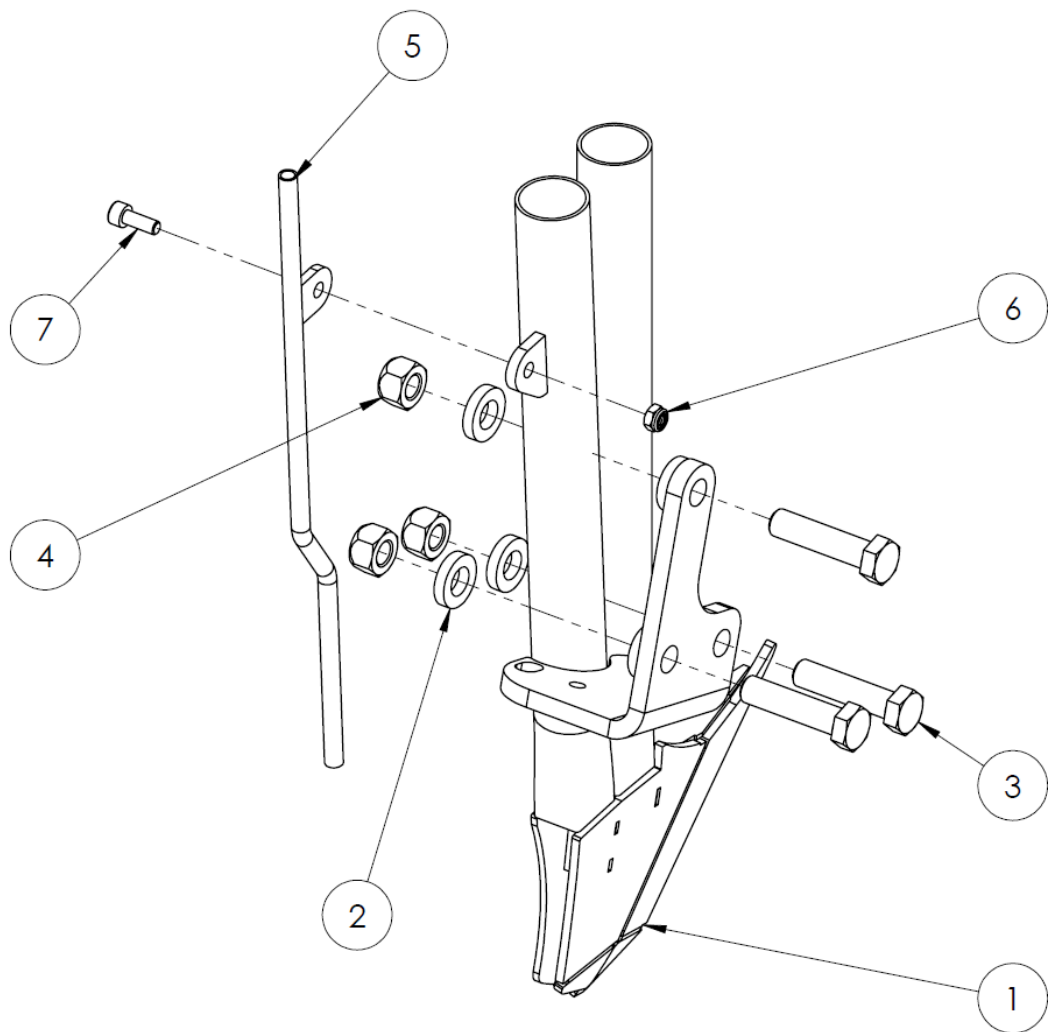
<b>No. ARTICLE</b>	<b>NUMERO DE PIECE</b>	<b>DESCRIPTION</b>	<b>QTE</b>	<b>TARIF</b>
1	S110.059	TETE DE MONTAGE	1	
2	S100.516	ECROU HEX NORMAL M22 ZN	2	
3	S109.785	BRIDE 100x100 M22 45°	1	
4	S109.982	AXE Ø30x156mm	4	
5	S109.981	PLAQUE	4	
6	S100.267	BOULON M12x35 ZN	4	
7	S100.279	ECROU HEX FREIN M12 ZN	4	
8	S103.360	PARALLEL ARM ASSEMBLY	1	
9	S108.709	BAGUE ACIER 30/34x40mm	8	
10	S110.056	BRAS PARALLELOGRAMME SUPERIEUR	1	
11	S110.666	AXE Ø16x97mm	1	
12	S101.952	ADAPTATEUR MALE - MALE 3/8BSP - 3/8BSP	4	
13	S100.429	JOINT HYDRAULIQUE Ø17mm	4	
14	S110.311RH	CORPS D'ELEMENT RH	1	
15	S109.958	VERIN HYDRAULIQUE Ø32/20mm S=100mm	1	
16	S110.819	GOUPILLE FENDUE Ø4x28mm ZN	1	
17	S100.281	RONDELLE PLATE Ø22	2	
18	S111.602	RONDELLE Ø17/30x8mm	2	
19	S110.432	AXE Ø16x78mm ZN	1	
20	S100.283	RONDELLE PLATE Ø16	1	
21	S100.342	ECROU HEX FREIN M4 ZN	1	
22	S112.401	BOULON CHC M4x20 ZN	1	





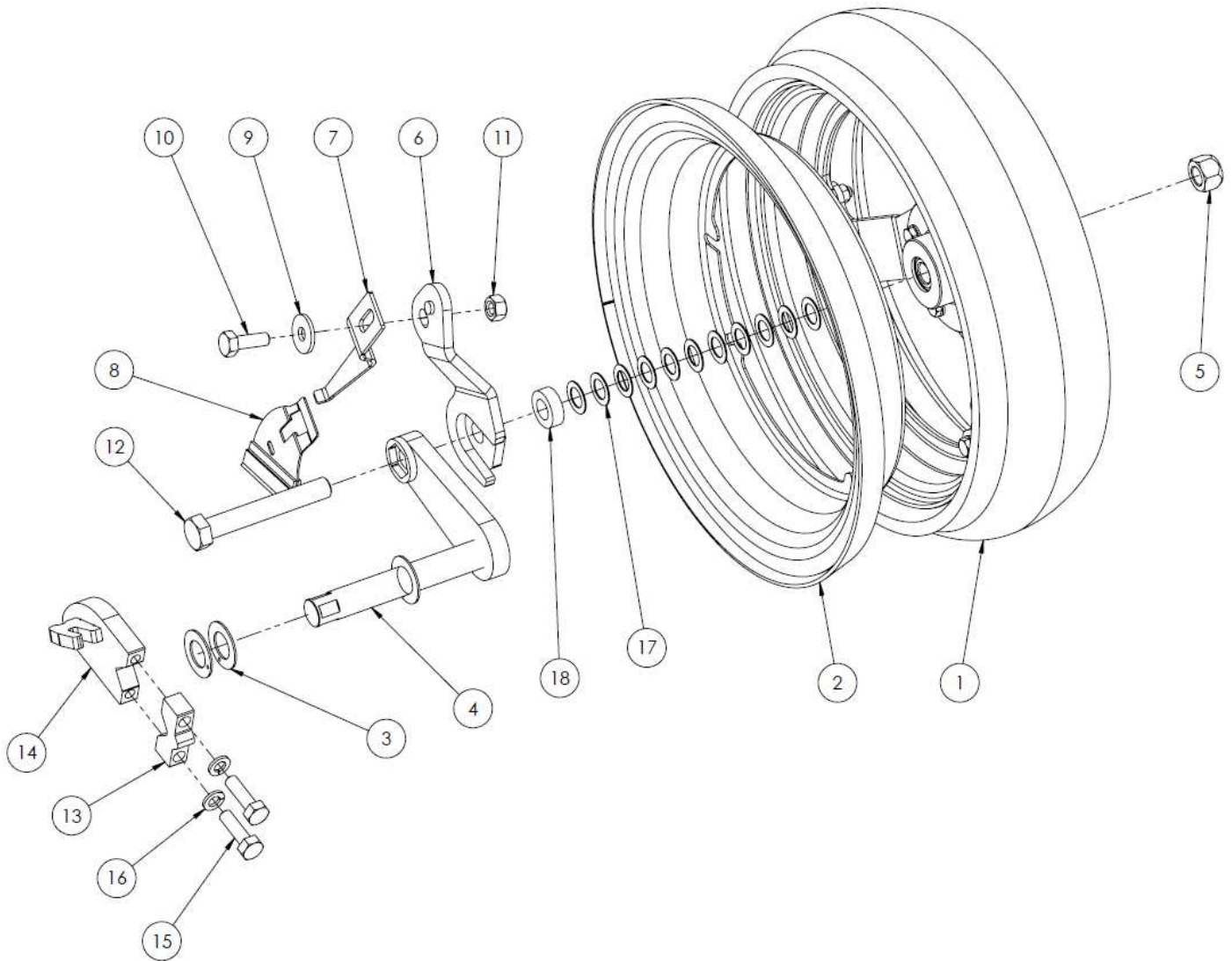
<b>S112.351RH</b>	<b>ELEMENT SEMEUR RH</b>	<b>FR</b>	<b>03/2019</b>
-------------------	--------------------------	-----------	----------------

<b>No. ARTICLE</b>	<b>NUMERO DE PIECE</b>	<b>DESCRIPTION</b>	<b>QTE</b>	<b>TARIF</b>
1	S110.907RH	SUPPORT DE DISQUE RH	1	
2	S107.439	ENSEMBLE DISQUE MOYEU	1	
3	S111.224RH	NO SCRAPER AT ALL	1	
4	S100.496	BOULON M12x30 ZN	5	
5	S100.276	ECROU HEX FREIN M16 ZN	4	
6	S111.827	PLAQUE	1	
7	S100.477	BOULON M16x60 ZN	4	
8	S100.465	BOULON M12x40 ZN	2	
9	S100.279	ECROU HEX FREIN M12 ZN	2	
10	S113.272RH	SOC COMPLET RH	1	



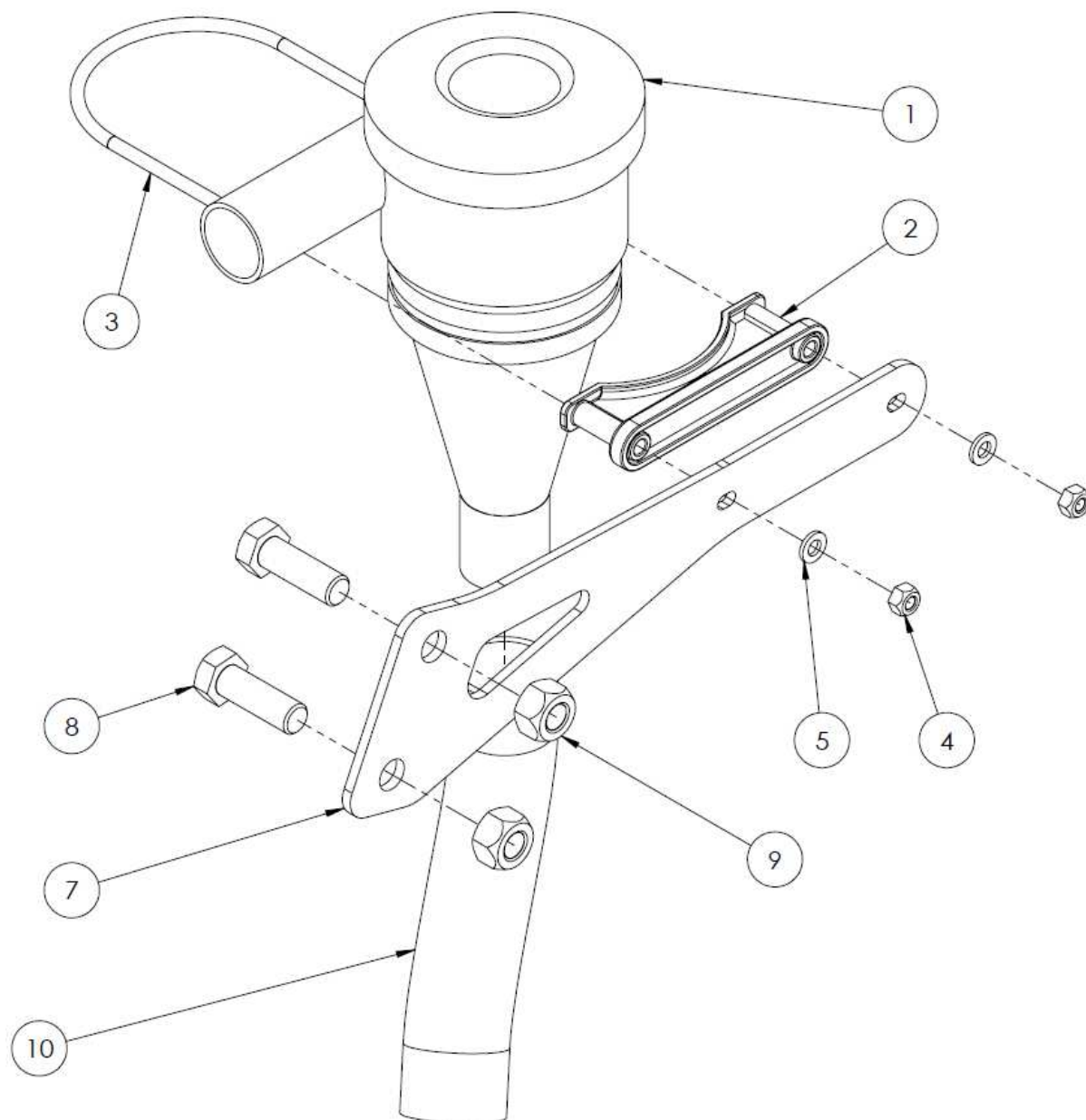
<b>S113.272RH</b>	<b>SOC RH</b>	<b>FR</b>	<b>03/2019</b>
-------------------	---------------	-----------	----------------

<b>No. ARTICLE</b>	<b>NUMERO DE PIECE</b>	<b>DESCRIPTION</b>	<b>QTE</b>	<b>TARIF</b>
1	S113.196RH	SOC RH	1	
2	S100.365	RONDELLE SOUPLE Ø14	6	
3	S100.467	BOULON M12x50 ZN	3	
4	S100.279	ECROU HEX FREIN M12 ZN	3	
5	S113.779	TUBE ENGRAIS LIQUIDE	1	
6	S109.030	ECROU HEX FREIN M6 A2	1	
7	S109.002	BOULON CHC M6x16 A2	1	



<b>S111.224RH</b>	<b>ROUE LATERALE RH</b>	<b>FR</b>	<b>03/2019</b>
-------------------	-------------------------	-----------	----------------

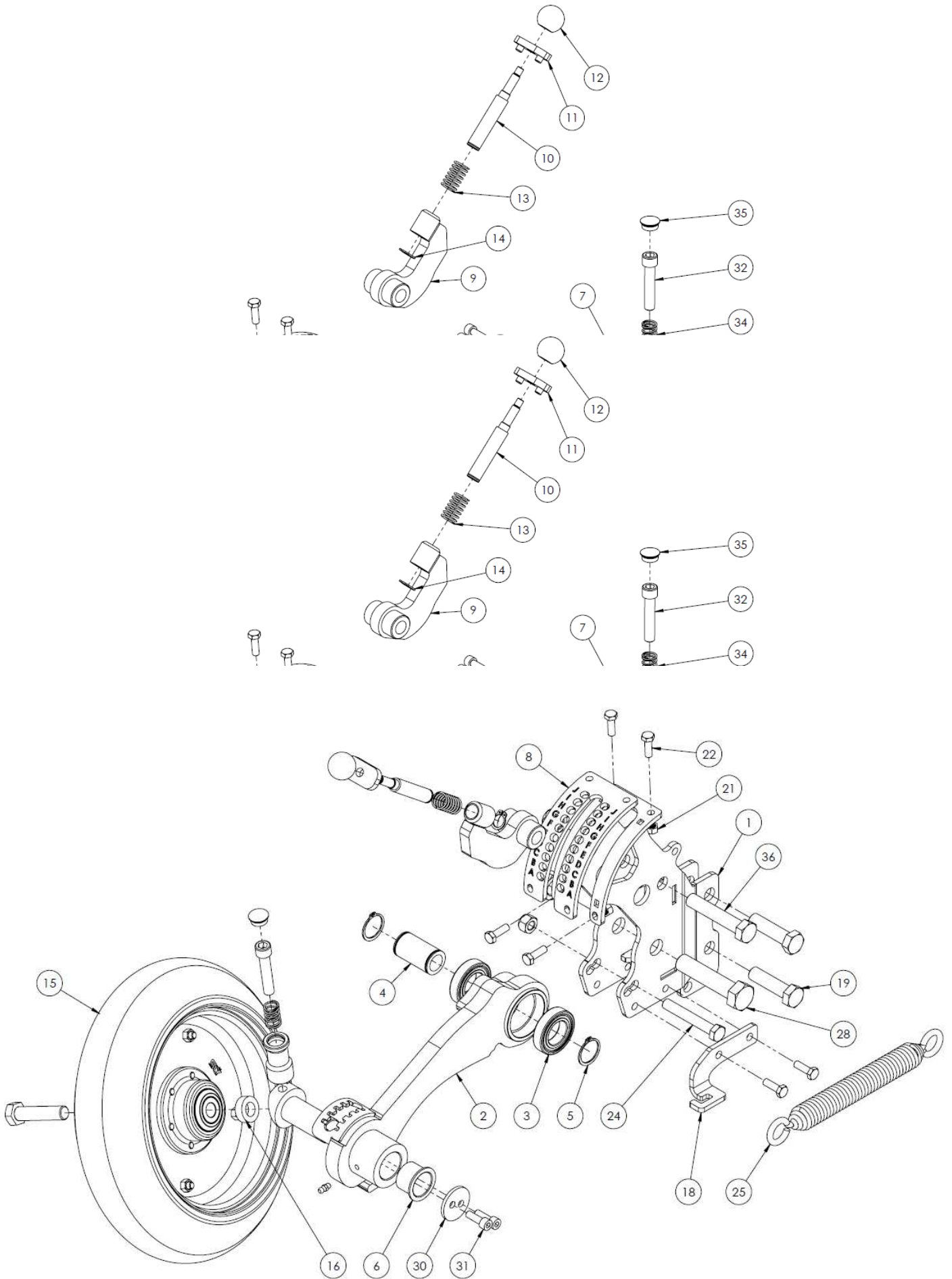
<b>No. ARTICLE</b>	<b>NUMERO DE PIECE</b>	<b>DESCRIPTION</b>	<b>QTE</b>	<b>TARIF</b>
1	S110.659	ROUE Ø400x120mm	1	
2	S110.626	SCRAPER WHEEL ASSEMBLY	1	
3	S112.511	RONDELLE Z 22/38/1.5	3	
4	S103.478	BRAS ROUE LATERAL	1	
5	S100.276	ECROU HEX FREIN M16 ZN	1	
6	S103.456 RH	BLADE SCRAPER INT MOUNT RH	1	
7	S103.625	MUD SCRAPER ARM	1	
8	S103.621 LH	SCRAPER LH	1	
9	S103.626	RONDELLE 30 x 10.5 x 3mm	1	
10	S100.270	BOULON M10x30 ZN	1	
11	S100.345	ECROU HEX FREIN M10 ZN	1	
12	S100.401	BOULON M16x110 ZN	1	
13	S103.481	CLAMP CW LEAVER	1	
14	S110.859RH	LEVRIER RH	1	
15	S111.239	BOULON M10x35 10.9 ZN	2	
16	S100.529	RONDELLE GROWER Ø10	2	
17	S111.305	RONDELLE Ø16.5/26 x 4mm	11	
18	S107.467	ENTRETOISE LASER Ø16.5-30-10	1	



S111.444RH	CYCLONE RH	FR	03/2019
------------	------------	----	---------

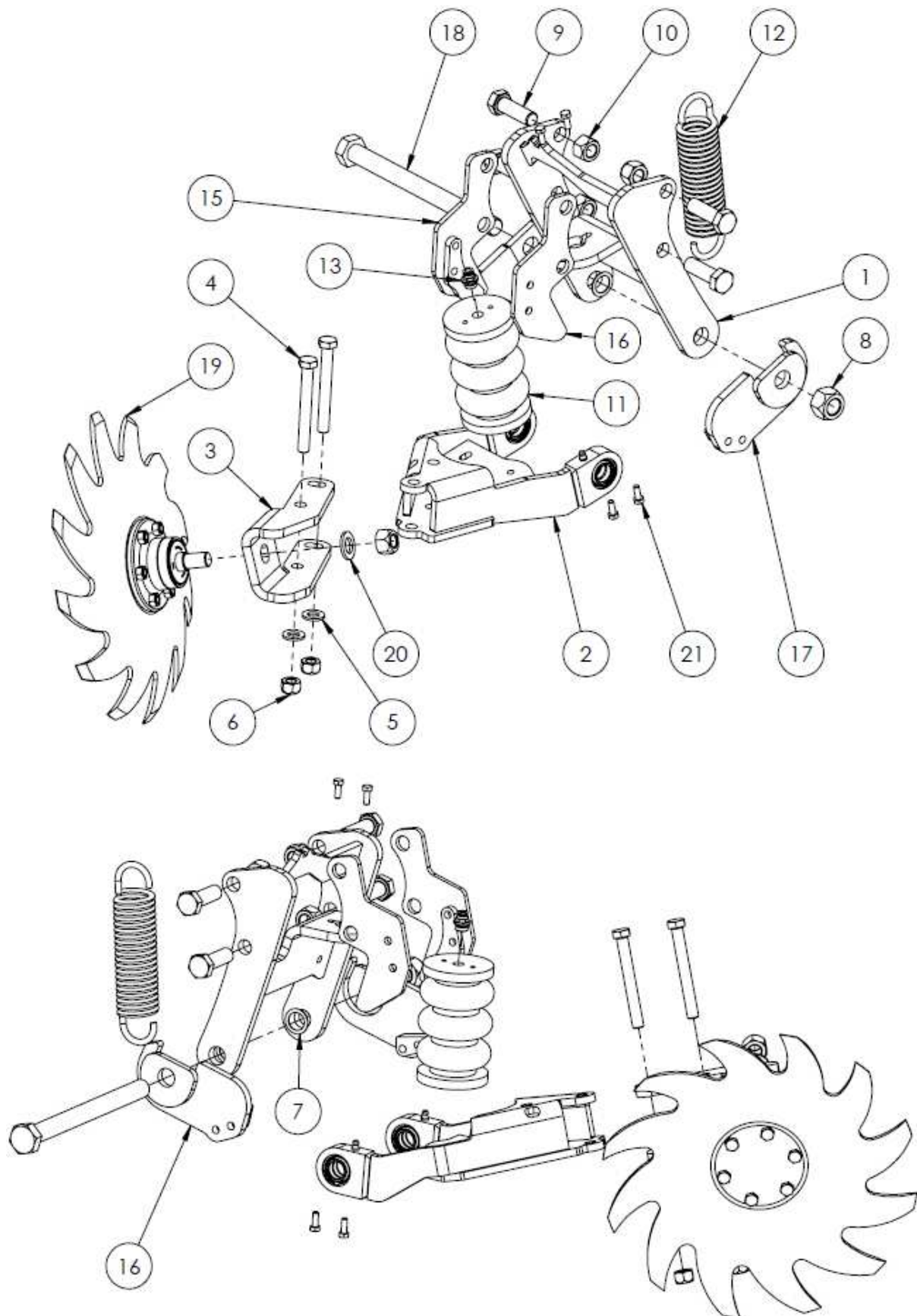
No. ARTICLE	NUMERO DE PIECE	DESCRIPTION	QTE	TARIF
1	S105.068	CYCLONE D-CUP SIMPLE	1	
2	S105.069	SUPPORT CYCLONE	1	
3	S114.107	BRIDE TUBE Ø80 M6	1	
4	S107.400	ECROU HEX FREIN M6 ZN	2	
5	S100.527	RONDELLE PLATE Ø6	2	
6	S110.920	SUPPORT CYCLONE	1	
7	S100.267	BOULON M12x35 ZN	2	
8	S100.279	ECROU HEX FREIN M12 ZN	2	
9	S112.202	TUYAU PU Ø32x3 L150	1	





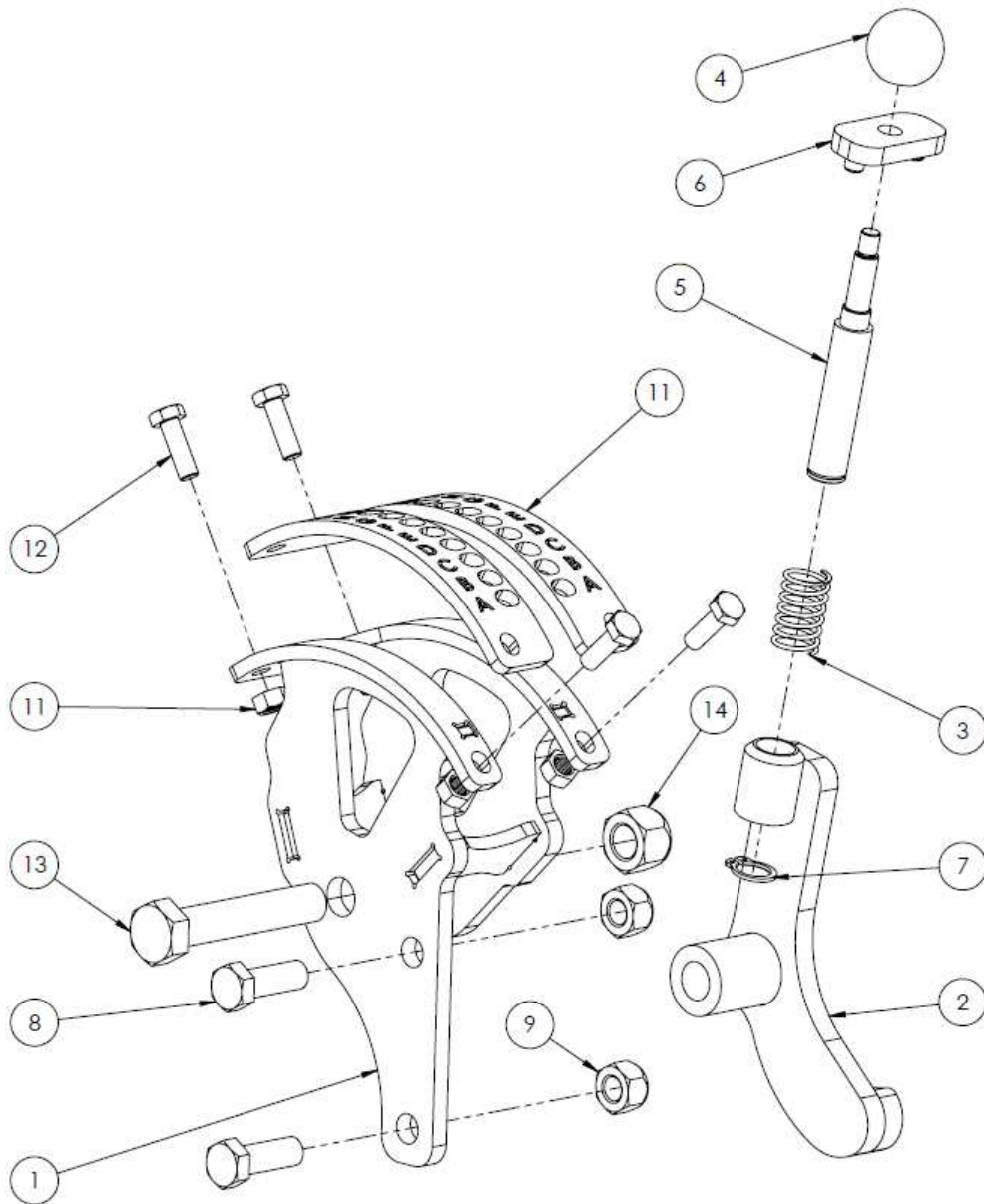
<b>S114.119RH</b>	<b>ROUE DE RAPPUI RH</b>	<b>FR</b>	<b>03/2019</b>
-------------------	--------------------------	-----------	----------------

<b>No. ARTICLE</b>	<b>NUMERO DE PIECE</b>	<b>DESCRIPTION</b>	<b>QTE</b>	<b>TARIF</b>
1	S114.110	CORP DE RAPPUI	1	
2	S114.112RH	BRAS ARRIERE RH	1	
3	S100.167	ROULEMENT 6006 2RS	2	
4	S114.115	BAGUE Ø30/20,5-54	1	
5	S100.246	CIRCLIP EXT Ø30	2	
6	S102.952	BAGUE ACIER AVEC COLLERETTE 30/34x26mm	2	
7	S103.577	GRAISSEUR M6 DROIT	1	
8	S114.254	PLAQUE DE REGLAGE	1	
9	S114.406	SUPPORT CAME	1	
10	S114.247	AXE Ø16x110mn	1	
11	S114.248	PLAQUE	1	
12	S110.867	BOULE	1	
13	S111.678	RESSORT Ø20mm ØFIL1.8mm L0=33mm	1	
14	S105.141	CIRCLIP EXT Ø16 A2	1	
15	S112.703	ASSEMBLAGE ROUE ARRIERE	1	
16	S107.467	ENTRETOISE LASER Ø16.5-30-10	1	
17	S114.276	AXE	1	
18	S112.699RH	SUPPORT RESSORT RH	1	
19	S100.477	BOULON M16x60 ZN	2	
20	S100.276	ECROU HEX FREIN M16 ZN	3	
21	S100.280	ECROU HEX FREIN M8 ZN	6	
22	S100.272	BOULON M8x25 ZN	6	
23	S100.279	ECROU HEX FREIN M12 ZN	1	
24	S111.648	BOULON M12x80 ZN	1	
25	S110.898	RESSORT DE TRACTION Ø30x5x268mm	1	
26	S100.263	BOULON M16x70 ZN	1	
27	S100.283	RONDELLE PLATE Ø16	1	
28	S100.255	BOULON M20x90 ZN	1	
29	S100.275	ECROU HEX FREIN M20 ZN	1	
30	S111.853	PLAQUE	1	
31	S107.091	BOULON CHC M8x25 ZN	2	
32	S114.427	BOULON CHC M12x60 10.9 ZN	1	
33	S114.435	MANETTE	1	
34	S114.437	RESSORT DE COMPRESSION	1	
35	S114.436	BOUCHON NYLON Ø19mm NOIR	1	
36	S106.812	BOULON M16x85 ZN	1	



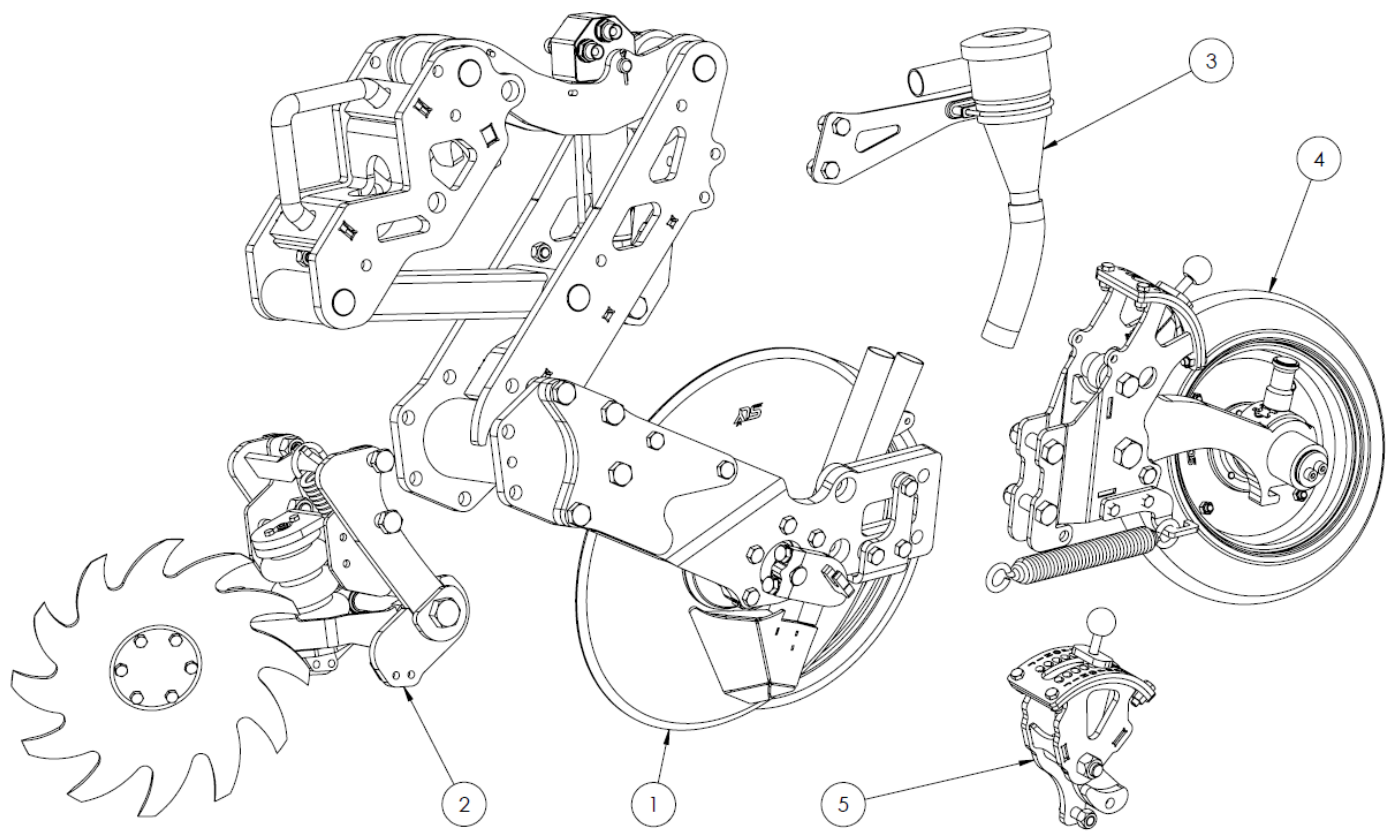
<b>S111.207RH</b>	<b>CHASSE DEBRIS RH</b>	<b>FR</b>	<b>03/2019</b>
-------------------	-------------------------	-----------	----------------

<b>No. ARTICLE</b>	<b>NUMERO DE PIECE</b>	<b>DESCRIPTION</b>	<b>QTE</b>	<b>TARIF</b>
1	S111.198RH	SUPPORT CHASSE DEBRIS RH	1	
2	S111.201RH	BRAS CHASSE DEBRIS RH	1	
3	S111.187RH	SUPPORT DE DISQUE RH	1	
4	S100.470	BOULON M12x100 ZN	2	
5	S100.285	RONDELLE PLATE Ø12	2	
6	S100.279	ECROU HEX FREIN M12 ZN	2	
7	S111.269	RONDELLE Ø20/28 x 1mm DIN 988	2	
8	S100.275	ECROU HEX FREIN M20 ZN	1	
9	S107.960	BOULON M16x50 ZN	4	
10	S100.276	ECROU HEX FREIN M16 ZN	5	
11	S100.349	POUMON	1	
12	S100.245	RESSORT DE TRACTION Ø45/6,5mm L0=180mm	1	
13	S100.328	RACCORD PNEUMATIQUE DROIT	1	
14	S111.821LH	STOP DE CHASSE DEBRIS GAUCHE	1	
15	S111.821RH	STOP DE CHASSE DEBRIS DROIT	1	
16	S111.902RH	STOP INF TW DROIT	1	
17	S111.903RH	STOP INF TW DROIT	1	
18	S108.890	BOULON M20x240 ZN	1	
19	S106.748RH	ASSEMBLAGE CHASSE DEBRIS Ø340mm RH	1	
20	S100.283	RONDELLE PLATE Ø16	1	
21	S100.273	BOULON M6x16 ZN	4	



<b>S112.201RH</b>	<b>REGLAGE ROUE LATERALE RH</b>	<b>FR</b>	<b>03/2019</b>
-------------------	---------------------------------	-----------	----------------

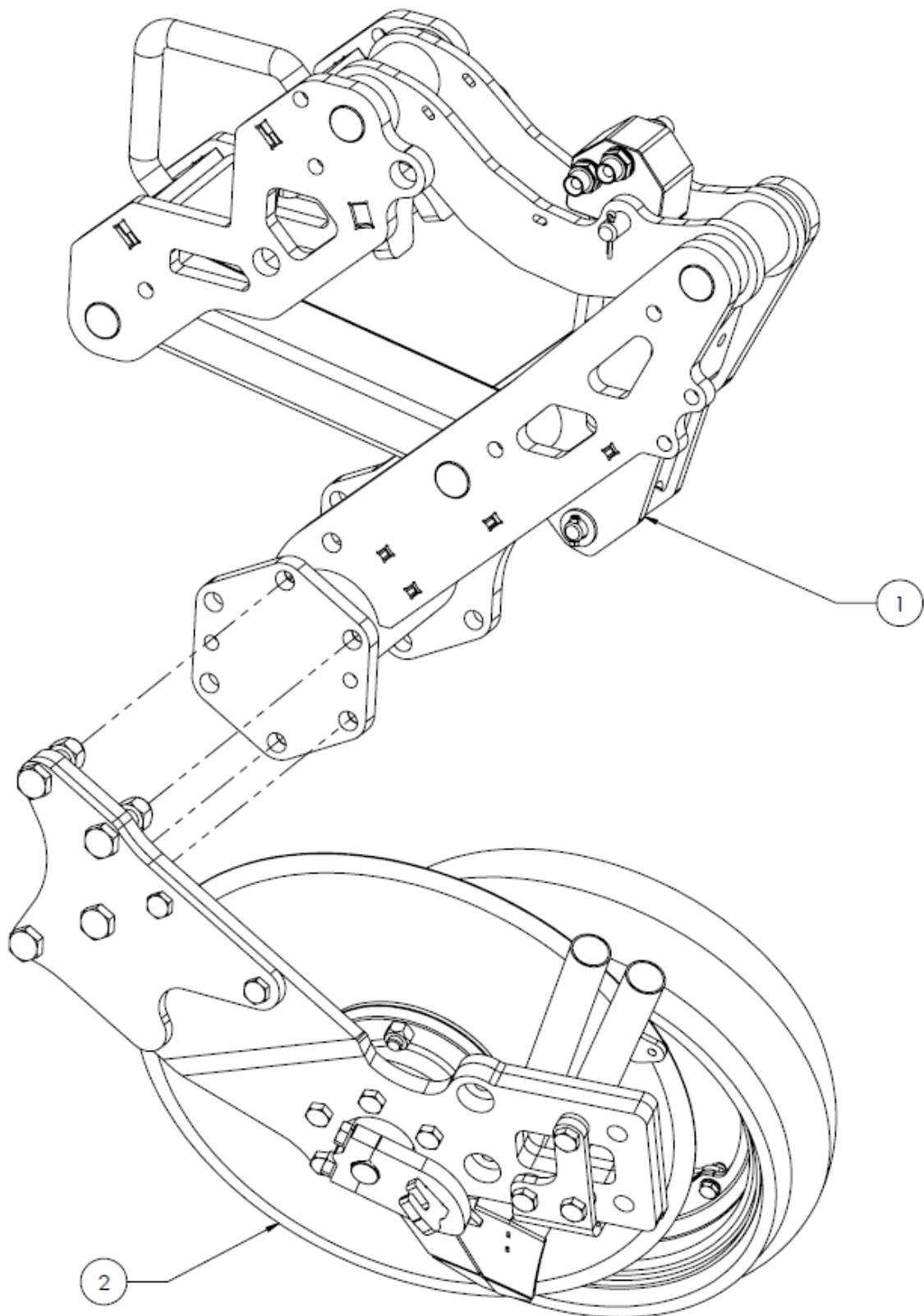
<b>No. ARTICLE</b>	<b>NUMERO DE PIECE</b>	<b>DESCRIPTION</b>	<b>QTE</b>	<b>TARIF</b>
1	S112.185RH	CORPS REGLAGE ROUE LATERAL RH	1	
2	S112.155RH	CAME RH	1	
3	S111.678	RESSORT Ø20mm ØFIL1.8mm L033mm	1	
4	S110.867	BOULE	1	
5	S114.247	AXE Ø16x110mn	1	
6	S114.248	PLAQUE	1	
7	S105.141	CIRCLIP EXT Ø16 A2	1	
8	S100.267	BOULON M12x35 ZN	2	
9	S100.279	ECROU HEX FREIN M12 ZN	2	
10	S114.254	PLAQUE DE REGLAGE	1	
11	S100.280	ECROU HEX FREIN M8 ZN	4	
12	S100.272	BOULON M8x25 ZN	4	
13	S106.812	BOULON M16x85 ZN	1	
14	S100.276	ECROU HEX FREIN M16 ZN	1	



<b>S111.263LH</b>	<b>ELEMENT BOSS LH</b>	<b>FR</b>	<b>03/2019</b>
-------------------	------------------------	-----------	----------------

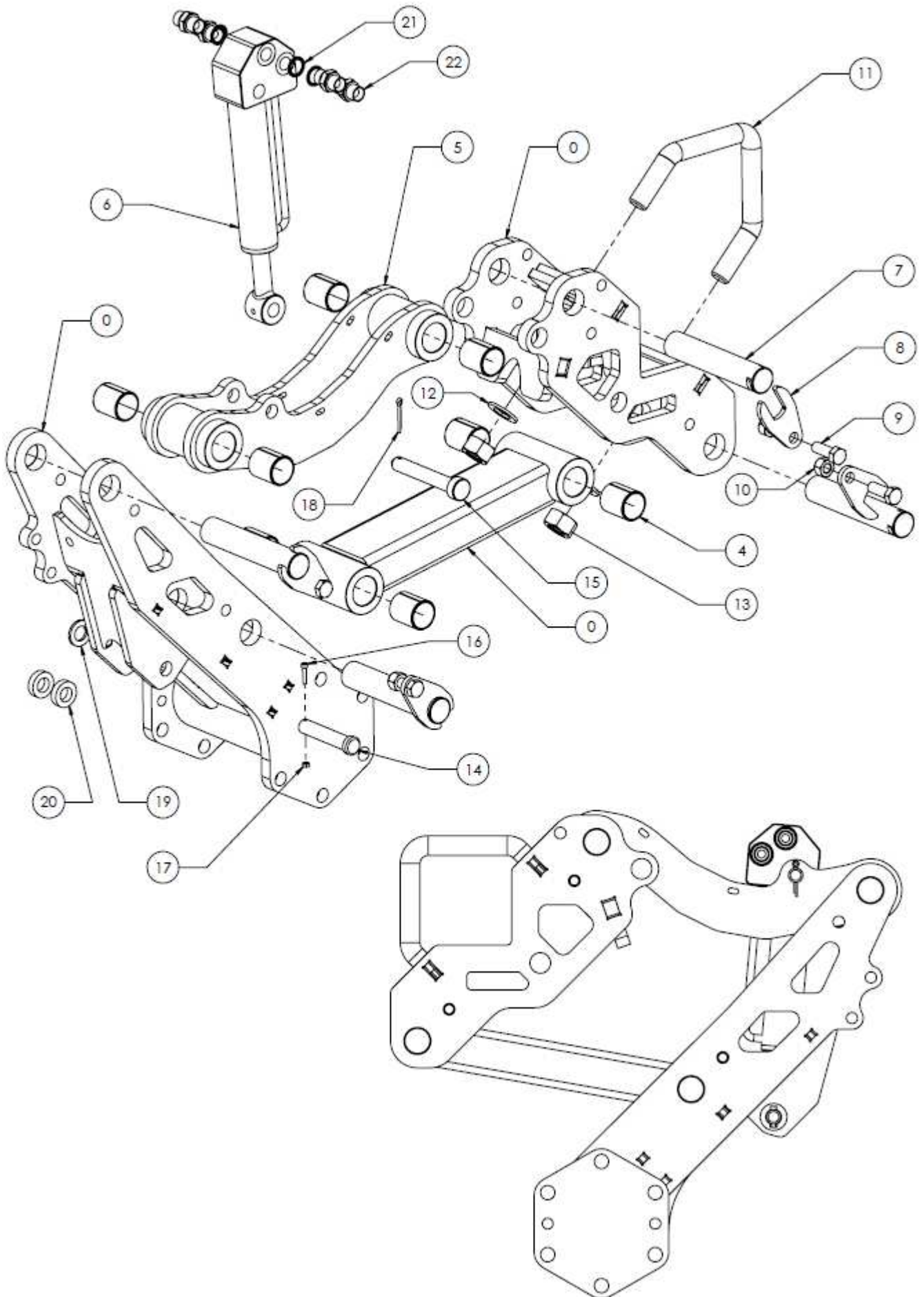
<b>No. ARTICLE</b>	<b>NUMERO DE PIECE</b>	<b>DESCRIPTION</b>	<b>QTE</b>	<b>TARIF</b>
1	S110.063LH	ELEMENT FRONT ASSEMBLAGE LH	1	
2	S111.207LH	CHASSE DEBRIS LH ASSEMBLAGE	1	
3	S111.444LH	DECOMPRESSEUR AVEC SUPPORT	1	
4	S114.119LH	ROUE DE RAPPUI LH	1	
5	S112.201LH	ASSEMBLAGE REGLAGE ROUE LATERALE LH	1	





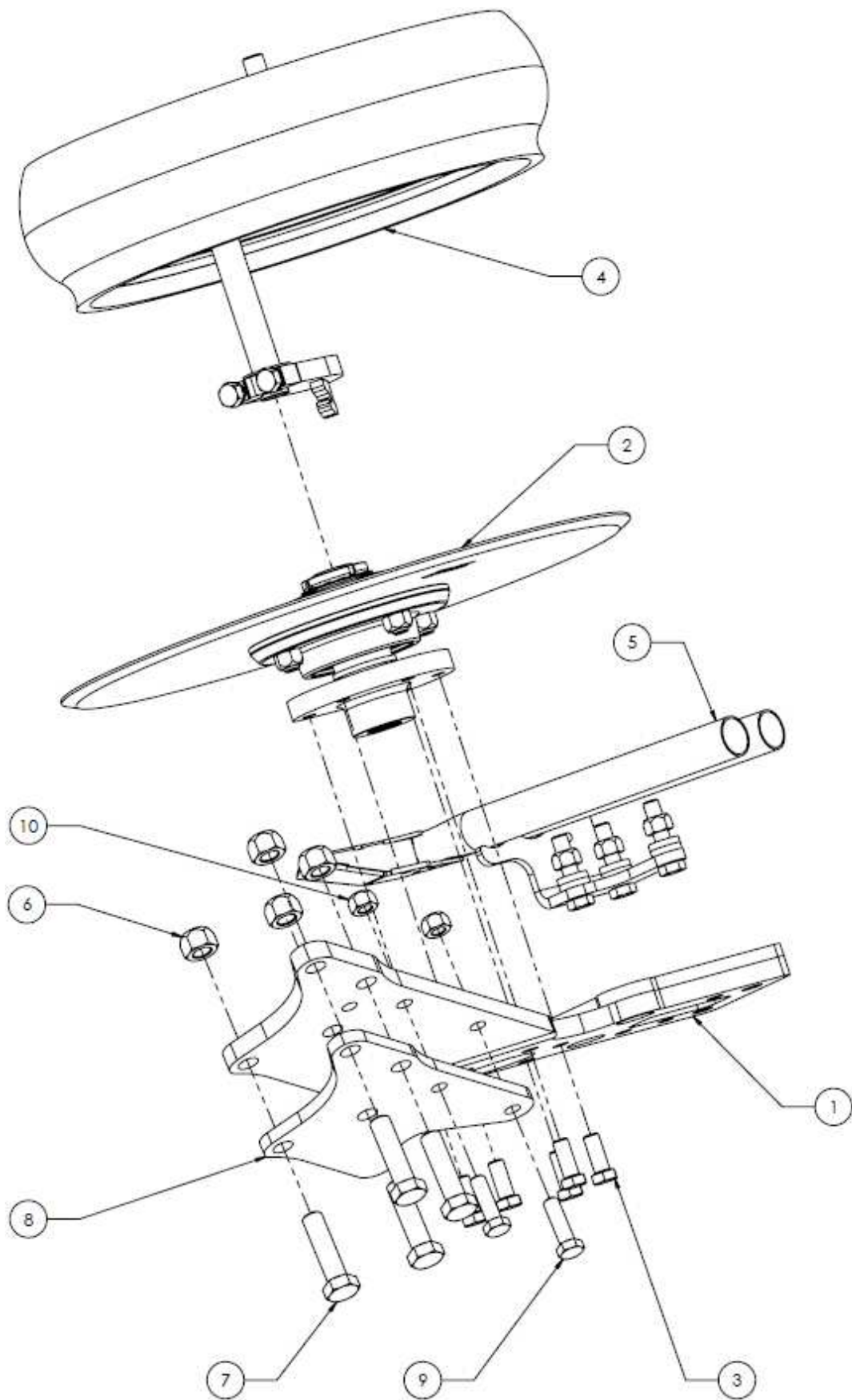
<b>S110.063LH</b>	<b>ELEMENT SEMEUR LH</b>	<b>FR</b>	<b>03/2019</b>
-------------------	--------------------------	-----------	----------------

<b>No. ARTICLE</b>	<b>NUMERO DE PIECE</b>	<b>DESCRIPTION</b>	<b>QTE</b>	<b>TARIF</b>
1	S112.328LH	ELEMENT FRONT ASSEMBLAGE LH	1	
2	S112.351LH	ELEMENT FRONT ASSEMBLAGE LH	1	



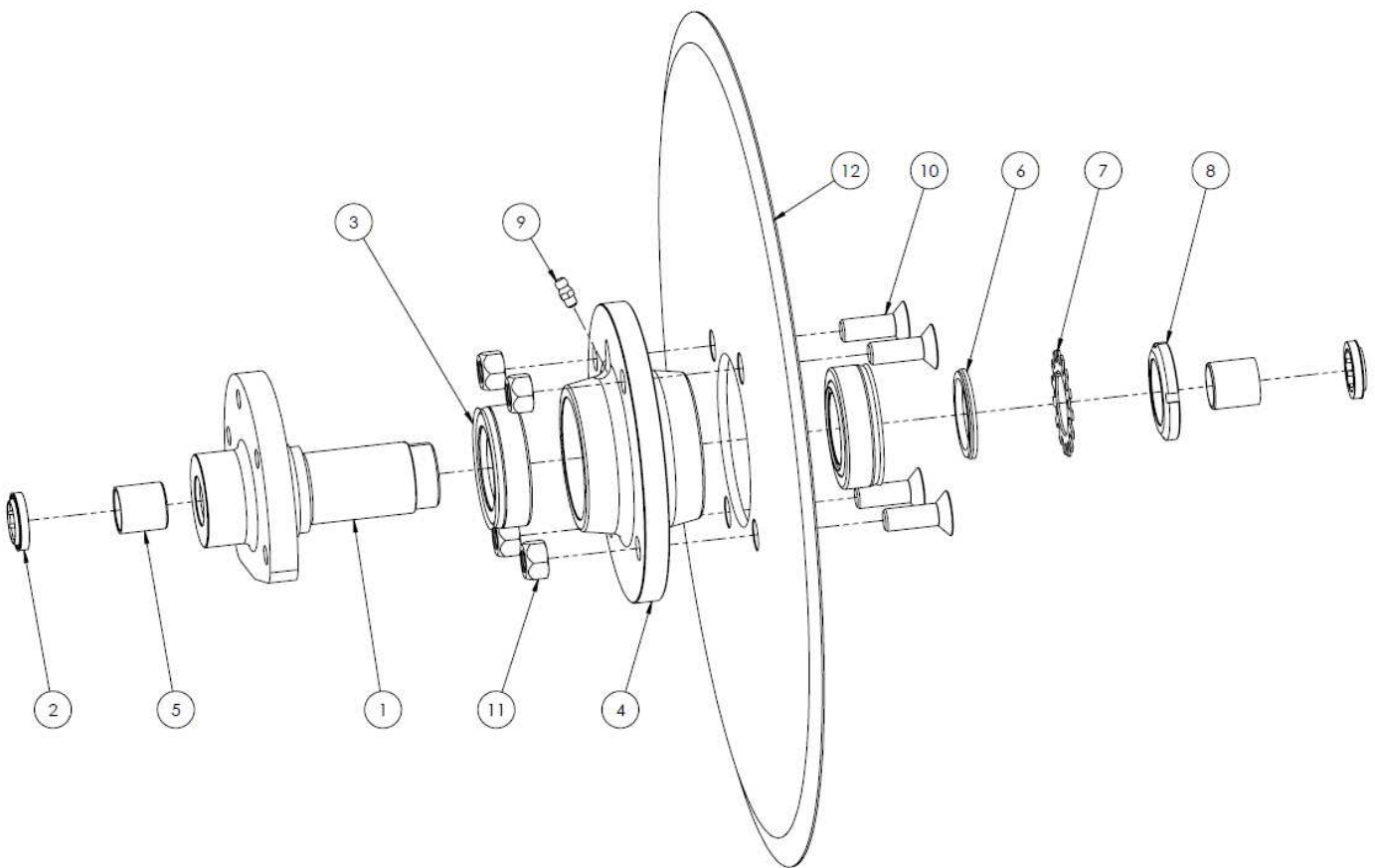
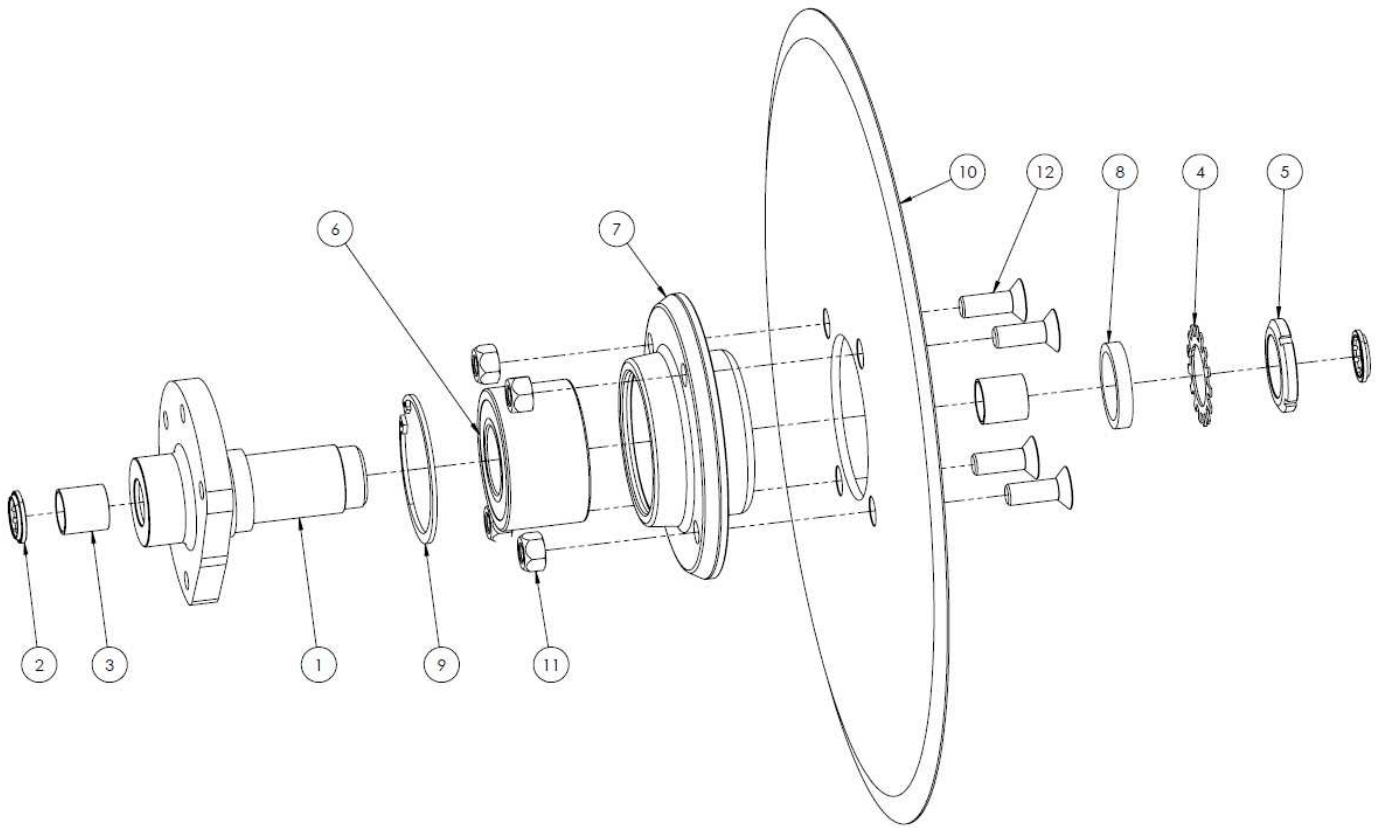
<b>S112.328LH</b>	<b>ELEMENT SEMEUR LH</b>	<b>FR</b>	<b>03/2019</b>
-------------------	--------------------------	-----------	----------------

<b>No. ARTICLE</b>	<b>NUMERO DE PIECE</b>	<b>DESCRIPTION</b>	<b>QTE</b>	<b>TARIF</b>
1	S110.059	TETE DE MONTAGE	1	
2	S110.311LH	CORPS D'ELEMENT LH	1	
3	S110.053	BRAS PARALLELOGRAM INFERIEUR ASSEMBLAGE	1	
4	S108.709	BAGUE ACIER 30/34x40mm	8	
5	S110.055	BRAS PARALLELOGRAM INFERIEUR	1	
6	S109.958	VERIN HYDRAULIQUE Ø32/20mm S=100mm	1	
7	S109.982	AXE Ø30x156mm	4	
8	S109.981	PLAQUE	4	
9	S100.267	BOULON M12x35 ZN	4	
10	S100.279	ECROU HEX FREIN M12 ZN	4	
11	S109.785	BRIDE 100x100 M22 45°	1	
12	S100.281	RONDELLE PLATE Ø22	2	
13	S100.516	ECROU HEX NORMAL M22 ZN	2	
14	S110.432	AXE Ø16x78mm ZN	1	
15	S110.666	AXE Ø16x97mm	1	
16	S112.401	BOULON CHC M4x20 ZN	1	
17	S100.342	ECROU HEX FREIN M4 ZN	1	
18	S110.819	GOUPILLE FENDUE Ø4x28mm ZN	1	
19	S100.283	RONDELLE PLATE Ø16	1	
20	S111.602	RONDELLE Ø17/30x8mm	2	
21	S100.429	JOINT HYDRAULIQUE Ø17mm	4	
22	S101.952	ADAPTATEUR MALE - MALE 3/8BSP - 3/8BSP	4	



<b>S112.351LH</b>	<b>ELEMENT SEMEUR LH</b>	<b>FR</b>	<b>03/2019</b>
-------------------	--------------------------	-----------	----------------

<b>No. ARTICLE</b>	<b>NUMERO DE PIECE</b>	<b>DESCRIPTION</b>	<b>QTE</b>	<b>TARIF</b>
1	S110.907LH	SUPPORT DE DISQUE LH	1	
2	S107.439	ENSEMBLE DISQUE MOYEU	1	
3	S100.496	BOULON M12x30 ZN	5	
4	S111.224LH	ASSEMBLAGE ROUE LATERAL AVEC AXE LH	1	
5	S113.272LH	SOC COMPLET LH	1	
6	S100.276	ECROU HEX FREIN M16 ZN	4	
7	S100.477	BOULON M16x60 ZN	4	
8	S111.827	PLAQUE	1	
9	S100.465	BOULON M12x40 ZN	2	
10	S100.279	ECROU HEX FREIN M12 ZN	2	

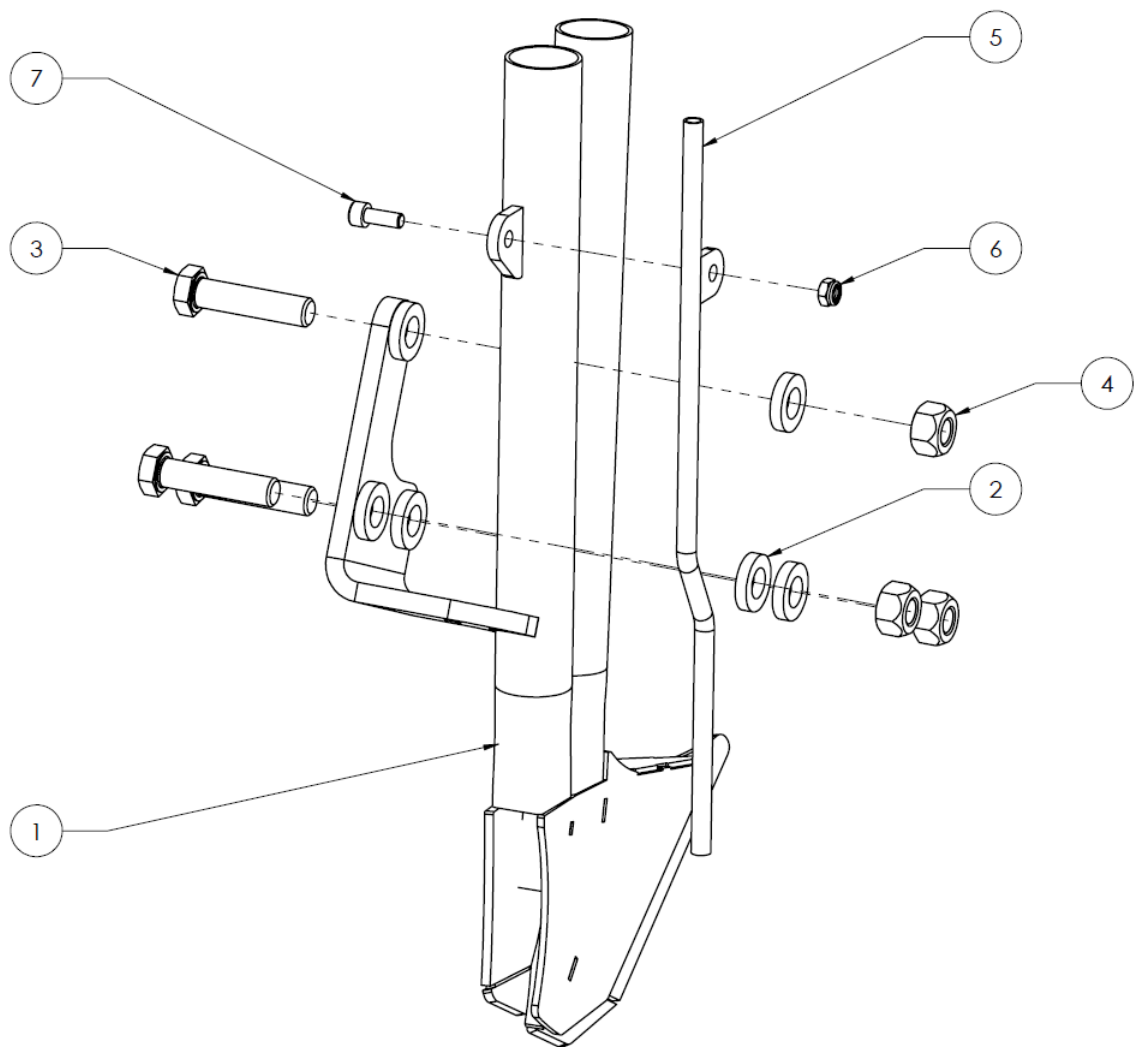


<b>S107.439 / S114.382</b>	<b>ENSEMBLE MOYEU + DISQUE</b>	<b>FR</b>	<b>03/2019</b>
----------------------------	--------------------------------	-----------	----------------

<b>No. ARTICLE</b>	<b>NUMERO DE PIECE</b>	<b>DESCRIPTION</b>	<b>QTE</b>	<b>TARIF</b>
1	S112.217	AXE MOYEU	1	
2	S112.352	JOINIT RACLEUR 7/8"	2	
3	S112.353	BAGUE ACIER 22.23/25.4x25.4mm	2	
4	S112.219	PLAQUE DE SECURITE MB7 Ø35	1	
5	S103.470	ECROU A ENCOCHES M35x1.5	1	
6	S112.209	ROULEMENT Ø38.1/80x47	1	
7	S112.211	MOYEU DISQUE	1	
8	S112.213	ENTRETOISE Ø38.5/48-8	1	
9	S112.112	CIRCLIP INT Ø80 ZN	1	
10	S113.954	DISQUE 18' DROIT 7mm	1	
11	S100.279	ECROU HEX FREIN M12 ZN	4	
12	S107.440	VIS FHC M12x35 10.9 ZN	4	

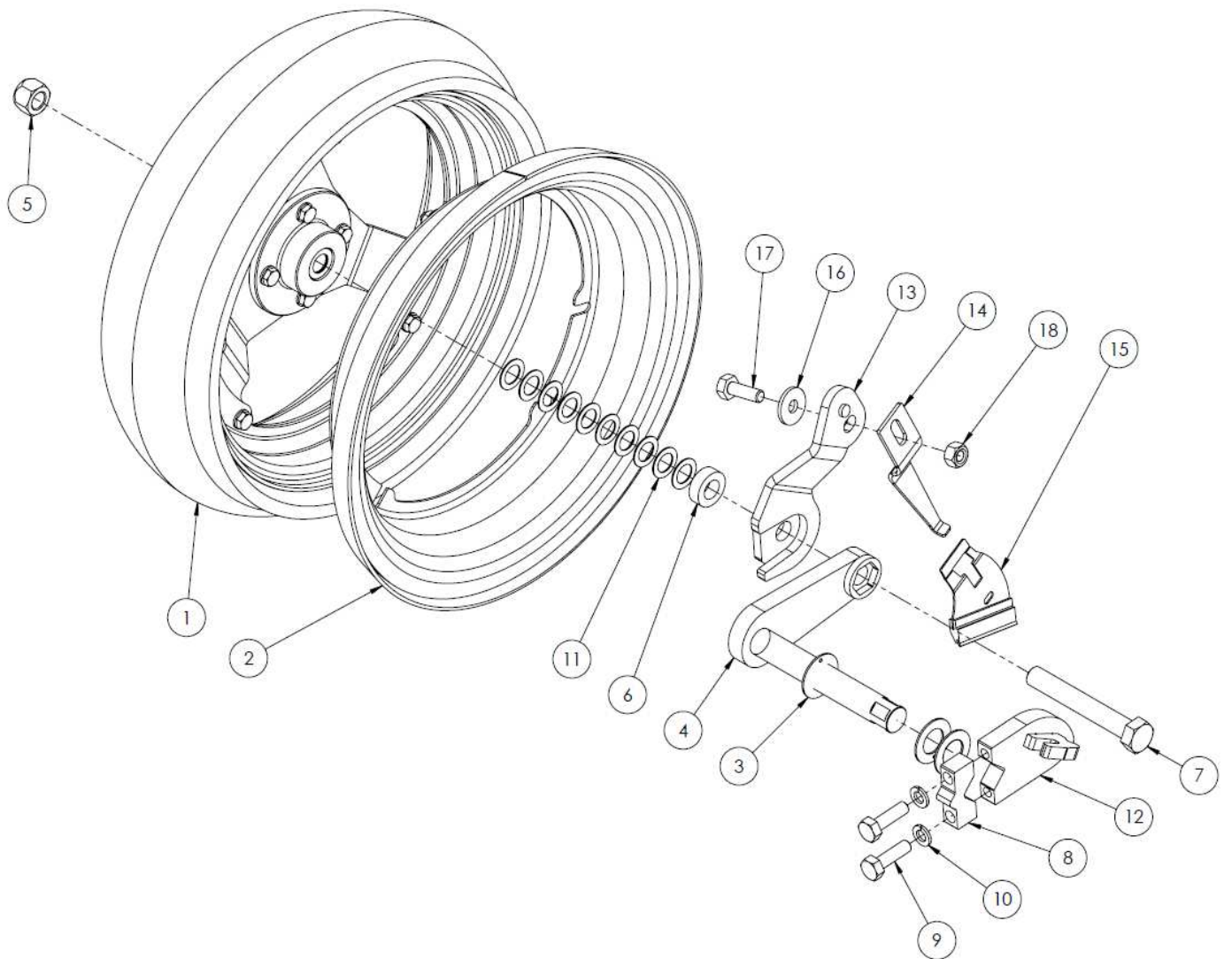
<b>No. ARTICLE</b>	<b>NUMERO DE PIECE</b>	<b>DESCRIPTION</b>	<b>QTE</b>	<b>TARIF</b>
1	S103.468	AXE	1	
2	S103.469	JOINT 22X30.6X5.3	2	
3	S103.314	ROULEMENT LM29700	2	
4	S103.472	MOYEURS DE DISQUE	1	
5	S103.473	BAGUE PLASTIQUE 22/25x25mm	2	
6	S103.471	DISC WASHER	1	
7		LOCKWASHER M35	1	
8	S103.470	ECROU A ENCOCHES M35x1.5	1	
9	S103.577	GRAISSEUR M6 DROIT	1	
10	S107.440	VIS FHC M12x35 10.9 ZN	4	
11	S100.279	ECROU HEX FREIN M12 ZN	4	
12	S113.954	DISQUE 18' DROIT	1	





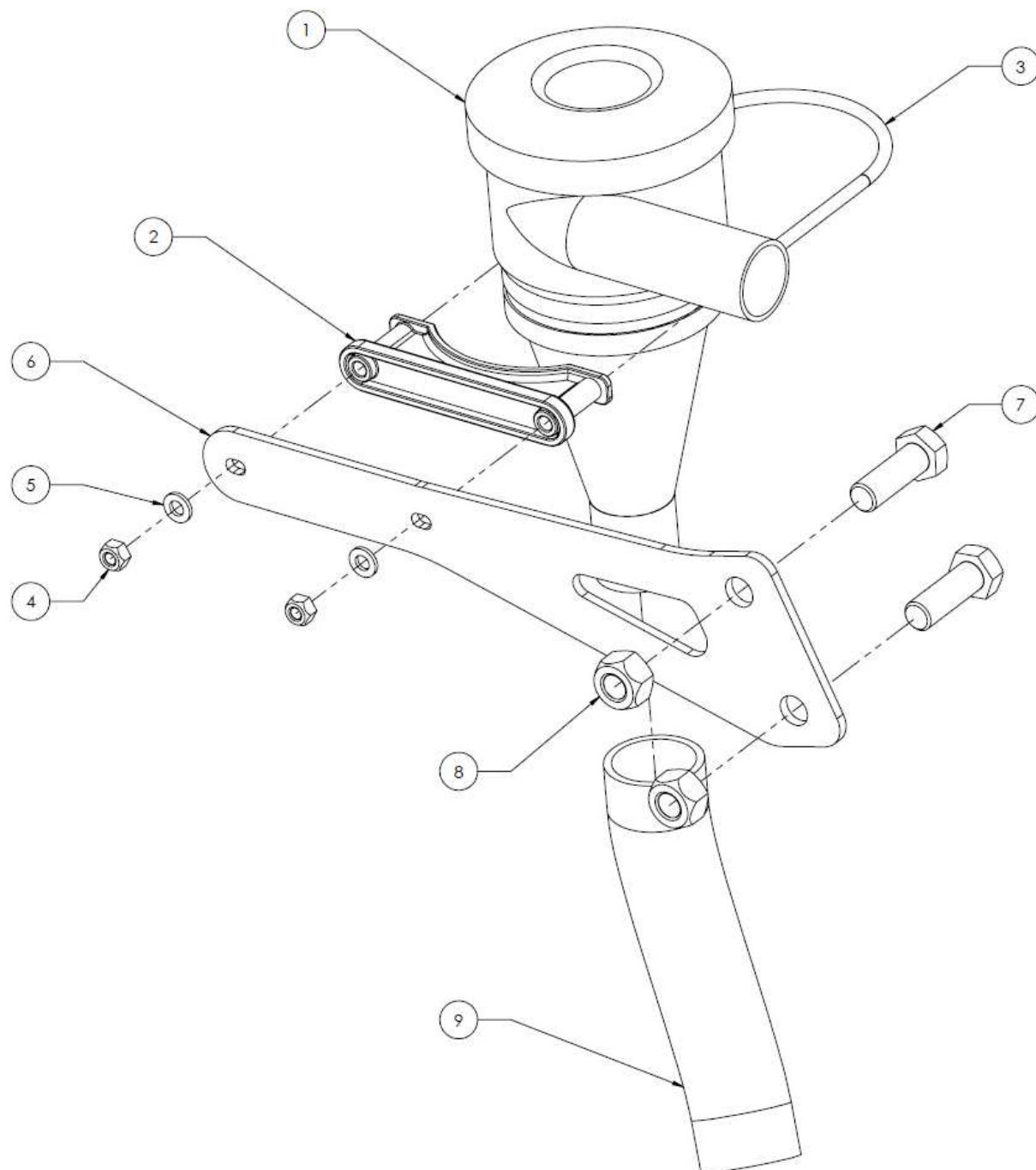
<b>S113.272LH</b>	<b>SOC LH</b>	<b>FR</b>	<b>03/2019</b>
-------------------	---------------	-----------	----------------

<b>No. ARTICLE</b>	<b>NUMERO DE PIECE</b>	<b>DESCRIPTION</b>	<b>QTE</b>	<b>TARIF</b>
1	S113.196LH	SOC LH	1	
2	S100.365	RONDELLE SOUPLE Ø14	6	
3	S100.467	BOULON M12x50 ZN	3	
4	S100.279	ECROU HEX FREIN M12 ZN	3	
5	S113.779	TUBE ENGRAIS LIQUIDE	1	
6	S109.030	ECROU HEX FREIN M6 A2	1	
7	S109.002	BOULON CHC M6x16 A2	1	



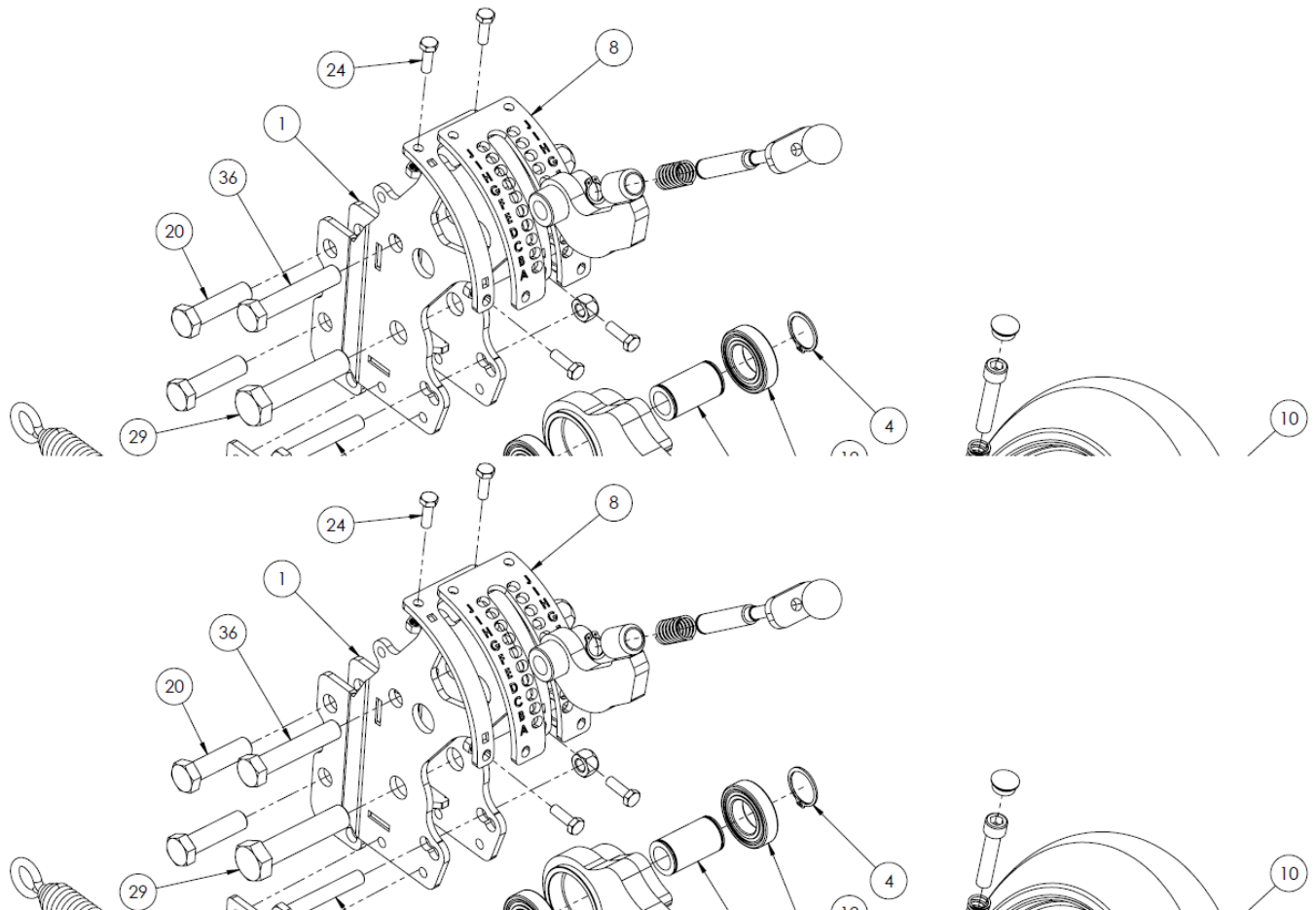
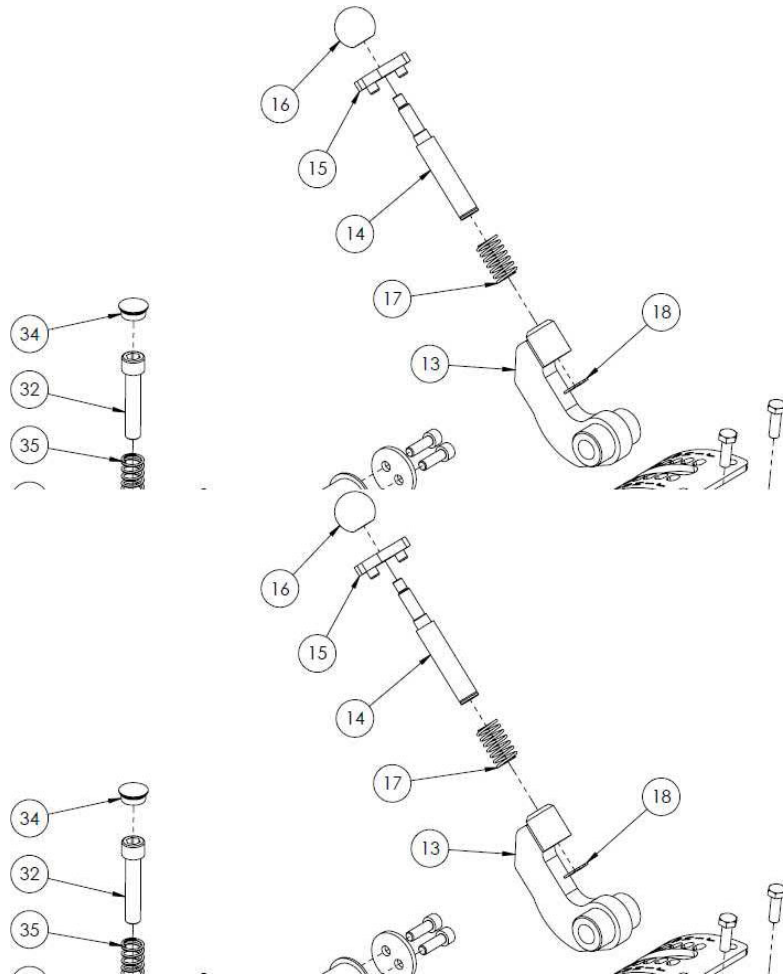
<b>S111.224LH</b>	<b>ROUE LATERALE LH</b>	<b>FR</b>	<b>03/2019</b>
-------------------	-------------------------	-----------	----------------

<b>No. ARTICLE</b>	<b>NUMERO DE PIECE</b>	<b>DESCRIPTION</b>	<b>QTE</b>	<b>TARIF</b>
1	S110.659	ROUE Ø400x120mm	1	
2	S110.626	SCRAPER WHEEL ASSEMBLY	1	
3	S112.511	RONDELLE Z 22/38/1.5	3	
4	S103.478	BRAS ROUE LATERAL	1	
5	S100.276	ECROU HEX FREIN M16 ZN	1	
6	S107.467	ENTRETOISE LASER Ø16.5-30-10	1	
7	S100.401	BOULON M16x110 ZN	1	
8	S103.481	CLAMP CW LEAVER	1	
9	S111.239	BOULON M10x35 10.9 ZN	2	
10	S100.529	RONDELLE GROWER Ø10	2	
11	S111.305	RONDELLE Ø16.5/26 x 4mm	11	
12	S110.859LH	LEVRIER LH	1	
13	S103.456 LH	BLADE SCRAPER INT MOUNT LH	1	
14	S103.625	MUD SCRAPER ARM	1	
15	S103.621 RH	SCRAPER RH	1	
16	S103.626	RONDELLE 30 x 10.5 x 3mm	1	
17	S100.270	BOULON M10x30 ZN	1	
18	S100.345	ECROU HEX FREIN M10 ZN	1	



111.444LH	CYCLONE LH	FR	03/2019
-----------	------------	----	---------

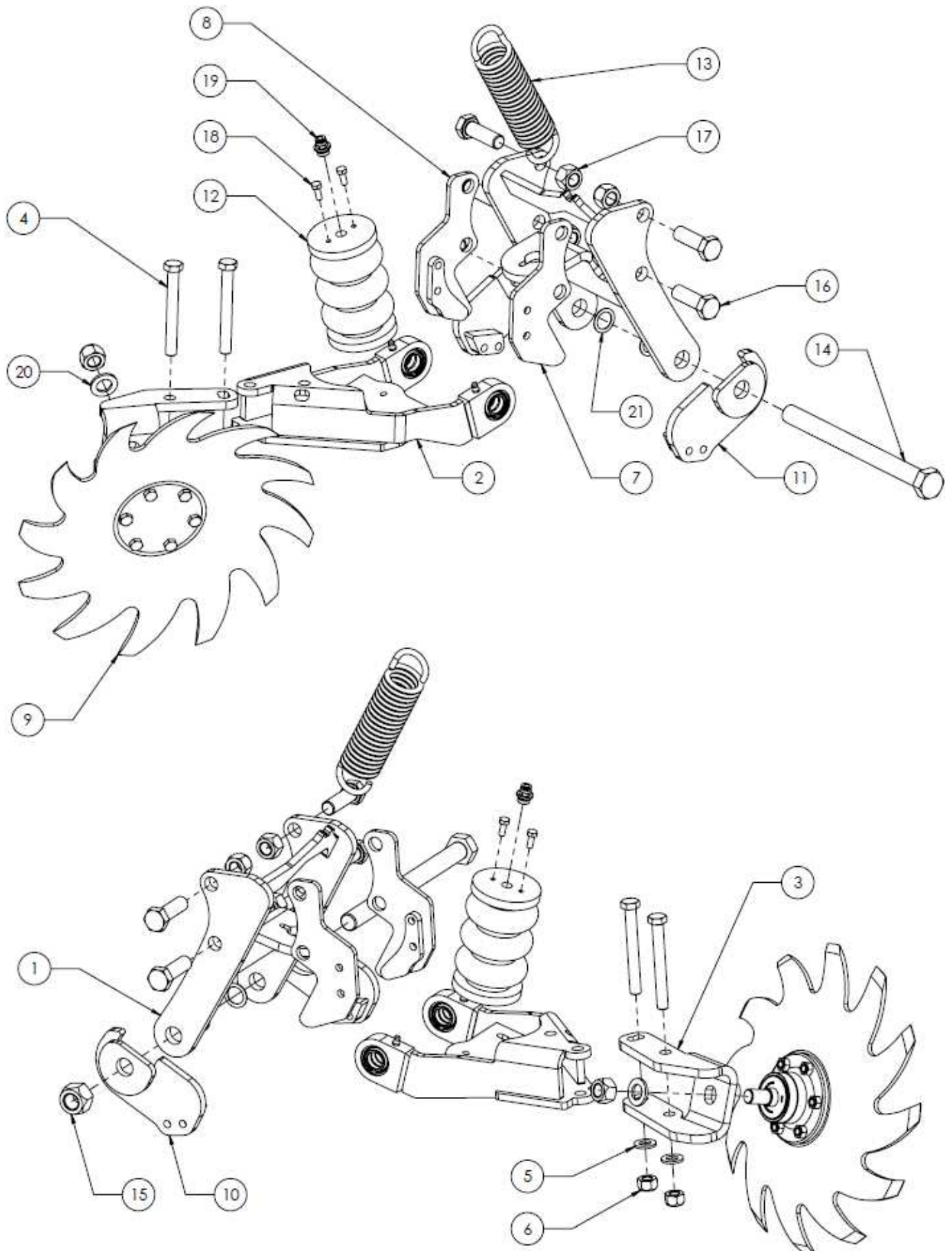
No. ARTICLE	NUMERO DE PIECE	DESCRIPTION	QTE	TARIF
1	S105.068	CYCLONE D-CUP SIMPLE	1	
2	S105.069	SUPPORT CYCLONE	1	
3	S114.107	BRIDE TUBE Ø80 M6	1	
4	S107.400	ECROU HEX FREIN M6 ZN	2	
5	S100.527	RONDELLE PLATE Ø6	2	
6	S110.920	SUPPORT CYCLONE	1	
7	S100.267	BOULON M12x35 ZN	2	
8	S100.279	ECROU HEX FREIN M12 ZN	2	
9	S112.202	TUYAU PU Ø32x3 L150	1	



<b>S114.119LH</b>	<b>ROUE DE RAPPUI LH</b>	<b>FR</b>	<b>03/2019</b>
-------------------	--------------------------	-----------	----------------

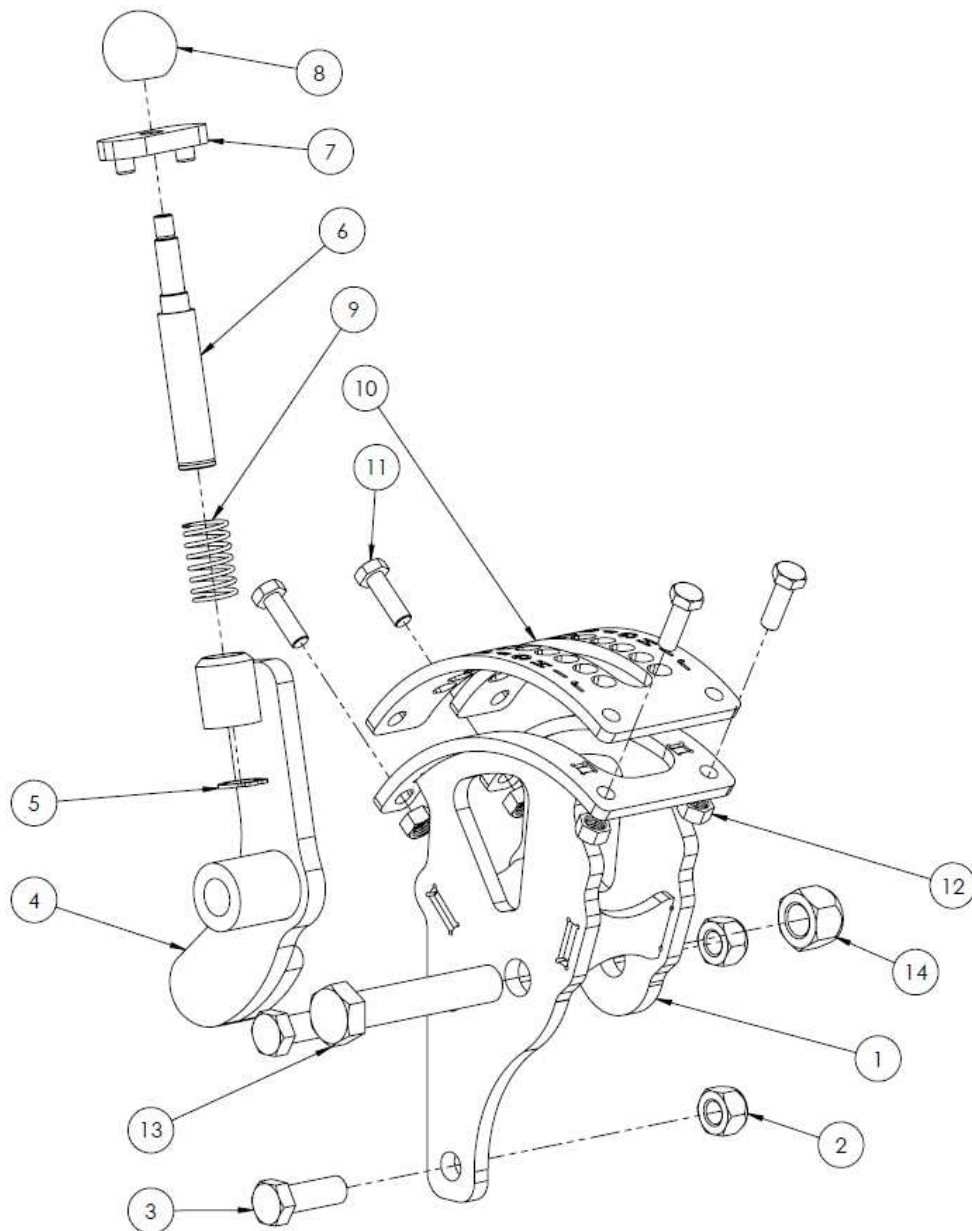
<b>No. ARTICLE</b>	<b>NUMERO DE PIECE</b>	<b>DESCRIPTION</b>	<b>QTE</b>	<b>TARIF</b>
1	S114.110	CORP DE RAPPUI	1	
2	S114.112LH	BRAS ARRIERE LH	1	
3	S100.167	ROULEMENT 6006 2RS	2	
4	S100.246	CIRCLIP EXT Ø30	2	
5	S102.952	BAGUE ACIER AVEC COLLERETTE 30/34x26mm	2	
6	S114.115	BAGUE Ø30/20,5-54	1	
7	S103.577	GRAISSEUR M6 DROIT	1	
8	S114.254	PLAQUE DE REGLAGE	1	
9	S112.699LH	SUPPORT RESSORT LH	1	
10	S112.703	ASSEMBLAGE ROUE ARRIERE	1	
11	S107.467	ENTRETOISE LASER Ø16.5-30-10	1	
12	S114.276	AXE	1	
13	S114.406	SUPPORT CAME	1	
14	S114.247	AXE Ø16x110mn	1	
15	S114.248	PLAQUE	1	
16	S110.867	BOULE	1	
17	S111.678	RESSORT Ø20mm ØFIL1.8mm L0=33mm	1	
18	S105.141	CIRCLIP EXT Ø16 A2	1	
19	S100.276	ECROU HEX FREIN M16 ZN	3	
20	S100.477	BOULON M16x60 ZN	2	
21	S100.279	ECROU HEX FREIN M12 ZN	1	
22	S111.648	BOULON M12x80 ZN	1	
23	S110.898	RESSORT DE TRACTION Ø30x5x268mm	1	
24	S100.272	BOULON M8x25 ZN	6	
25	S100.280	ECROU HEX FREIN M8 ZN	6	
26	S100.263	BOULON M16x70 ZN	1	
27	S100.283	RONDELLE PLATE Ø16	1	
28	S100.275	ECROU HEX FREIN M20 ZN	1	
29	S100.255	BOULON M20x90 ZN	1	
30	S111.853	PLAQUE	1	
31	S107.091	BOULON CHC M8x25 ZN	2	
32	S114.427	BOULON CHC M12x60 10.9 ZN	1	
33	S114.435	MANETTE	1	
34	S114.436	BOUCHON NYLON Ø19mm NOIR	1	
35	S114.437	RESSORT DE COMPRESSION	1	
36	S106.812	BOULON M16x85 ZN	1	





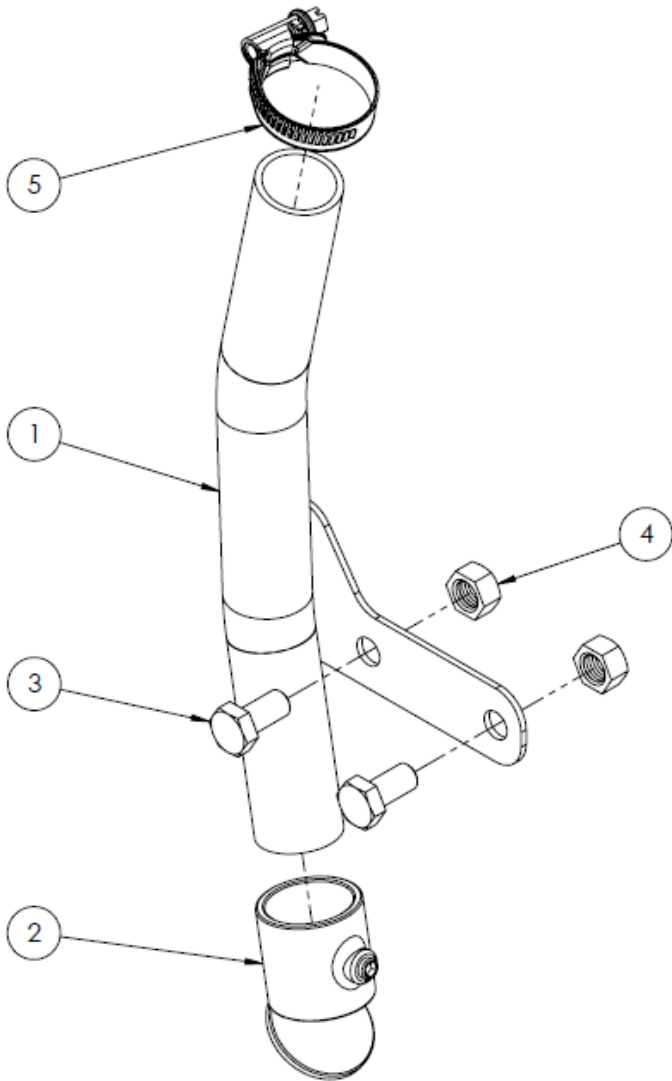
<b>S111.207LH</b>	<b>CHASSE DEBRIS LH</b>	<b>FR</b>	<b>03/2019</b>
-------------------	-------------------------	-----------	----------------

<b>No. ARTICLE</b>	<b>NUMERO DE PIECE</b>	<b>DESCRIPTION</b>	<b>QTE</b>	<b>TARIF</b>
1	S111.198LH	SUPPORT CHASSE DEBRIS LH	1	
2	S111.201LH	BRAS CHASSE DEBRIS RH	1	
3	S111.187LH	SUPPORT DE DISQUE LH	1	
4	S100.470	BOULON M12x100 ZN	2	
5	S100.285	RONDELLE PLATE Ø12	2	
6	S100.279	ECROU HEX FREIN M12 ZN	2	
7	S111.821LH	STOP DE CHASSE DEBRIS GAUCHE	1	
8	S111.821RH	STOP DE CHASSE DEBRIS DROIT	1	
9	S106.748LH	ASSEMBLAGE CHASSE DEBRIS Ø340mm LH	1	
10	S111.902RH	STOP INF TW DROIT	1	
11	S111.902LH	STOP INF TW GAUCHE	1	
12	S100.349	POUMON	1	
13	S100.245	RESSORT DE TRACTION Ø45/6,5mm L0=180mm	1	
14	S108.890	BOULON M20x240 ZN	1	
15	S100.275	ECROU HEX FREIN M20 ZN	1	
16	S107.960	BOULON M16x50 ZN	4	
17	S100.276	ECROU HEX FREIN M16 ZN	5	
18	S100.273	BOULON M6x16 ZN	2	
19	S100.328	RACCORD PNEUMATIQUE DROIT	1	
20	S100.283	RONDELLE PLATE Ø16	1	
21	S111.269	RONDELLE Ø20/28 x 1mm DIN 988	2	

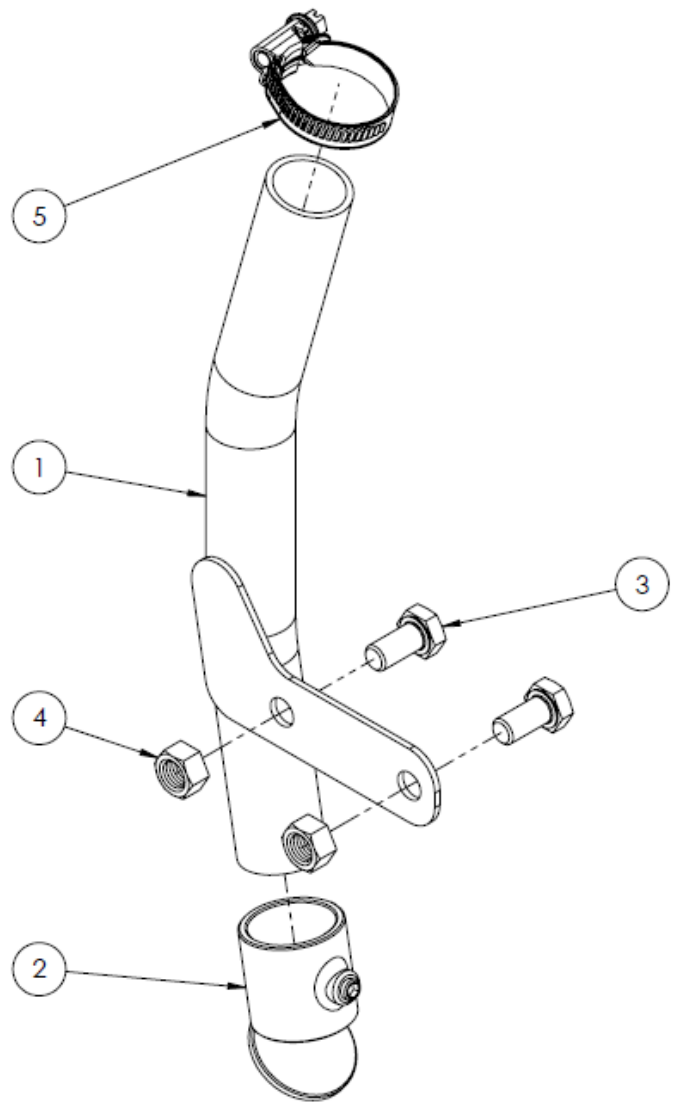


<b>S112.201LH</b>	<b>REGLAGE ROUE LATERALE LH</b>	<b>FR</b>	<b>03/2019</b>
-------------------	---------------------------------	-----------	----------------

<b>No. ARTICLE</b>	<b>NUMERO DE PIECE</b>	<b>DESCRIPTION</b>	<b>QTE</b>	<b>TARIF</b>
1	S112.185LH	CORPS REGLAGE ROUE LATERAL LH	1	
2	S100.279	ECROU HEX FREIN M12 ZN	2	
3	S100.267	BOULON M12x35 ZN	2	
4	S112.155LH	CAME LH	1	
5	S105.141	CIRCLIP EXT Ø16 A2	1	
6	S114.247	AXE Ø16x110mn	1	
7	S114.248	PLAQUE	1	
8	S110.867	BOULE	1	
9	S111.678	RESSORT Ø20mm ØFIL1.8mm L033mm	1	
10	S114.254	PLAQUE DE REGLAGE	1	
11	S100.272	BOULON M8x25 ZN	4	
12	S100.280	ECROU HEX FREIN M8 ZN	4	
13	S106.812	BOULON M16x85 ZN	1	
14	S100.276	ECROU HEX FREIN M16 ZN	1	



RH



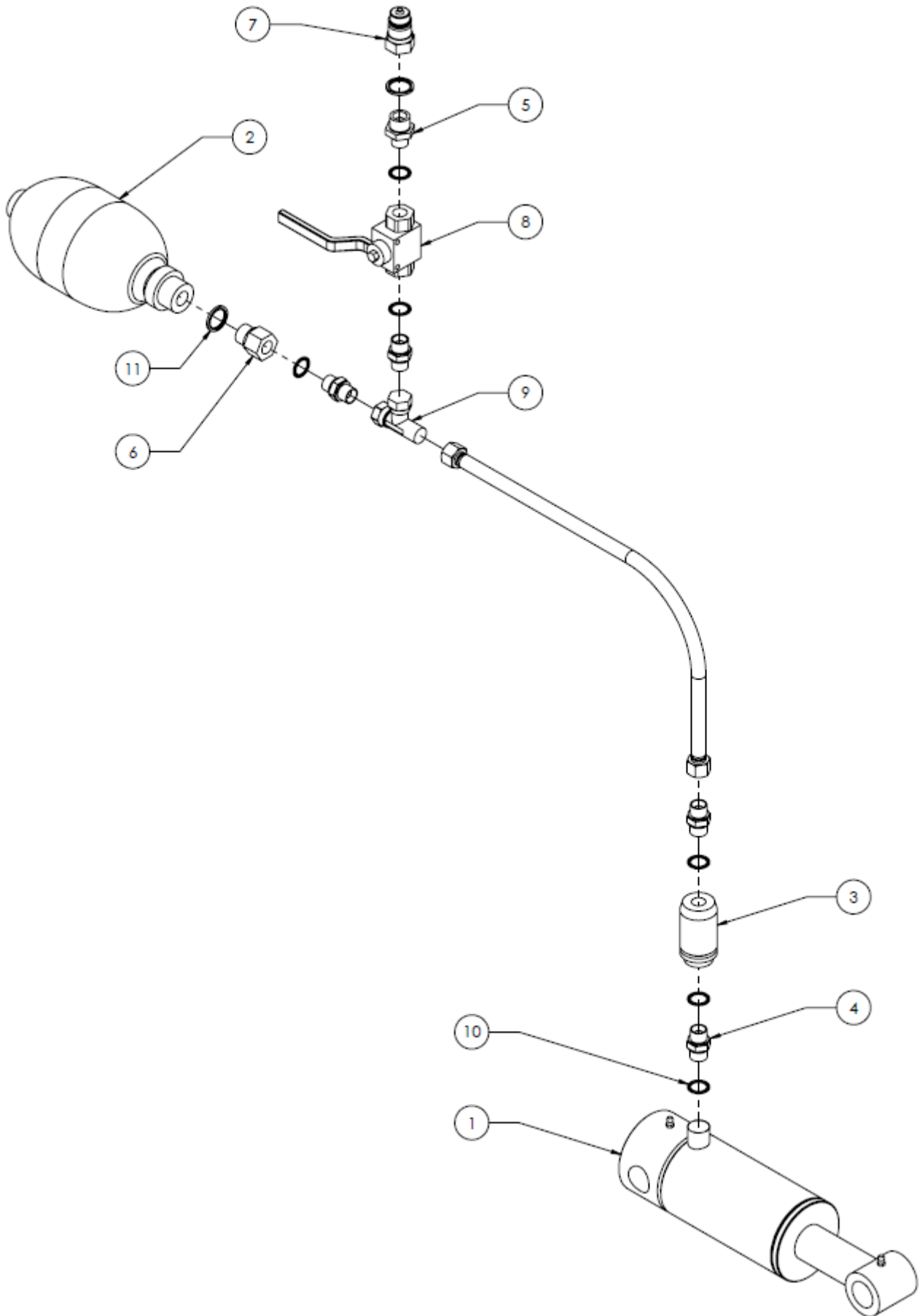
LH

<b>S113.725RH/LH</b>	<b>ECLATEUR PETITES GRAINES</b>	<b>FR</b>	<b>03/2019</b>
----------------------	---------------------------------	-----------	----------------

<b>No. ARTICLE</b>	<b>NUMERO DE PIECE</b>	<b>DESCRIPTION</b>	<b>QTE</b>	<b>TARIF</b>
1	S113.722RH	ECLATEUR RH	1	
2	S113.715	DIFFUSEUR DXP	1	
3	S100.490	BOULON M8x16 ZN	2	
4	S100.280	ECROU HEX FREIN M8 ZN	2	
5	S113.728	COLLIER DE SERRAGE D16-27mm	1	

<b>No. ARTICLE</b>	<b>NUMERO DE PIECE</b>	<b>DESCRIPTION</b>	<b>QTE</b>	<b>TARIF</b>
1	S113.722RH	ECLATEUR RH	1	
2	S113.715	DIFFUSEUR DXP	1	
3	S100.490	BOULON M8x16 ZN	2	
4	S100.280	ECROU HEX FREIN M8 ZN	2	
5	S113.728	COLLIER DE SERRAGE D16-27mm	1	

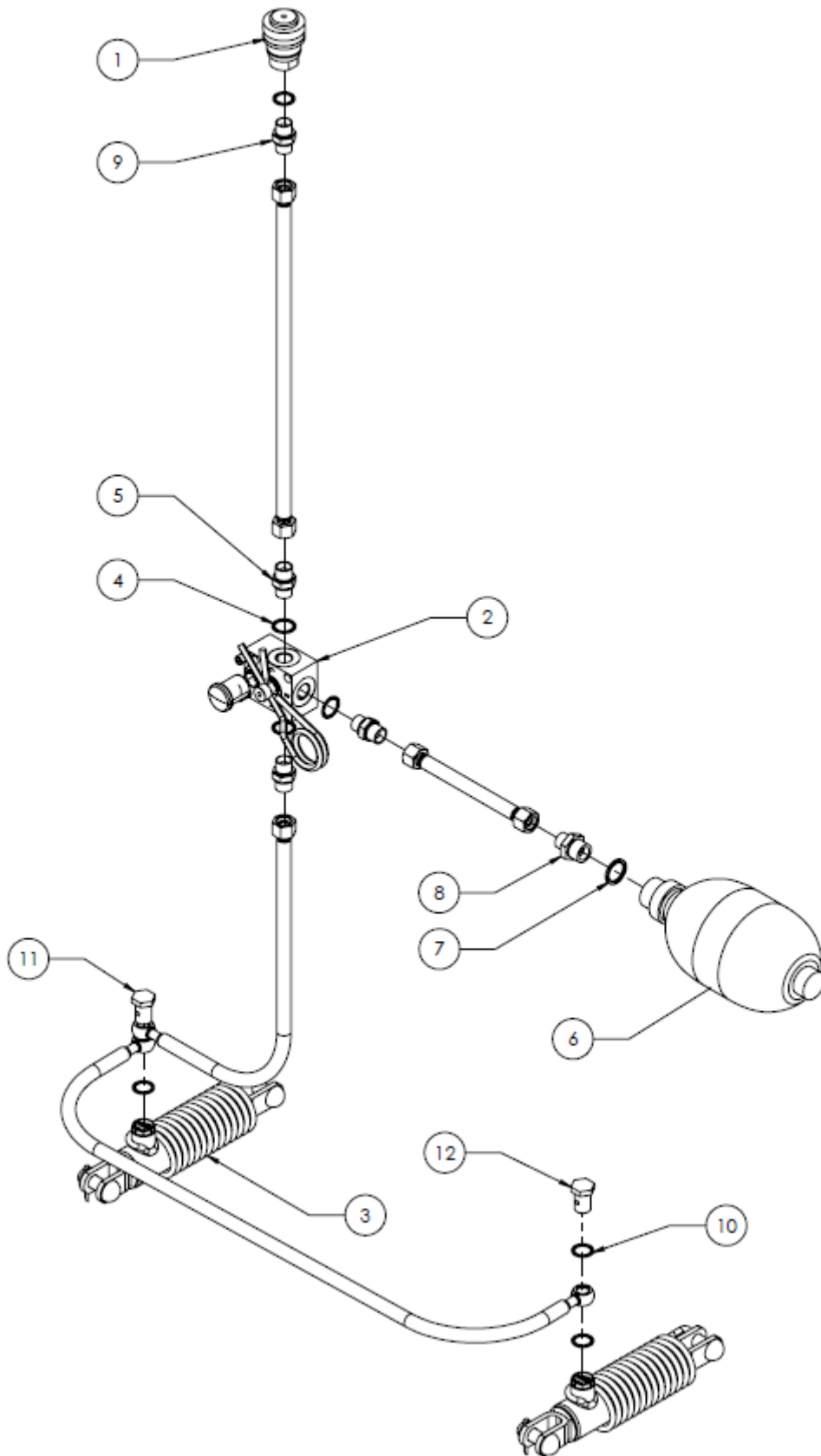
# **SCHEMAS HYDRAULIQUES**





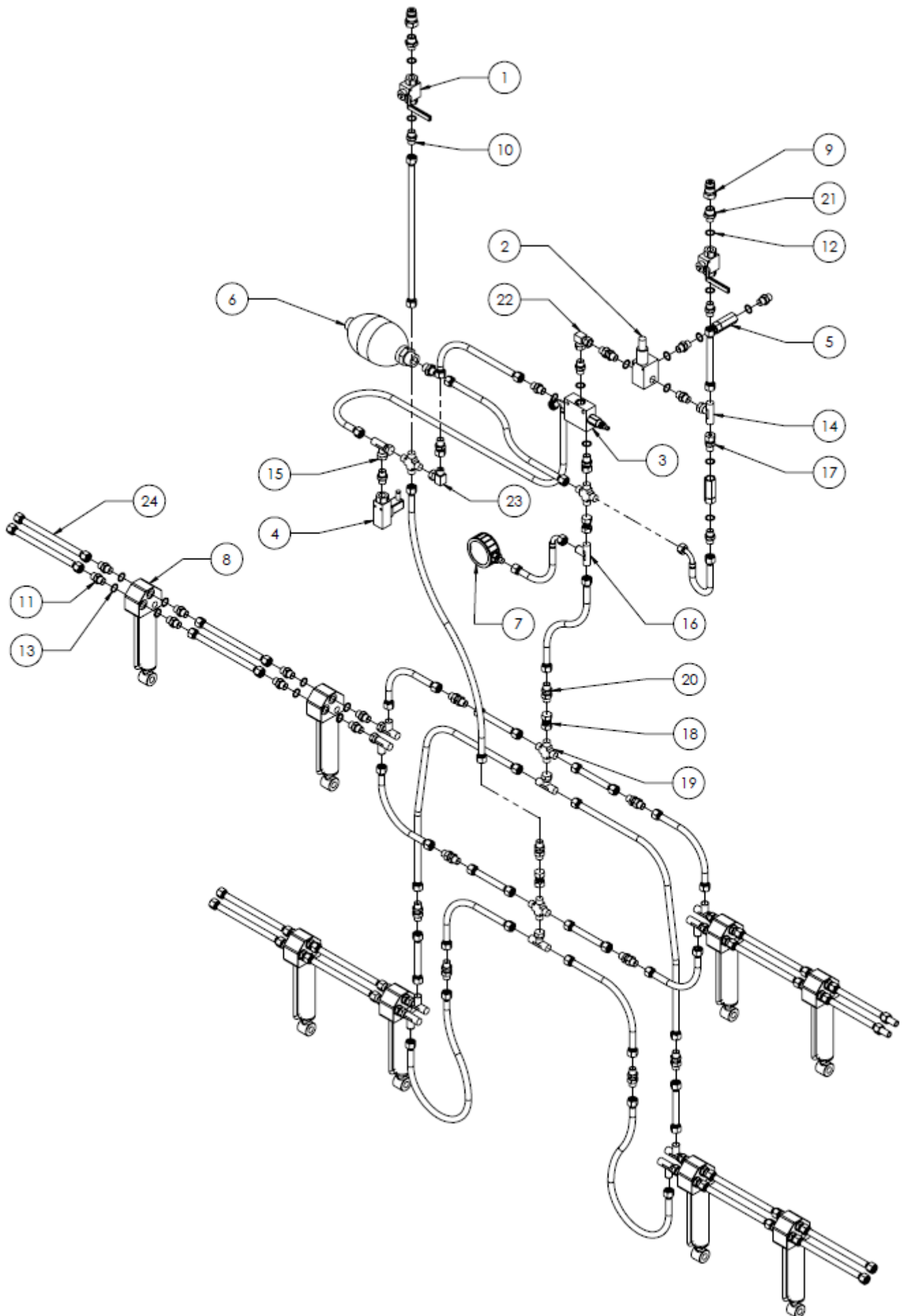
SUSPENSION TIMON	SCHEMA HYDRAULIQUE	FR	03/2019
------------------	--------------------	----	---------

No. ARTICLE	NUMERO DE PIECE	DESCRIPTION	QTE	TARIF
1	S109.823	VERIN	1	
2	S110.989	ACCUMULATEUR 0.7l 60b	1	
3	S110.487	LIMITEUR DE DEBIT REGLABLE	1	
4	S101.951	ADAPTATEUR MALE - MALE 3/8BSP	3	
5	S112.437	RACCORD DROIT ♂1/2" ♂3/8" BSP	1	
6	S102.324	RACCORD DROIT ♂1/2" ♀3/8"	1	
7	S102.321	PUSH PULL ♂entrée ♀1/2" BSP	1	
8	S101.971	VALVE 3/8 BSP	1	
9	S103.095	T ♂♀♂ 3/8" BSP	1	
10	S100.429	JOINT HYDRAULIQUE 3/8"	5	
11	S102.322	JOINT HYDRAULIQUE 1/2"	2	



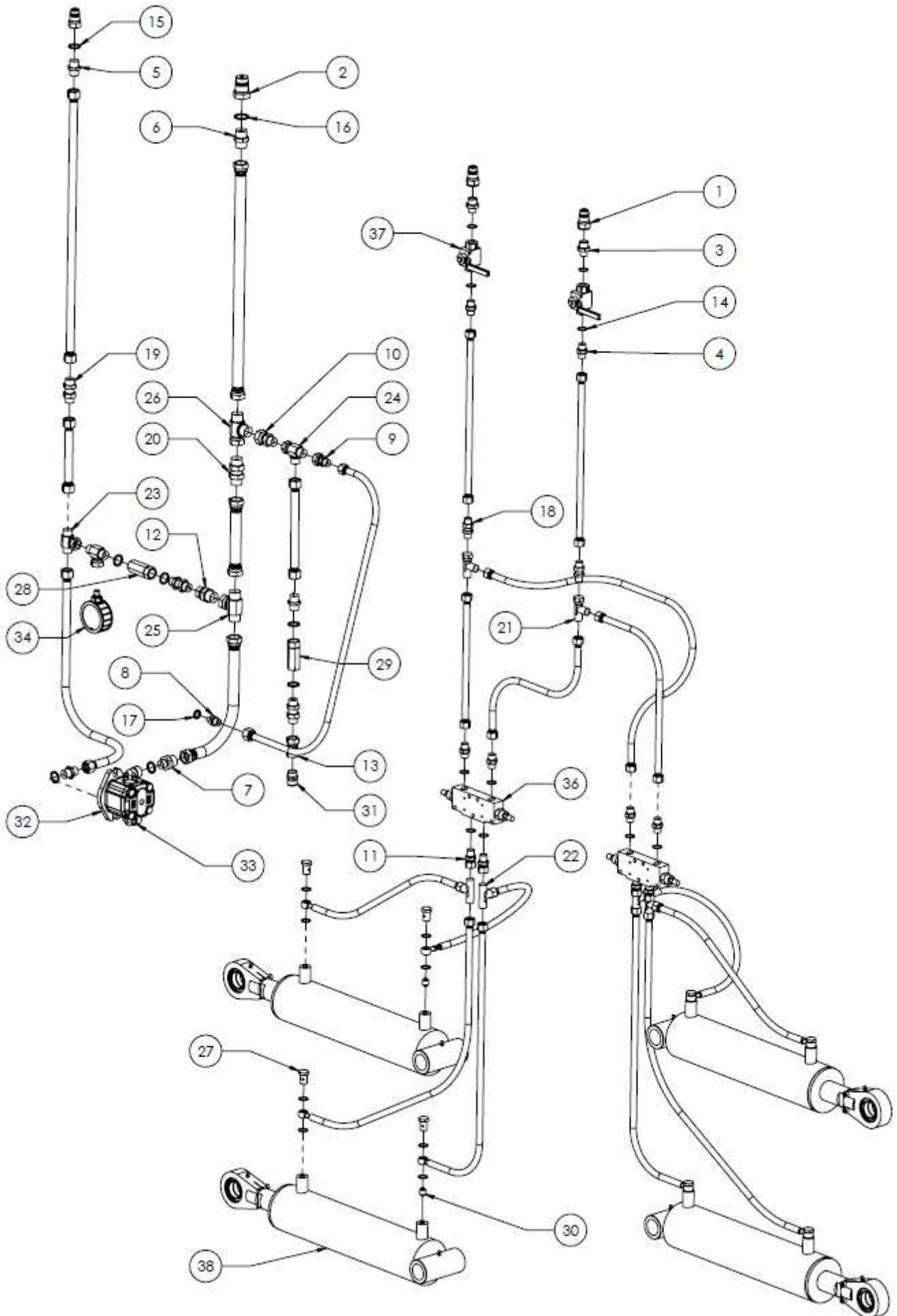
<b>CIRCUIT FREINAGE</b>	<b>SCHEMA HYDRAULIQUE</b>	<b>FR</b>	<b>03/2019</b>
-------------------------	---------------------------	-----------	----------------

<b>No. ARTICLE</b>	<b>NUMERO DE PIECE</b>	<b>DESCRIPTION</b>	<b>QTE</b>	<b>TARIF</b>
1	S114.199	PRISE HYDRAULIQUE FREIN	1	
2	S113.327	VALVE FREIN URGENCE	1	
3	S107.884	VERIN FREIN	2	
4	S100.430	JOINT HYDRAULIQUE Ø19mm	3	
5	S101.951	ADAPTATEUR MALE - MALE 3/8BSP - M18x1.5mm	3	
6	S110.989	ACCUMULATEUR 0.7l 60bar	1	
7	S102.322	JOINT HYDRAULIQUE 1/2"	1	
8	S112.437	ADAPTATEUR MALE - MALE 1/2BSP - 3/8BSP	1	
9	S101.952	ADAPTATEUR MALE - MALE 3/8BSP - 3/8BSP	1	
10	S100.429	JOINT HYDRAULIQUE Ø17mm	4	
11		VIS BANJO 3/8 BSP	1	
12		VIS BANJO DOUBLE 3/8 BSP	1	



<b>CIRCUIT ELEMENT</b>	<b>SCHEMA HYDRAULIQUE</b>	<b>FR</b>	<b>03/2019</b>
------------------------	---------------------------	-----------	----------------

<b>No. ARTICLE</b>	<b>NUMERO DE PIECE</b>	<b>DESCRIPTION</b>	<b>QTE</b>	<b>TARIF</b>
1	S101.971	VANNE ♀♀ 3/8"	2	
2	S112.400	LIMITEUR DE PRESSION 3/8" 5-100b	1	
3	S112.345	REDUCTEUR DE PRESSION 3 VOIES A ACTION DIRECT	1	
4		PRESSOSTAT 3/8" 0-100b	1	
5	S112.436	CLAPET ANTI-RETOUR 3/8" 0.5b	2	
6	S100.330	ACCUMULATEUR 0.7L	1	
7	S103.010	MANOMETRE 0-250b	1	
8	S109.958	VERIN ELEMENT	1 / rg	
9	S102.321	PUSH PULL ♂entrée ♀1/2"	2	
10	S101.952	RACCORD DROIT ♂♂ 3/8"	7	
11	S101.952	RACCORD DROIT ♂♂ 3/8"	(Nb rg x 4)-8	
12	100.429	JOINT 3/8"	14	
13	100.429	JOINT 3/8"	(Nb rg x 4)-8	
14	S103.095	T ♂♀♂ 3/8"	9	
15	S112.434	T ♂♀♀ 3/8"	1	
16	S112.435	T ♂♂♂ 3/8"	1	
17	S114.165	RACCORD DROIT ♂♀ 3/8"	3	
18	S106.553	RACCORD DROIT ♀♀ 3/8"	3	
19	S112.433	CROIX ♂♂♂♂ 3/8"	4	
20	S101.975	PASSE CLOISON ♂♂ 3/8"	11	
21		RACCORD DROIT ♂1/2" ♂3/8"	3	
22	S112.402	RACCORD COUDE 90° ♀♀ 3/8"	1	
23	S112.432	RACCORD COUDE 90° ♂♀ 3/8"	1	



REPLIAGE + TURBINE	SCHEMA HYDRAULIQUE	FR	03/2019
--------------------	--------------------	----	---------

No. ARTICLE	NUMERO DE PIECE	DESCRIPTION	QTE	TARIF
1		PUSH PULL ♂entré ♀1/2" BSP	3	
2		PUSH PULL ♂entré ♀3/4" BSP	1	
3		RACCORD DROIT ♂1/2" ♂3/8" BSP	2	
4	S101.952	RACCORD DROIT ♂♂3/8" BSP	7	
5		RACCORD DROIT ♂♂1/2" BSP	2	
6		RACCORD DROIT ♂♂3/4" BSP	2	
7		RACCORD DROIT ♂1/2" ♂3/4" BSP	1	
8		RACCORD DROIT ♂1/4" ♂3/8" BSP	1	
9		RACCORD DROIT ♀1/2" ♂3/8" BSP	1	
10		RACCORD DROIT ♂1/2" ♀3/4" BSP	1	
11		RACCORD ROIT ♂♀3/8" BSP	4	
12		RACCORD DROIT ♂3/4" ♀1/2" BSP	1	
13		RACCORD DROIT ♀♀1/2" BSP	1	
14	S100.429	JOINT BS 17 (3/8" BSP)	28	
15		JOINT BS (1/2" BSP)	8	
16		JOINT BS (3/4" BSP)	3	
17		JOINT BS (1/4" BSP)	1	
18	S101.975	PASSE CLOISON ♂♂3/8" BSP	2	
19		PASSE CLOISON ♂♂1/2" BSP	3	
20		PASSE CLOISON ♂♂3/4" BSP	1	
21	S114.153	T ♀♂♂ 3/8" BSP	2	
22	S112.435	T ♂♂♂ 3/8" BSP	4	
23		T ♂♀♂ 1/2" BSP	2	
24		T ♀♂♂ 1/2" BSP	1	
25		T ♂♀♂ 3/4" BSP	1	
26		T ♀♂♂ 3/4" BSP	1	
27		VIS BANJO SIMPLE	8	
28		CLAPET ♀♀ 1/2" 0,5b	1	
29		CLAPET ♀♀ 1/2" 5b	1	
30	S109.956	CLAPET PARACHUTE 3/8" BSP	4	
31		RENIFLARD 1/2" ♂	1	
32	S105.155	MOTEUR HYDRAULIQUE 6ccm	1	
33	S112.227	BRIDE COUDEE 1/2"	2	
34	S103.010	MANOMETRE Ø63mm 0-250b	1	
35		PRISE PRESSION MANO	1	
36	S112.538	VANNE EQUILIBRAGE DOUBLE 3/8"	2	
37	S101.971	VANNE ROBINET 3/8" ♀♀	2	
38	S109.954	VERIN Ø100Ø50S400 ADJUSTABLE	4	